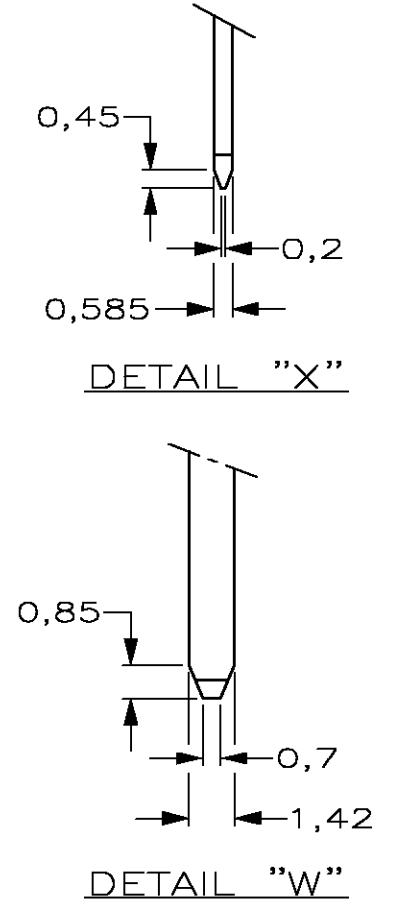
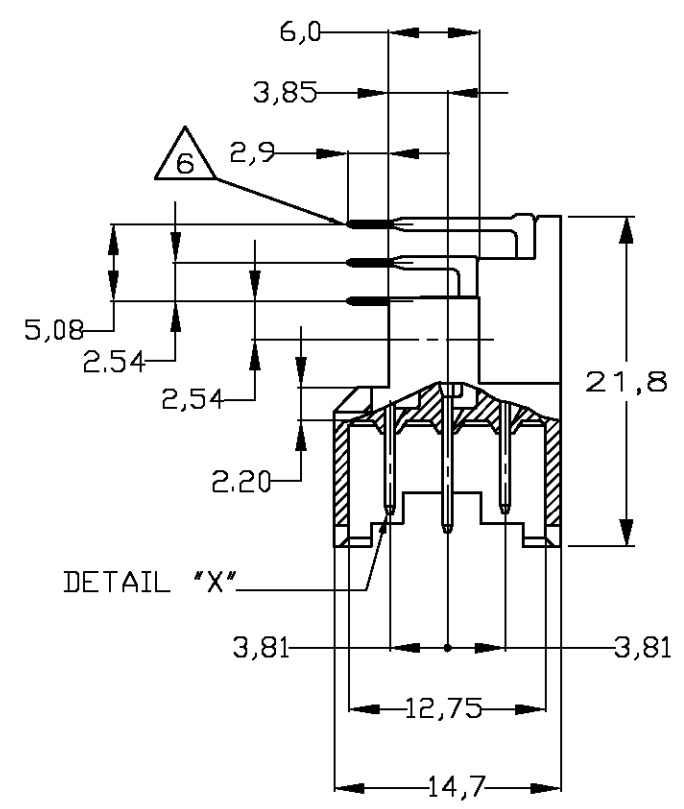
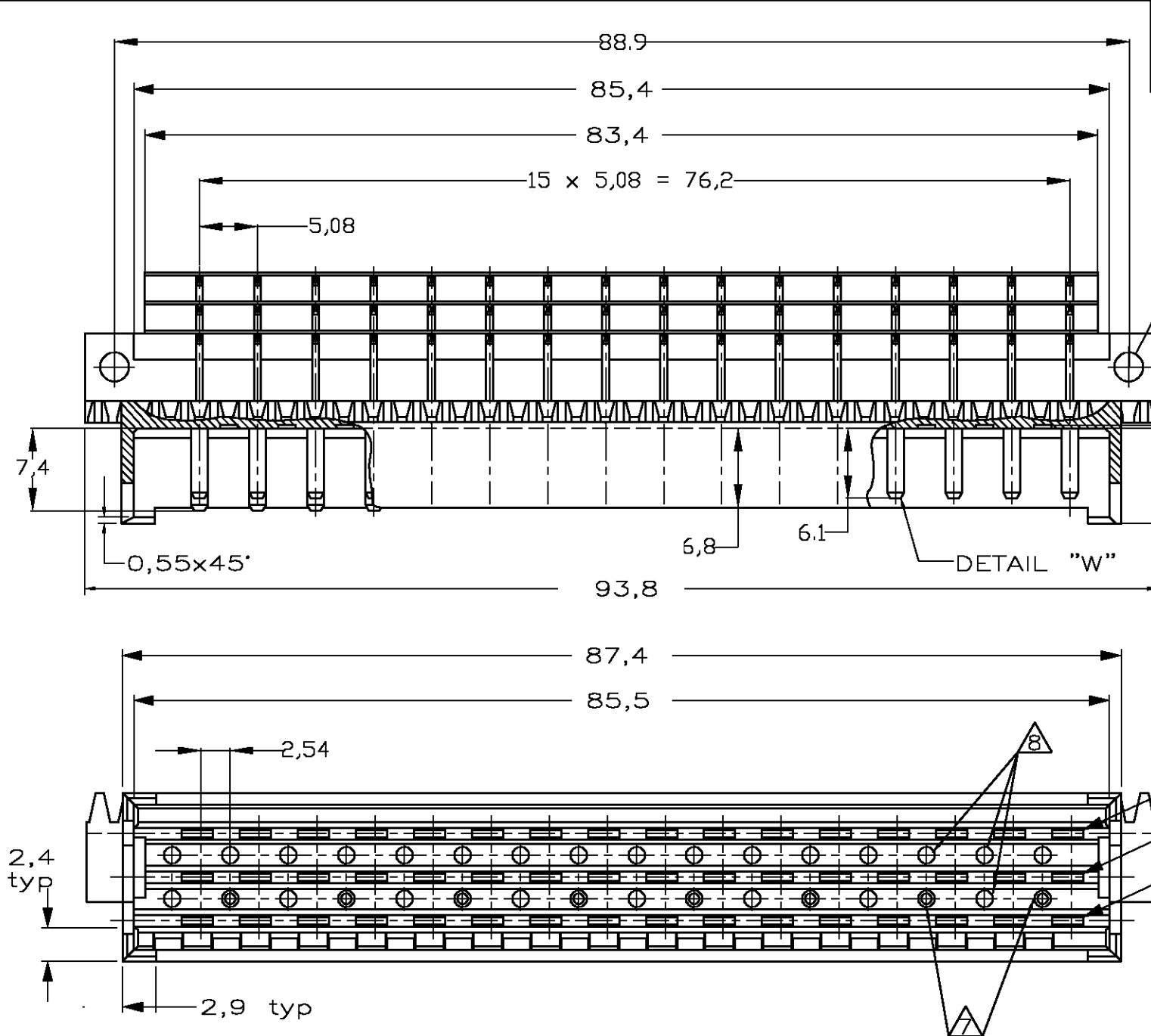
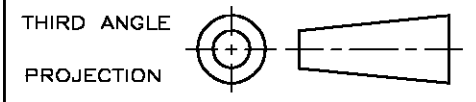


DO NOT SCALE
DIMENSIONS IN mm

METRIC



POS. NO	2	4	6	8	10	12	14	16	18	20	22	24	26	28	30	32
F 48 ROW	N	X	X	X	X	X	X	X	X	X	X	X	X	X	X	X
	Q	⊗	⊗	⊗	⊗	⊗	⊗	⊗	⊗	⊗	⊗	⊗	⊗	⊗	⊗	⊗
	U	X	X	X	X	X	X	X	X	X	X	X	X	X	X	X

AN ASTERISK „X” DENOTES A STANDARD CONTACT.
AN ASTERISK „⊗” DENOTES A FMLB CONTACT.

- NOTES
- 1 MATERIAL:
-HOUSING: THERMOPLASTIC POLYESTER, COLOR GREY.
-CONTACTS: BRASS.
 - 2
 - 3 PLATING CONTACT: CONFIRMS TO IEC 60603-2 PERFORMANCE LEVEL II REQUIREMENT IN CONTACT AREA, Sn OVER Ni IN SOLDER POST
 - 4
 - 5
 - 6 SOLDER POSTS SUITABLE FOR P.C.B. HOLES
0,8±0,05 OR 1,0±0,1 DIA.
 - 7 8 HOLES SUITABLE FOR KEYING PIN PN. 215916-1.
 - 8 KEYING HOLES TO BE DRILLED BY CUSTOMER.

SEE NOTE 1	SEE NOTE 3	1392406-4
------------	------------	-----------

		FINISH	MATERIAL	PARTNUMBER
CUSTOMER DRAWING FOR REFERENCE ONLY WILL NOT BE UPDATED				
© COPYRIGHT 19 - BY Tyco Electronics EC N.V. ALL INTERNATIONAL RIGHTS RESERVED. Tyco PRODUCTS MAY BE COVERED BY U.S. AND FOREIGN AND/OR PATENTS PENDING. THIS DRAWING IS UNPUBLISHED RELEASED FOR PUBLICATION _____, 19 _____				
B	PER ECO-17-002455	SY	SY	22FEB'17
A	SR10-0419-02	BC	BC	20 Sep '02
O	-	BC	BC	18 Sep '02
LTR.	REVISION RECORD	DR.	CHK.	DATE
DR.: B. Colpoert	CHK.: B. Colpoert	APP.: B. Colpoert	DWG.No. C-1392406	
DATE: -	DATE: -	DATE: -	REV.LTR. B	SHEET 1 OF 1 A3

8 7 6 5 4 3 2 1