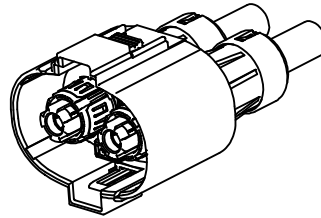
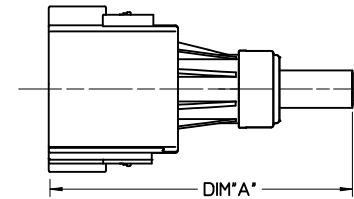


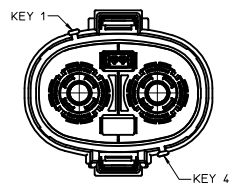
DOUBLE ENDED ASSEMBLY			SINGLE ENDED ASSEMBLY		
PART NUMBER	KEYING OPTION	DIM "A"	PART NUMBER	KEYING OPTION	DIM "A"
171466-2001	A	.50M±20.0MM	171466-1001	A	.50M±20.0MM
171466-2002	B		171466-1002	B	
171466-2011	A	1.0M±30.0MM	171466-1011	A	1.0M±30.0MM
171466-2012	B		171466-1012	B	
171466-2021	A	1.5M±40.0MM	171466-1021	A	1.5M±40.0MM
171466-2022	B		171466-1022	B	
171466-2031	A	2.0M±50.0MM	171466-1031	A	2.0M±50.0MM
171466-2032	B		171466-1032	B	
171466-2041	A	3.0M±50.0MM	171466-1041	A	3.0M±50.0MM
171466-2042	B		171466-1042	B	



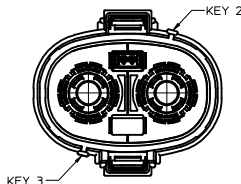
- NOTES:
- MATERIAL:  
MAIN HOUSING: PBT UV STABILIZED COLOR: ORANGE  
POWER TERMINALS: COPPER  
HVIL TERMINALS: COPPER ALLOY
  - FINISH:  
POWER TERMINALS: SILVER OVER NICKEL PLATING  
HVIL TERMINALS: TIN OVER NICKEL WITH SELECT GOLD PLATING
  - CABLE FOR POWER TERMINALS: CHAMPLAIN EXTRAD-FXS 1/0X WITH EMI SHIELD
  - WIRE FOR HVIL TERMINALS: 18 GAGE TXL STRANDED WIRE
  - MATES WITH HEADER ASSEMBLY SERIES 171467-1\*\*\*
  - PRODUCT SPECIFICATION: PS-171467-001
  - APPLICATION SPECIFICATION: AS-171467-001



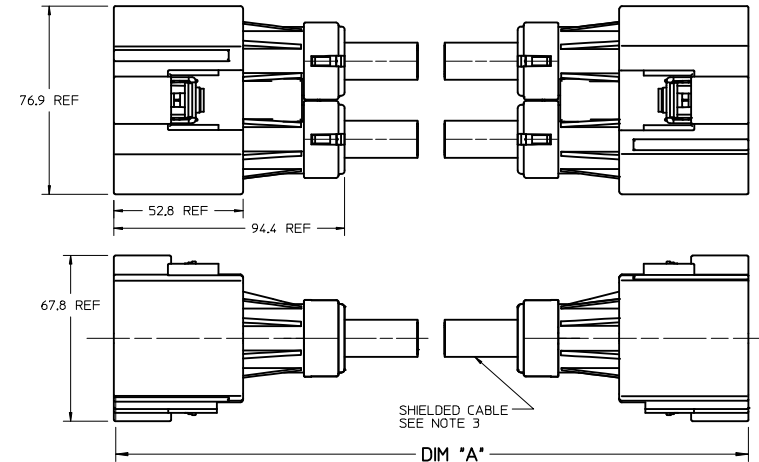
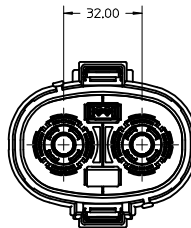
SINGLE ENDED HARNESS ASSEMBLY



OPTION A  
KEYING 1-4  
MOLEX STANDARD  
KEY VERSION



OPTION B  
KEYING 2-3

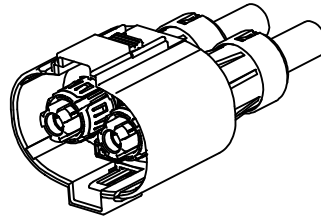


DOUBLE ENDED HARNESS ASSEMBLY

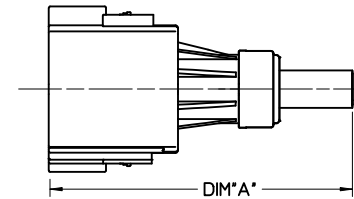
USE OF THIS PRODUCT REQUIRES THAT APPROPRIATE HIGH VOLTAGE WARNING LABELS BE APPLIED TO THE CABLE ASSEMBLY AND/OR IN CLOSE PROXIMITY OF THE MATED CONNECTOR APPLICATION IN A MANNER THAT PROVIDES SUITABLE WARNING TO THE END USER AND MEETS APPLICABLE LAWS. IT IS THE RESPONSIBILITY OF THE OEM OR MANUFACTURER OF THE PRODUCT IN WHICH THIS CONNECTOR SYSTEM IS USED TO APPLY THE APPROPRIATE HIGH VOLTAGE WARNING LABEL(S) TO THE FINAL PRODUCT. TO THE EXTENT MOLEX IS NOT RESPONSIBLE FOR THE FINAL CABLE ASSEMBLY, MOLEX DISCLAIMS ALL WARRANTIES AND LIABILITY THAT RESULT FROM A FAILURE TO PROVIDE AN APPROPRIATE WARNING.

<b>REVISED NOTE</b> EC NO: UCP2015-2891 DRAWN: OUILLES 2015/01/19 CHK: MDATA 2015/01/19 APPR: APATEL 2015/01/29	DESCRIPTION HARNESS ASSEMBLY	QUALITY SYMBOLS ∇=0 ∇=0 ∇=0	GENERAL TOLERANCES (UNLESS SPECIFIED): <table border="1"> <thead> <tr> <th></th> <th>mm</th> <th>INCH</th> </tr> </thead> <tbody> <tr> <td>4 PLACES</td> <td>±.15</td> <td>±.005</td> </tr> <tr> <td>3 PLACES</td> <td>±.20</td> <td>±.008</td> </tr> <tr> <td>2 PLACES</td> <td>±.30</td> <td>±.012</td> </tr> <tr> <td>1 PLACE</td> <td>±.40</td> <td>±.016</td> </tr> </tbody> </table>		mm	INCH	4 PLACES	±.15	±.005	3 PLACES	±.20	±.008	2 PLACES	±.30	±.012	1 PLACE	±.40	±.016	DIMENSION STYLE <b>MM ONLY</b>	SCALE <b>1:1</b>	DESIGN UNITS <b>METRIC</b>	THIRD ANGLE PROJECTION
			mm	INCH																		
4 PLACES	±.15	±.005																				
3 PLACES	±.20	±.008																				
2 PLACES	±.30	±.012																				
1 PLACE	±.40	±.016																				
DRAFT WHERE APPLICABLE MUST REMAIN WITHIN DIMENSIONS	MATERIAL NO. <b>SEE CHART</b>	DATE 2012/04/11	DATE 2011/12/07 2011/12/20	TITLE <b>HARNESS ASSEMBLY 2 CIRCUIT IMPERIUM</b>	MOLEX INCORPORATED	SHEET NO. <b>1 OF 1</b>																

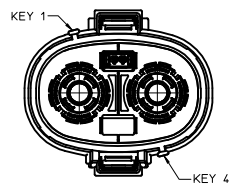
DOUBLE ENDED ASSEMBLY			SINGLE ENDED ASSEMBLY		
PART NUMBER	KEYING OPTION	DIM "A"	PART NUMBER	KEYING OPTION	DIM "A"
171466-2001	A	.50M±20.0MM	171466-1001	A	.50M±20.0MM
171466-2002	B		171466-1002	B	
171466-2011	A	1.0M±30.0MM	171466-1011	A	1.0M±30.0MM
171466-2012	B		171466-1012	B	
171466-2021	A	1.5M±40.0MM	171466-1021	A	1.5M±40.0MM
171466-2022	B		171466-1022	B	
171466-2031	A	2.0M±50.0MM	171466-1031	A	2.0M±50.0MM
171466-2032	B		171466-1032	B	
171466-2041	A	3.0M±50.0MM	171466-1041	A	3.0M±50.0MM
171466-2042	B		171466-1042	B	



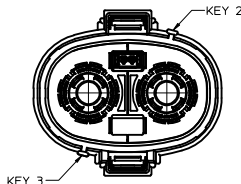
- NOTES:
- MATERIAL:  
MAIN HOUSING: PBT UV STABILIZED COLOR: ORANGE  
POWER TERMINALS: COPPER  
HVIL TERMINALS: COPPER ALLOY
  - FINISH:  
POWER TERMINALS: SILVER OVER NICKEL PLATING  
HVIL TERMINALS: TIN OVER NICKEL WITH SELECT GOLD PLATING
  - CABLE FOR POWER TERMINALS: CHAMPLAIN EXTRAD-FXS 1/0X WITH EMI SHIELD
  - WIRE FOR HVIL TERMINALS: 18 GAGE TXL STRANDED WIRE
  - MATES WITH HEADER ASSEMBLY SERIES 171467-1\*\*\*
  - PRODUCT SPECIFICATION: PS-171467-001
  - APPLICATION SPECIFICATION: AS-171467-001



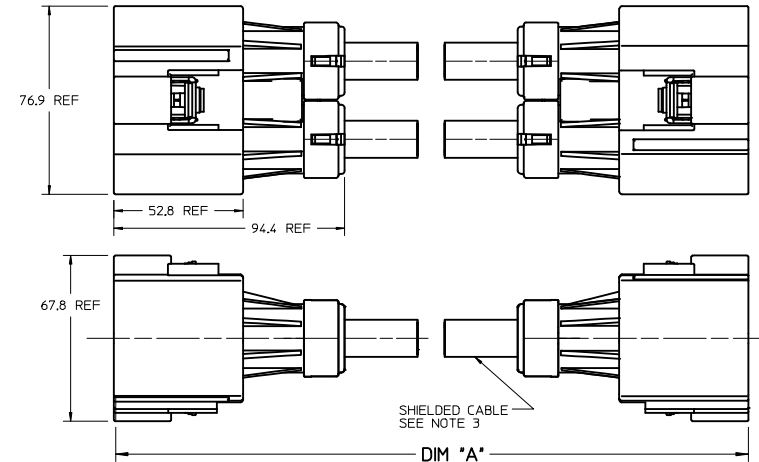
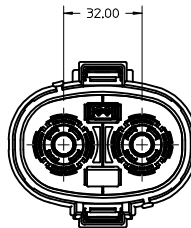
SINGLE ENDED HARNESS ASSEMBLY



OPTION A  
KEYING 1-4  
MOLEX STANDARD  
KEY VERSION



OPTION B  
KEYING 2-3



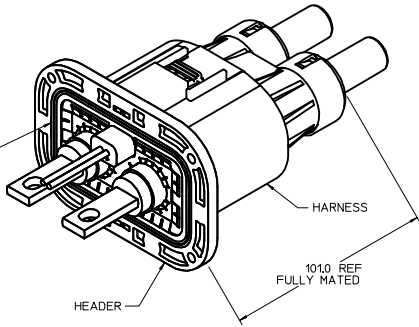
DOUBLE ENDED HARNESS ASSEMBLY

USE OF THIS PRODUCT REQUIRES THAT APPROPRIATE HIGH VOLTAGE WARNING LABELS BE APPLIED TO THE CABLE ASSEMBLY AND/OR IN CLOSE PROXIMITY OF THE MATED CONNECTOR APPLICATION IN A MANNER THAT PROVIDES SUITABLE WARNING TO THE END USER AND MEETS APPLICABLE LAWS. IT IS THE RESPONSIBILITY OF THE OEM OR MANUFACTURER OF THE PRODUCT IN WHICH THIS CONNECTOR SYSTEM IS USED TO APPLY THE APPROPRIATE HIGH VOLTAGE WARNING LABEL(S) TO THE FINAL PRODUCT. TO THE EXTENT MOLEX IS NOT RESPONSIBLE FOR THE FINAL CABLE ASSEMBLY, MOLEX DISCLAIMS ALL WARRANTIES AND LIABILITY THAT RESULT FROM A FAILURE TO PROVIDE AN APPROPRIATE WARNING.

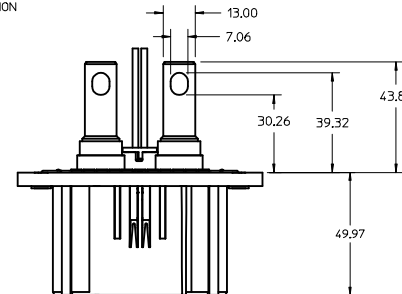
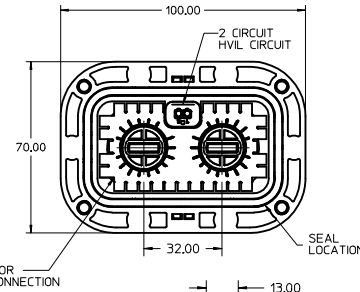
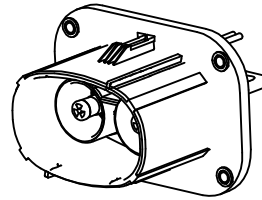
<b>REVISED NOTE</b> EC NO: UCP2015-2891 DRAWN: OUILLES 2015/01/19 CHK: MDATA 2015/01/19 APPR: APATEL 2015/01/29	DESCRIPTION HARNESS ASSEMBLY	QUALITY SYMBOLS ▽=0 ▽=0 ▽=0	GENERAL TOLERANCES (UNLESS SPECIFIED): <table border="1"> <thead> <tr> <th></th> <th>mm</th> <th>INCH</th> </tr> </thead> <tbody> <tr> <td>4 PLACES</td> <td>±.01</td> <td>±.0004</td> </tr> <tr> <td>3 PLACES</td> <td>±.02</td> <td>±.0008</td> </tr> <tr> <td>2 PLACES</td> <td>±0.60</td> <td>±.0236</td> </tr> <tr> <td>1 PLACE</td> <td>±0.9</td> <td>±.0354</td> </tr> </tbody> </table>		mm	INCH	4 PLACES	±.01	±.0004	3 PLACES	±.02	±.0008	2 PLACES	±0.60	±.0236	1 PLACE	±0.9	±.0354	DIMENSION STYLE <b>MM ONLY</b>	SCALE <b>1:1</b>	DESIGN UNITS <b>METRIC</b>	THIRD ANGLE PROJECTION
			mm	INCH																		
4 PLACES	±.01	±.0004																				
3 PLACES	±.02	±.0008																				
2 PLACES	±0.60	±.0236																				
1 PLACE	±0.9	±.0354																				
DRAFT WHERE APPLICABLE MUST REMAIN WITHIN DIMENSIONS	MATERIAL NO. <b>SEE CHART</b>	DATE 2012/04/11	DATE 2011/12/07 2011/12/20	TITLE <b>HARNESS ASSEMBLY 2 CIRCUIT IMPERIUM</b>	MOLEX INCORPORATED	DOCUMENT NO. <b>SD-171466-1000</b>	SHEET NO. <b>1 OF 1</b>															

PART NUMBER	KEYING OPTION
171467-1001	A
171467-1002	B

MAIN PANEL SEAL MUST BE FULLY SEATED IN SEAL CAVITY BEFORE ATTACHMENT TO PANEL

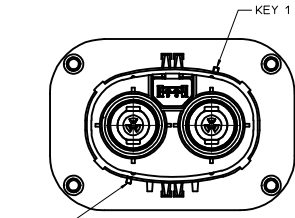


HEADER MATED TO HARNESS

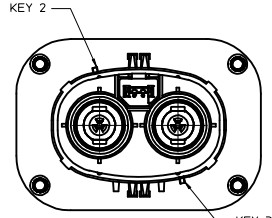


NOTES:

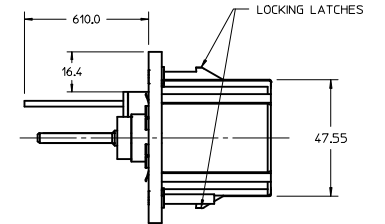
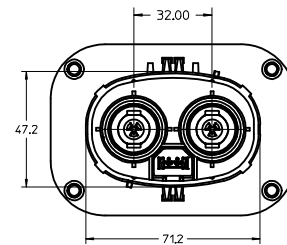
- MATERIAL:  
MAIN HOUSING: POLYESTER 94V-0 (OPTIONAL UV STABILIZED)  
COLOR: ORANGE  
POWER TERMINALS: COPPER  
HVIL TERMINALS: COPPER ALLOY
- FINISH:  
POWER TERMINALS: SILVER OVER NICKEL PLATING  
HVIL TERMINALS: TIN OVER NICKEL PLATING
- WIRE FOR HVIL TERMINALS: 18 GAGE TXL AUTOMOTIVE GRADE STRANDED WIRE
- MATES WITH HARNESS ASSEMBLY SERIES 171466-1\*\*\*
- ATTACH HEADER WITH SCREWS TO PANEL PER MOLEX APPLICATION SPEC
- PRODUCT SPECIFICATION: PS-171467-001
- APPLICATION SPECIFICATION: AS-171467-001
- PACKAGING SPECIFICATION: PK-171467-999
- SHIELD MATING SURFACE WITHIN THE KEEP OUT ZONE MUST BE A CLEAN SURFACE WITH TIN OR NICKEL PLATING
- BUS BAR AND MOUNTING HARDWARE TO BE OVERALL TIN PLATED



OPTION A  
KEYING 1-4  
MOLEX STANDARD  
KEYIN VERSION

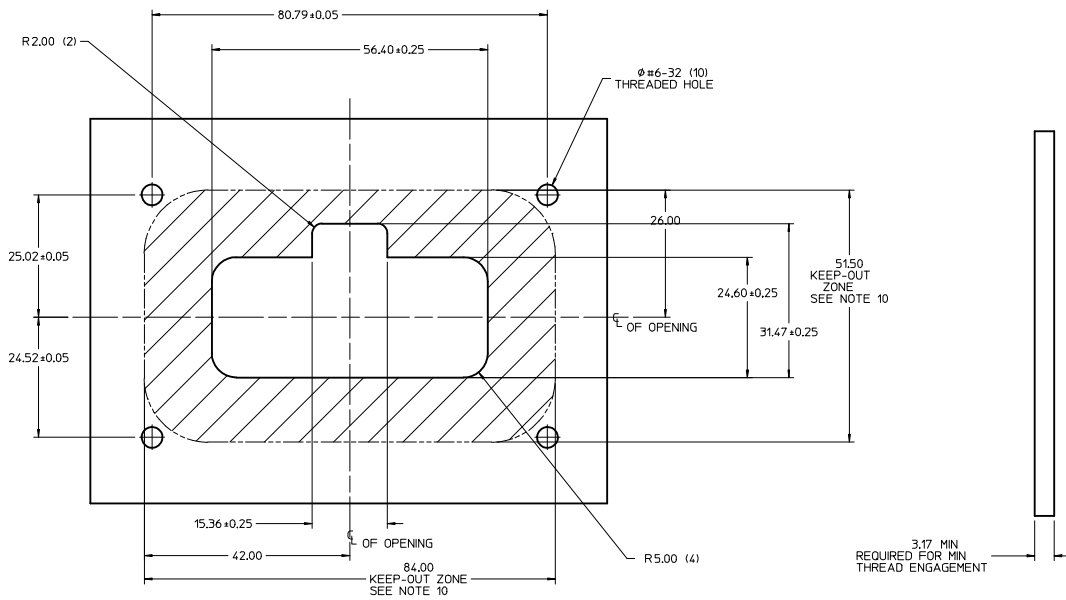


OPTION B  
KEYING 2-3

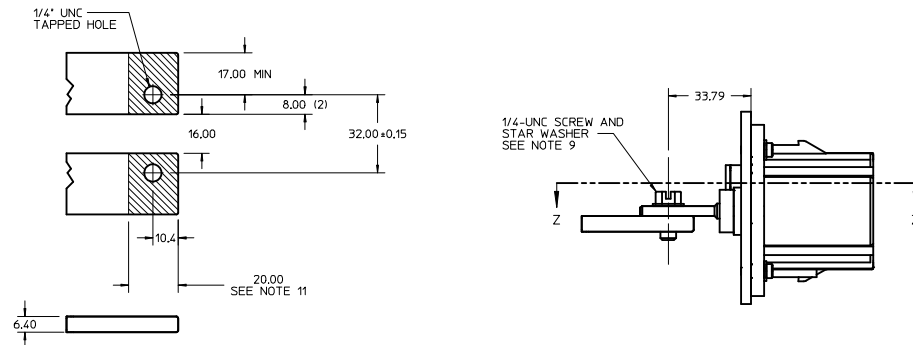


USE OF THIS PRODUCT REQUIRES THAT APPROPRIATE HIGH VOLTAGE WARNING LABELS BE APPLIED TO THE CABLE ASSEMBLY AND/OR IN CLOSE PROXIMITY OF THE MATED CONNECTOR APPLICATION IN A MANNER THAT PROVIDES SUITABLE WARNING TO THE END USER AND MEETS APPLICABLE LAWS. IT IS THE RESPONSIBILITY OF THE OEM OR MANUFACTURER OF THE PRODUCT IN WHICH THIS CONNECTOR SYSTEM IS USED TO APPLY THE APPROPRIATE HIGH VOLTAGE WARNING LABEL(S) TO THE FINAL PRODUCT. TO THE EXTENT MOLEX IS NOT RESPONSIBLE FOR THE FINAL CABLE ASSEMBLY, MOLEX DISCLAIMS ALL WARRANTIES AND LIABILITY THAT RESULT FROM A FAILURE TO PROVIDE AN APPROPRIATE WARNING.

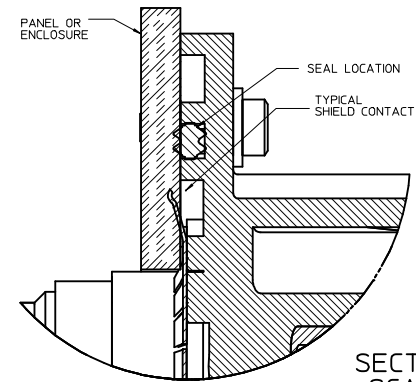
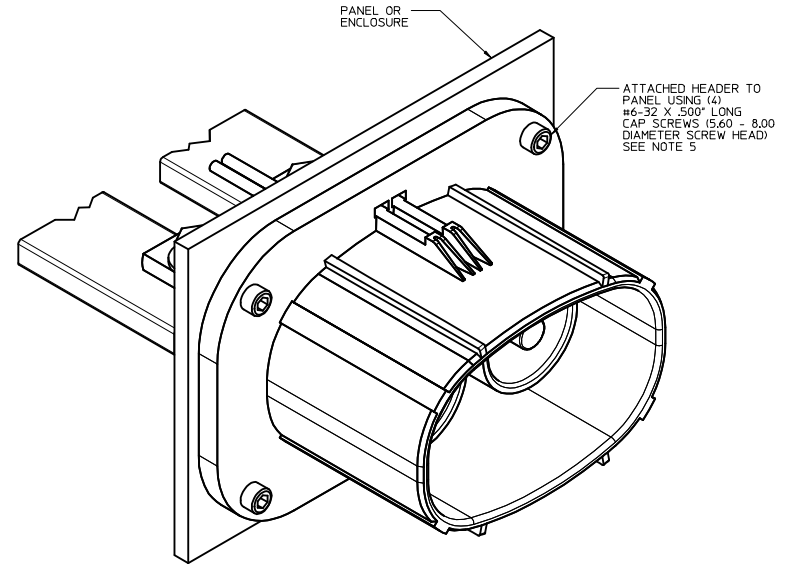
REVISED PIN LOCATION IEC NO: UCP2017-1062 DRAWN BY: MDATA CHKD: APPR: APATEL DESCRIPTION: 2016/10/21	QUALITY SYMBOLS	GENERAL TOLERANCES (UNLESS SPECIFIED)	DIMENSION STYLE	SCALE	DESIGN UNITS	THIRD ANGLE PROJECTION
	▽=0	mm INCH	MM ONLY	1:1	METRIC	⊙
	▽=0	4 PLACES ± --- ± ---	DRAWN BY: MDATA	DATE: 2011/12/08	TITLE: HEADER ASSY PANEL MOUNT IMPERIUM	
	▽=0	3 PLACES ± --- ± ---	CHECKED BY: MDATA	DATE: 2011/12/21	MATERIAL NO. SEE CHART	
	2 PLACES ± 0.60 ± ---	1 PLACE ± 0.90 ± ---	APPROVED BY: APATEL	DATE: 2012/04/11	DOCUMENT NO. SD-171467-1000	
	ANGULAR ±1/2°		DRAFT WHERE APPLICABLE MUST REMAIN WITHIN DIMENSIONS		SHEET NO. 1 OF 2	
THIS DRAWING CONTAINS INFORMATION THAT IS PROPRIETARY TO MOLEX INCORPORATED AND SHOULD NOT BE USED WITHOUT WRITTEN PERMISSION						



PANEL REQUIREMENTS  
SCALE 2:1



RECOMMENDED BUS BAR DETAIL



SECTION Z-Z  
SCALE 4:1

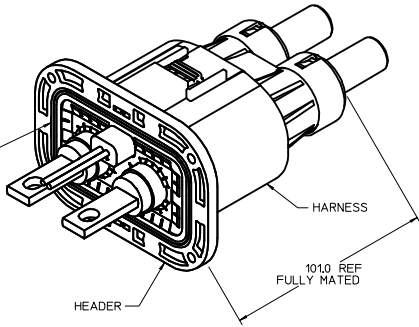
<b>SEE SHEET 1</b> IEC NO: UCP2017-1062 DRAWN BY: MDATA CHKD: APPR: APATEL DATE: 2016/12/21	QUALITY SYMBOLS	GENERAL TOLERANCES (UNLESS SPECIFIED)	DIMENSION STYLE	SCALE	DESIGN UNITS	THIRD ANGLE PROJECTION
	▽=0	mm INCH	MM ONLY	1:1	METRIC	☉
	▽=0	4 PLACES ± --- ± ---	DRAWN BY DATE			
	▽=0	3 PLACES ± --- ± ---	MDATA 2011/12/08			
	2 PLACES ± 0.60 ± ---	CHECKED BY DATE				
	1 PLACE ± 0.90 ± ---	MDATA 2011/12/21				
	ANGULAR ± 1/2°	APPROVED BY DATE				
	DRAFT WHERE APPLICABLE MUST REMAIN WITHIN DIMENSIONS	APATEL 2012/04/11				
		MATERIAL NO.	SEE CHART			
		DOCUMENT NO.				

HEADER ASSY  
PANEL MOUNT  
IMPERIUM

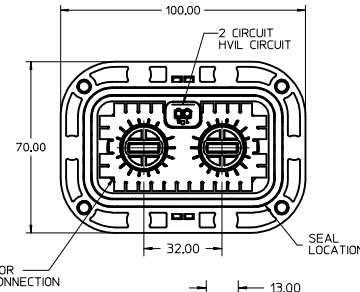
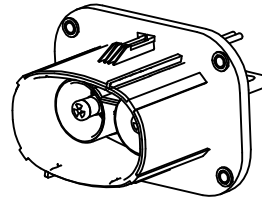
MOLEX INCORPORATED  
SD-171467-1000  
SHEET NO. 2 OF 2

PART NUMBER	KEYING OPTION
171467-1001	A
171467-1002	B

MAIN PANEL SEAL MUST BE FULLY SEATED IN SEAL CAVITY BEFORE ATTACHMENT TO PANEL

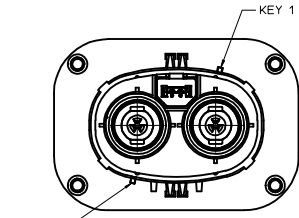


HEADER MATED TO HARNESS

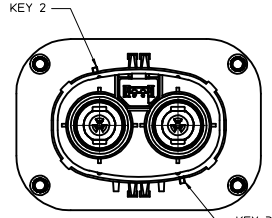


NOTES:

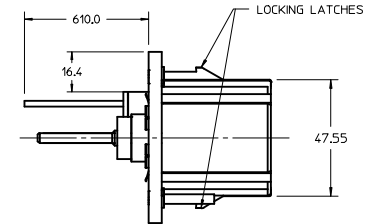
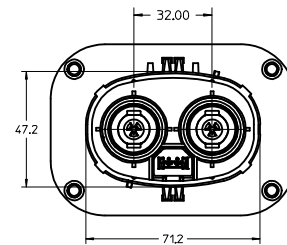
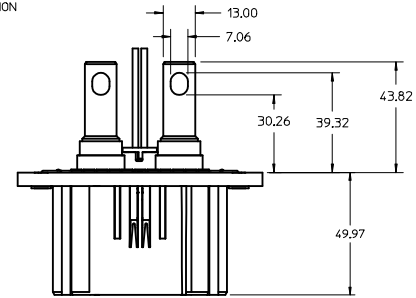
- MATERIAL:  
MAIN HOUSING: POLYESTER 94V-0 (OPTIONAL UV STABILIZED)  
COLOR: ORANGE  
POWER TERMINALS: COPPER  
HVIL TERMINALS: COPPER ALLOY
- FINISH:  
POWER TERMINALS: SILVER OVER NICKEL PLATING  
HVIL TERMINALS: TIN OVER NICKEL PLATING
- WIRE FOR HVIL TERMINALS: 18 GAGE TXL AUTOMOTIVE GRADE STRANDED WIRE
- MATES WITH HARNESS ASSEMBLY SERIES 171466-1\*\*\*
- ATTACH HEADER WITH SCREWS TO PANEL PER MOLEX APPLICATION SPEC
- PRODUCT SPECIFICATION: PS-171467-001
- APPLICATION SPECIFICATION: AS-171467-001
- PACKAGING SPECIFICATION: PK-171467-999
- SHIELD MATING SURFACE WITHIN THE KEEP OUT ZONE MUST BE A CLEAN SURFACE WITH TIN OR NICKEL PLATING
- BUS BAR AND MOUNTING HARDWARE TO BE OVERALL TIN PLATED



OPTION A  
KEYING 1-4  
MOLEX STANDARD  
KEYIN VERSION

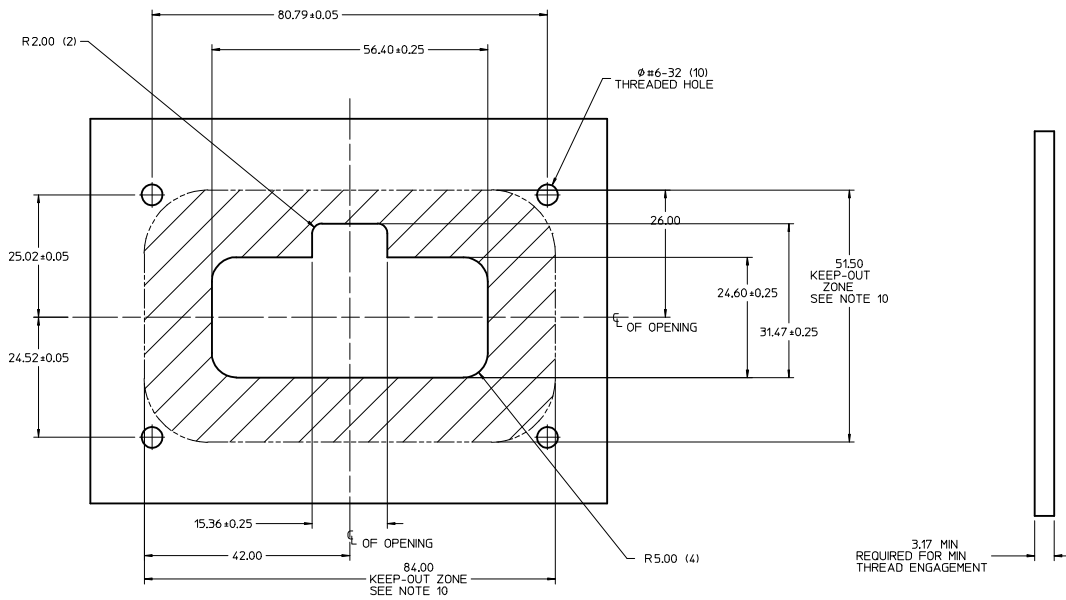


OPTION B  
KEYING 2-3

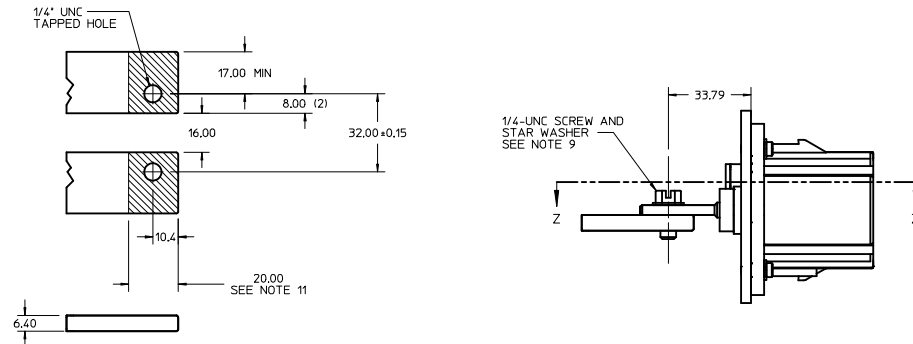


USE OF THIS PRODUCT REQUIRES THAT APPROPRIATE HIGH VOLTAGE WARNING LABELS BE APPLIED TO THE CABLE ASSEMBLY AND/OR IN CLOSE PROXIMITY OF THE MATED CONNECTOR APPLICATION IN A MANNER THAT PROVIDES SUITABLE WARNING TO THE END USER AND MEETS APPLICABLE LAWS. IT IS THE RESPONSIBILITY OF THE OEM OR MANUFACTURER OF THE PRODUCT IN WHICH THIS CONNECTOR SYSTEM IS USED TO APPLY THE APPROPRIATE HIGH VOLTAGE WARNING LABEL(S) TO THE FINAL PRODUCT. TO THE EXTENT MOLEX IS NOT RESPONSIBLE FOR THE FINAL CABLE ASSEMBLY, MOLEX DISCLAIMS ALL WARRANTIES AND LIABILITY THAT RESULT FROM A FAILURE TO PROVIDE AN APPROPRIATE WARNING.

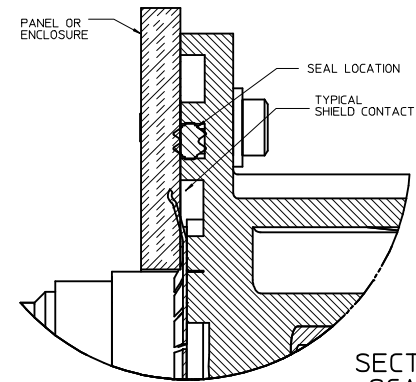
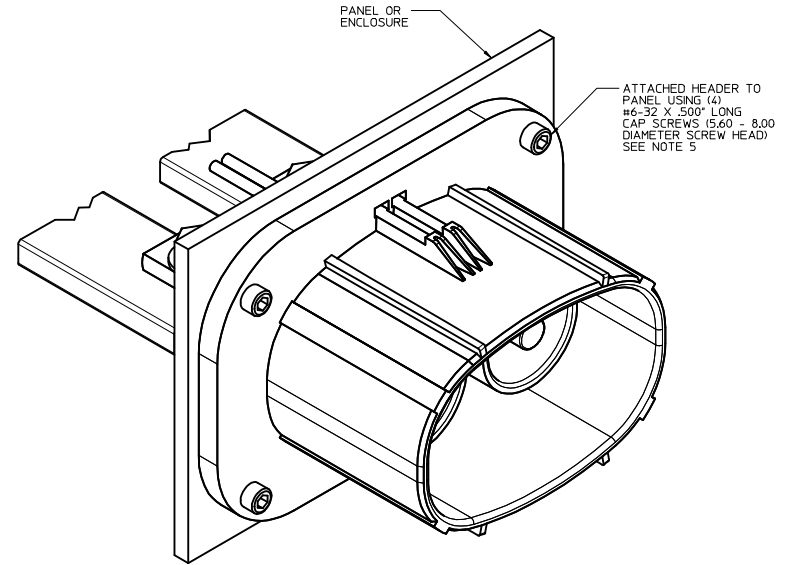
REVISED PIN LOCATION EC NO: UCP2017-1062 DRAWN BY: MDATA CHKD: MDATA APPR: APATEL REV: 1	2016/10/02	2016/10/21	QUALITY SYMBOLS ▽=0 ▽=0 ▽=0	GENERAL TOLERANCES (UNLESS SPECIFIED)		DIMENSION STYLE MM ONLY		SCALE 1:1	DESIGN UNITS METRIC	THIRD ANGLE PROJECTION	
				mm	INCH	DRAWN BY MDATA	DATE 2011/12/08	TITLE <b>HEADER ASSY PANEL MOUNT IMPERIUM</b>			
				4 PLACES ±---	±---	CHECKED BY MDATA	DATE 2011/12/21				
DRAFT WHERE APPLICABLE MUST REMAIN WITHIN DIMENSIONS				ANGULAR ±1/2°		APPROVED BY APATEL		DATE 2012/04/11	MATERIAL NO. <b>SEE CHART</b>		
						APATEL		DATE	MOLEX INCORPORATED		
						APATEL		DATE	DOCUMENT NO. <b>SD-171467-1000</b>		
						APATEL		DATE	SHEET NO. 1 OF 2		
						APATEL		DATE	THIS DRAWING CONTAINS INFORMATION THAT IS PROPRIETARY TO MOLEX INCORPORATED AND SHOULD NOT BE USED WITHOUT WRITTEN PERMISSION		



PANEL REQUIREMENTS  
SCALE 2:1



RECOMMENDED BUS BAR DETAIL



SECTION Z-Z  
SCALE 4:1

<b>SEE SHEET 1</b> IEC NO: UCP2017-1062 DRAWN BY: CHYD APPR: APATEL DATE: 2016/12/21	QUALITY SYMBOLS	GENERAL TOLERANCES (UNLESS SPECIFIED)	DIMENSION STYLE	SCALE	DESIGN UNITS	THIRD ANGLE PROJECTION
	▽=0	mm INCH	MM ONLY	1:1	METRIC	☉
	▽=0	4 PLACES ± --- ± ---	DRAWN BY: MDATA	DATE: 2011/12/08	TITLE: HEADER ASSY PANEL MOUNT IMPERIUM	<b>MOLEX INCORPORATED</b>
	▽=0	3 PLACES ± --- ± ---	CHECKED BY: MDATA	DATE: 2011/12/21	MATERIAL NO: SD-171467-1000 DOCUMENT NO: 2 OF 2	
▽=0	2 PLACES ± 0.60 ± ---	APPROVED BY: APATEL	DATE: 2012/04/11	SEE CHART THIS DRAWING CONTAINS INFORMATION THAT IS PROPRIETARY TO MOLEX INCORPORATED AND SHOULD NOT BE USED WITHOUT WRITTEN PERMISSION		