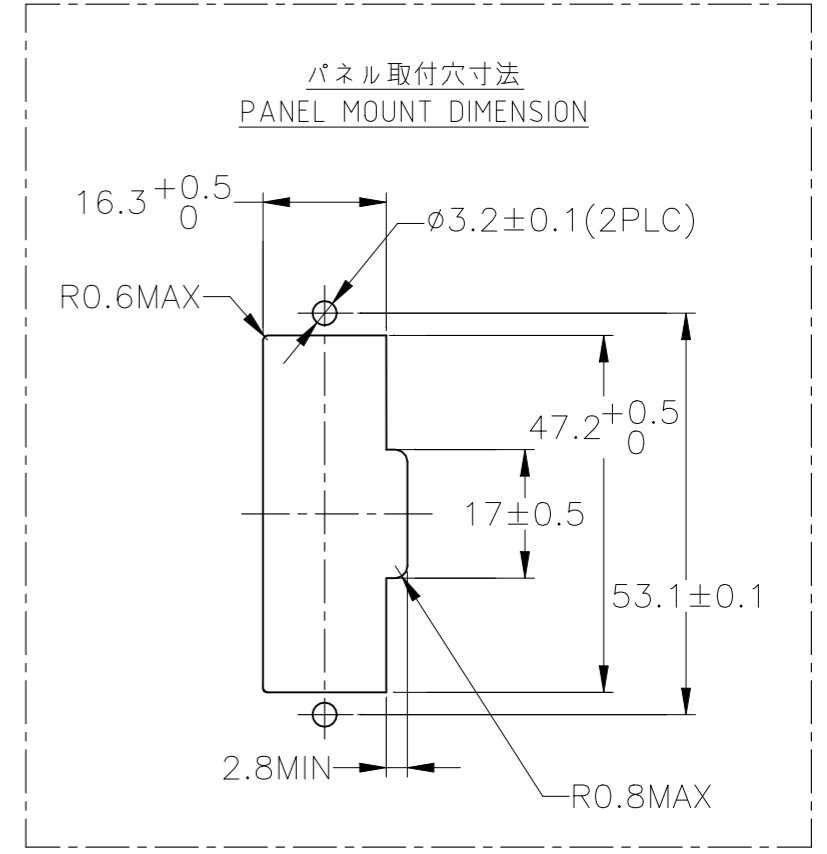
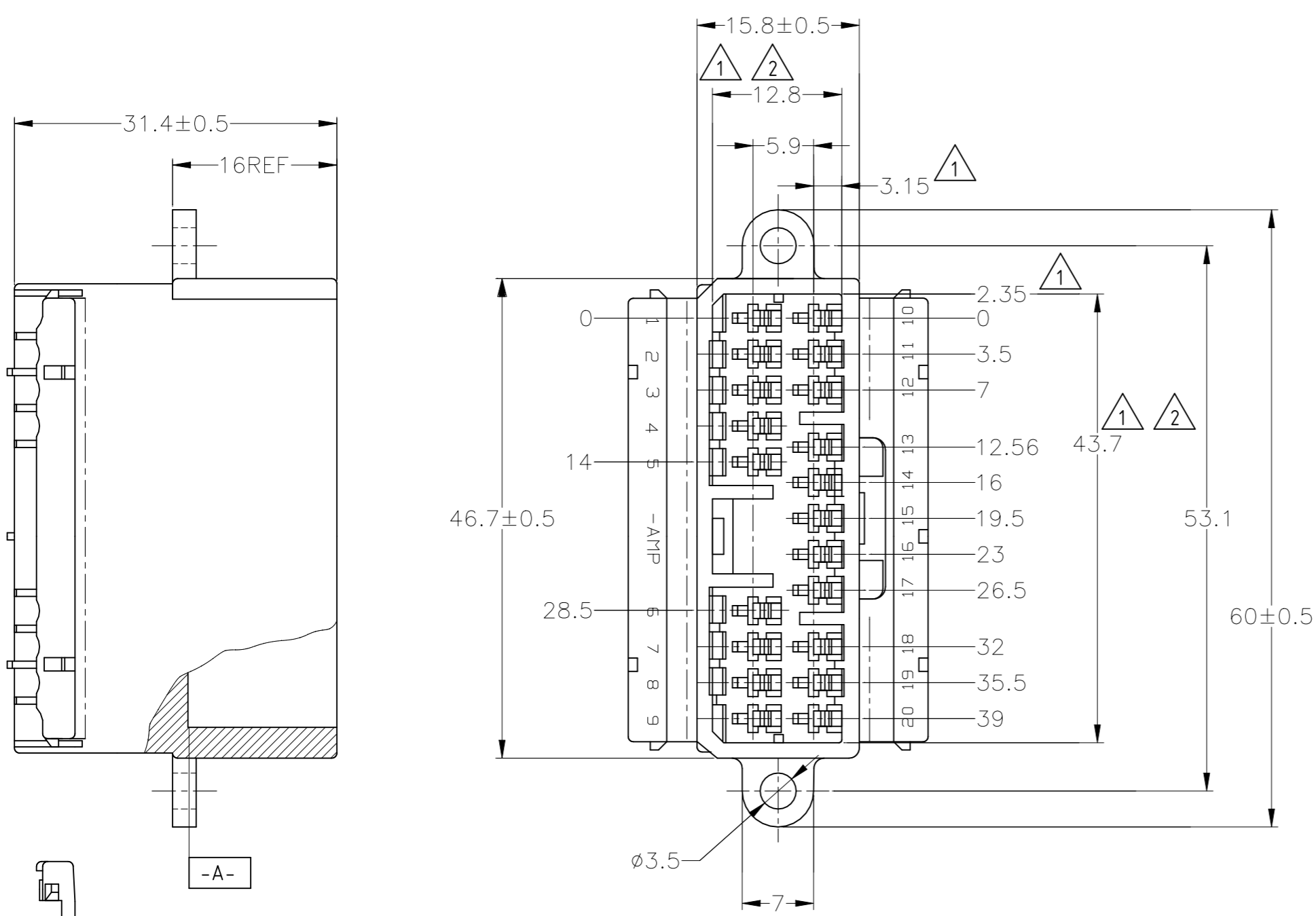
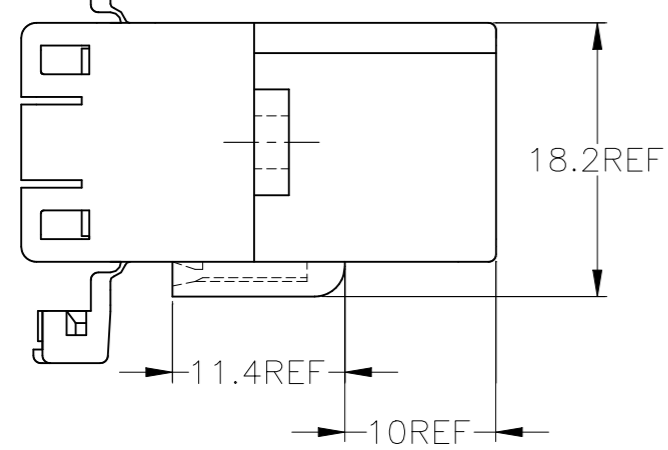


REVISIONS					
P	LTR	DESCRIPTION	DATE	DWN	APVD
	A2	REVISED PER ECR-22-154022	24NOV2022	RK	MT



- MUST BE KEPT BETWEEN **-A-** AND 2
 - TO BE MATED WITH PLUG HOUSING SMOOTHLY
 - APPLIED TAB CONTACT; P/N 173633 AND 173645
 - APPLIED PLUG HOUSING; P/N 174952 etc
- A-** 面より2mmの範囲で測定
 - 相手ハウジングと所定の機能を満足して嵌合できること
 - 内装するタブコンタクトは型番173633、173645
 - 嵌合相手ハウジング型番174952 他



	V-2	白 (WHITE)	1-174938-1
OBSOLETE		橙 (ORANGE)	174938-8
OBSOLETE	HB	白 (WHITE)	174938-1
	使用材料難燃グレード (FLAMMABILITY OF MATERIAL)	色 (COLOR)	型番 (PART NUMBER)

THIS DRAWING IS A CONTROLLED DOCUMENT.

DIMENSIONS: mm	TOLERANCES UNLESS OTHERWISE SPECIFIED:	DWN S.FUJITA 08DEC08	 TE Connectivity
	0 PLC ± -	CHK K.BETSUI 08DEC08	
	1 PLC ± -	APVD K.BETSUI 08DEC08	
MATERIAL PBT	FINISH -	PRODUCT SPEC -	

NAME: 070 SERIES MULTILOCK CONNECTOR 20POSITION CAP HOUSING WIRE TO WIRE

SIZE	CAGE CODE	DRAWING NO	RESTRICTED TO
A3	00779	C-174938	-

CUSTOMER DRAWING SCALE 2:1 SHEET 1 OF 1 REV A2

TOLERANCES UNLESS OTHERWISE SPECIFIED:

10 _±	: ±0.2
30 _±	> 10 : ±0.25
	> 30 : ±0.3
ANGLE	: ±3°