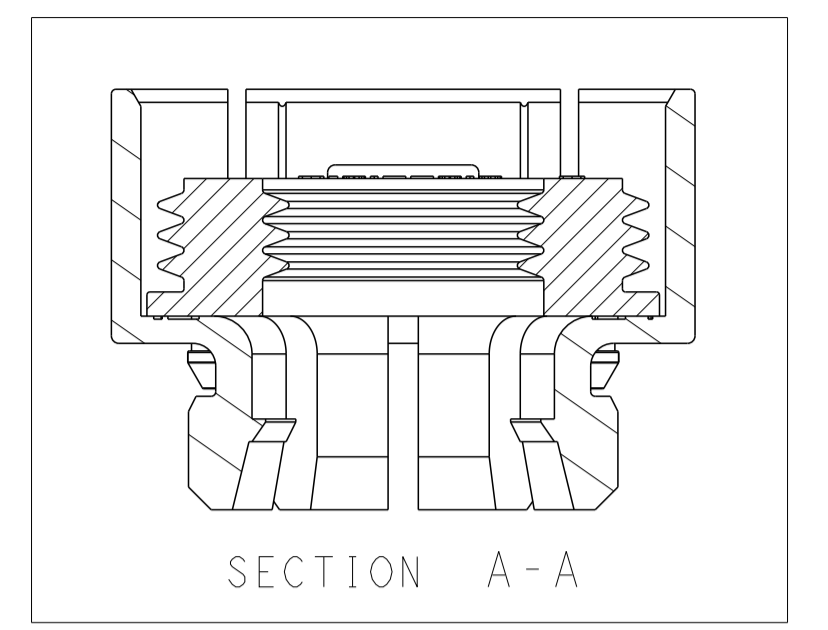
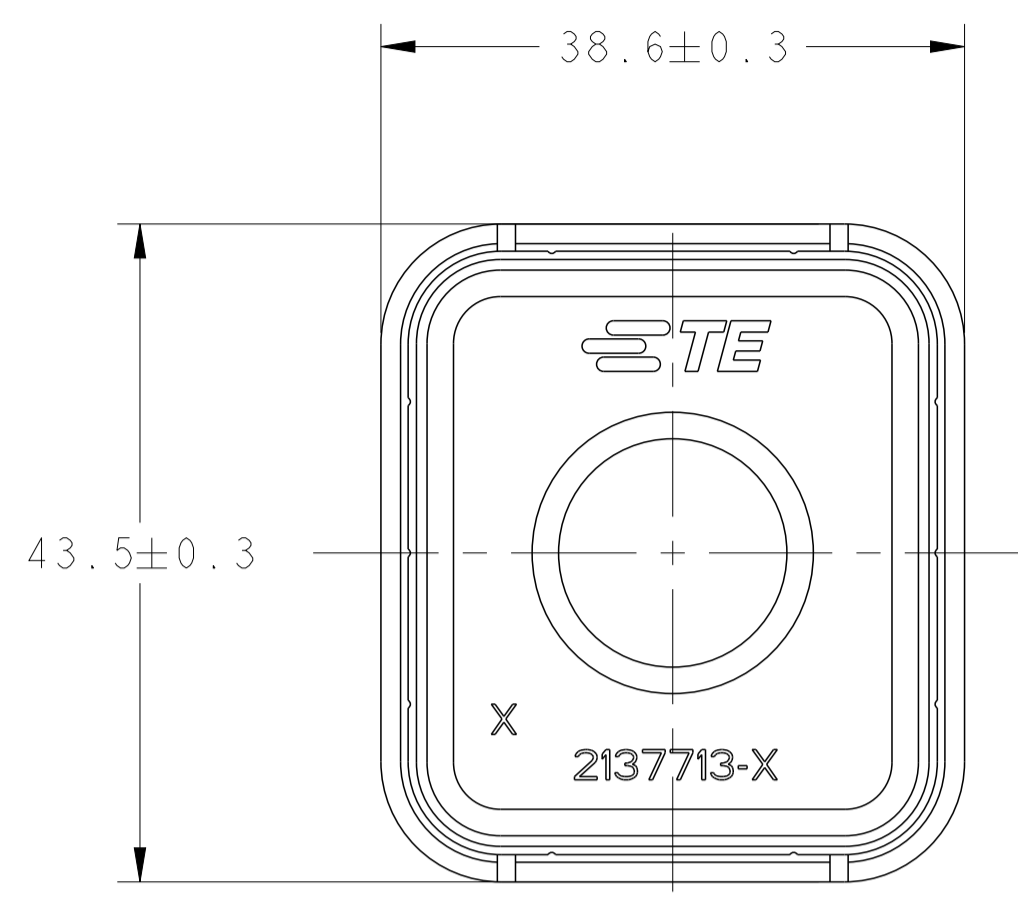
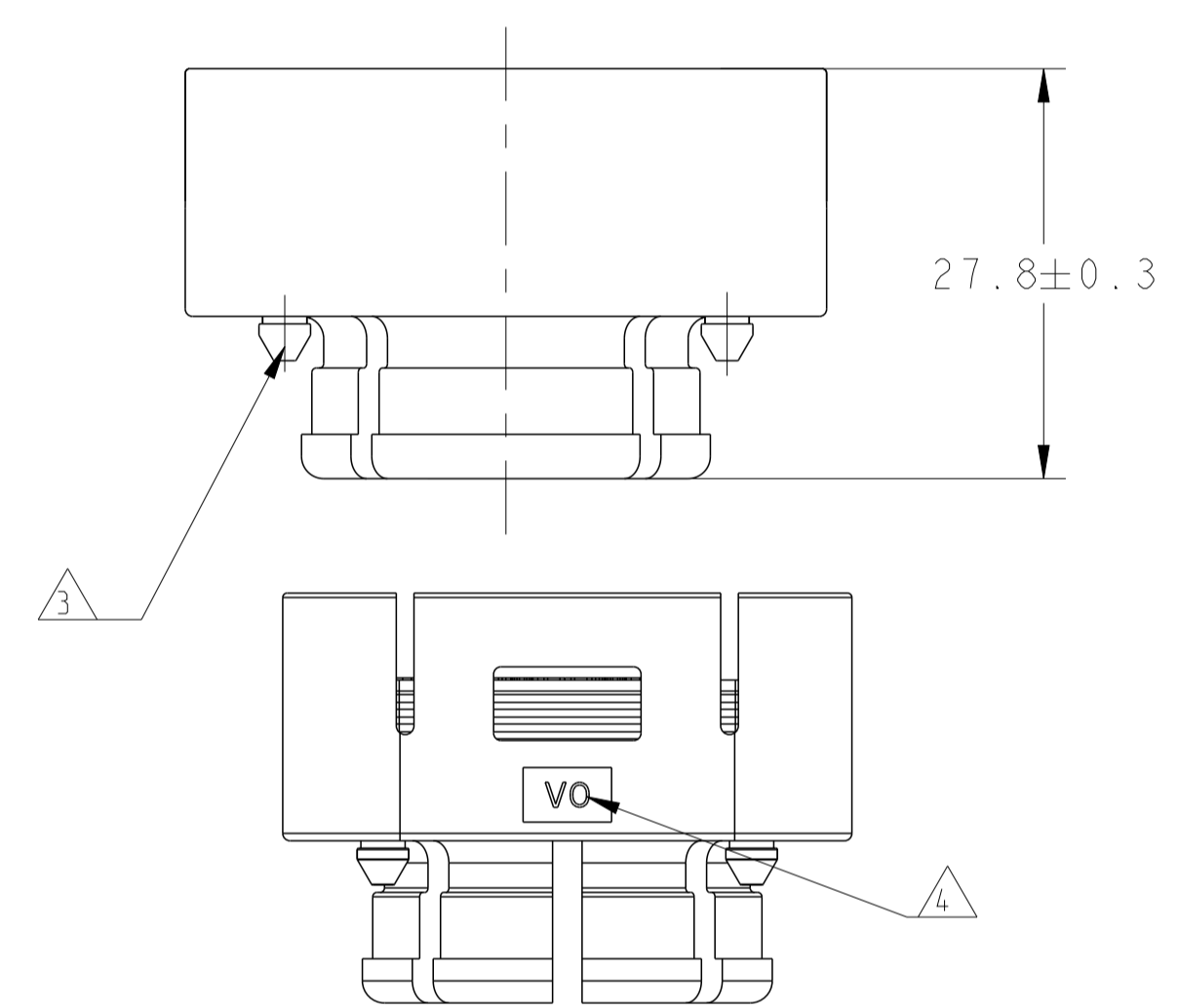
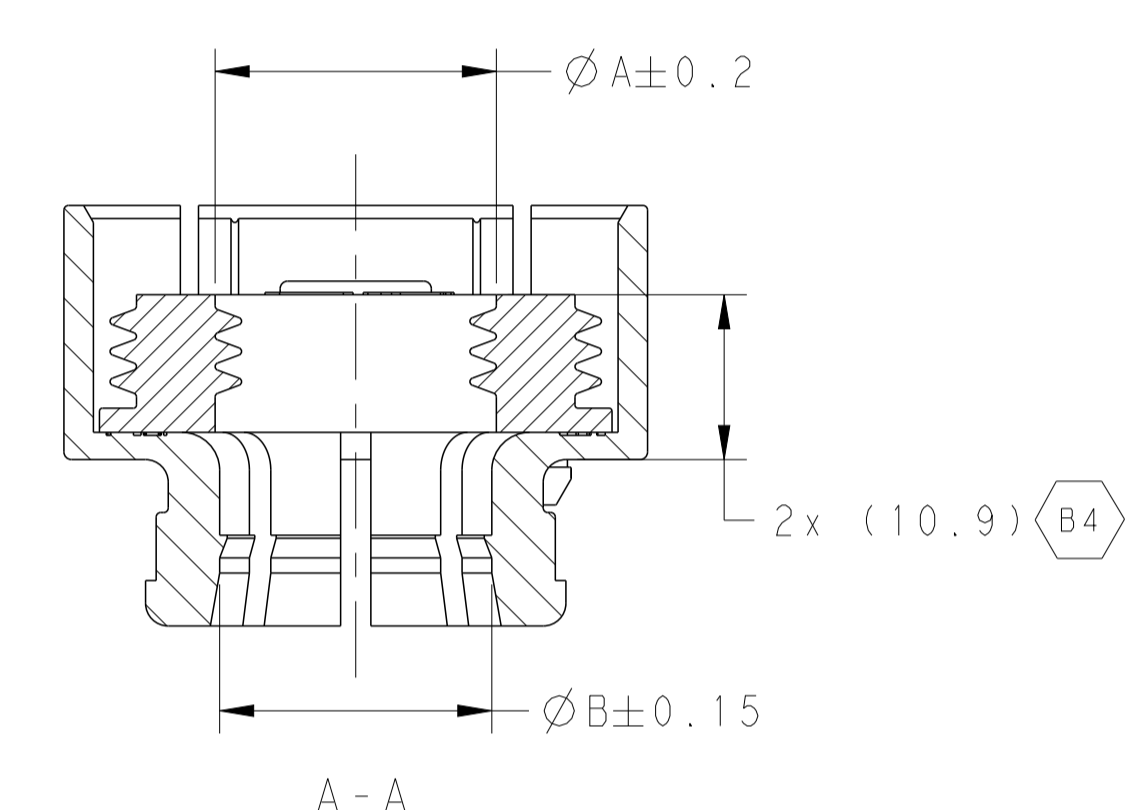
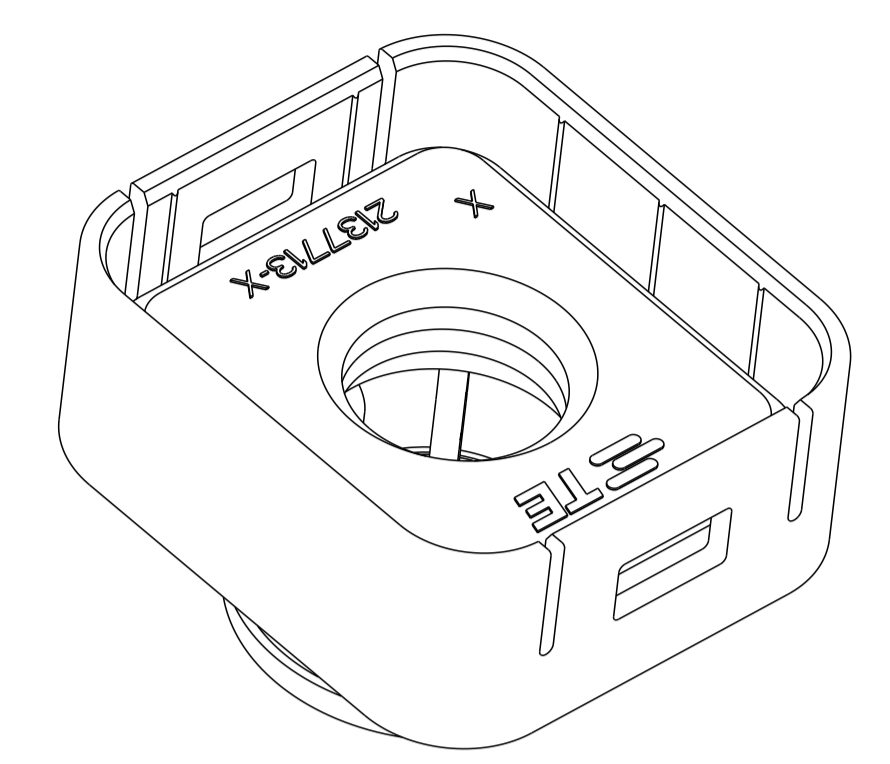
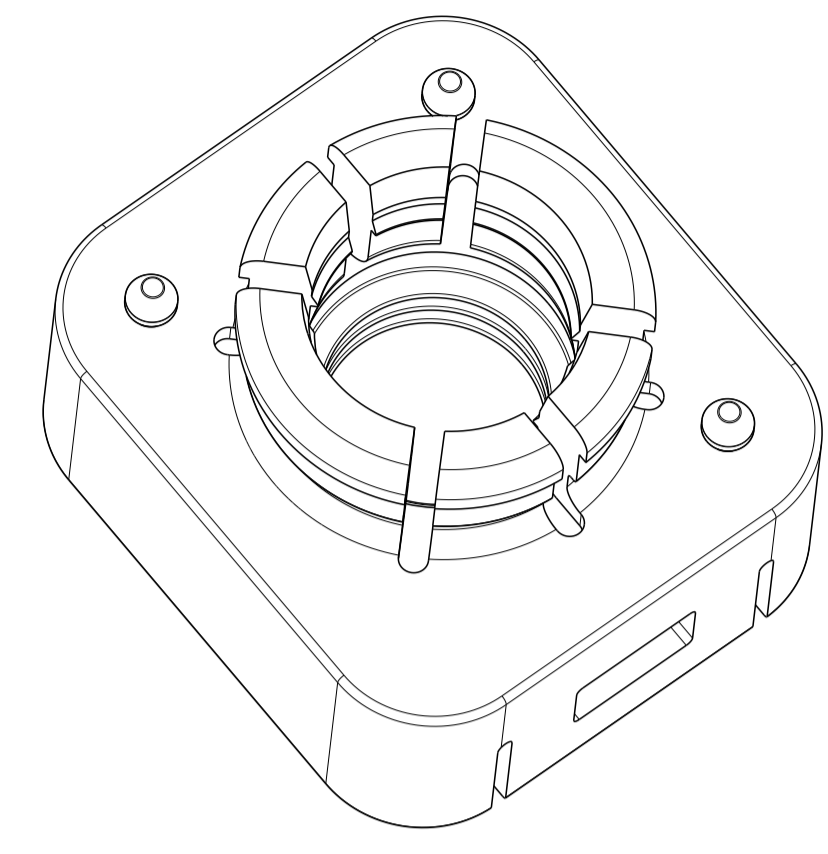


LOC	DIST	REVISIONS					
ES	00	P	LTH	DESCRIPTION	DATE	DWN	APVD
		B1		REVISED ECO-16-011243	15AUG16	JL	IY
		B2		REVISED ECO-16-017507	23JAN17	RP	IY
		B3		REVISED ECO-18-001679	23JAN18	DD	EJ
		B4		REVISED ECO-18-010787	03JUL18	DD	EJ

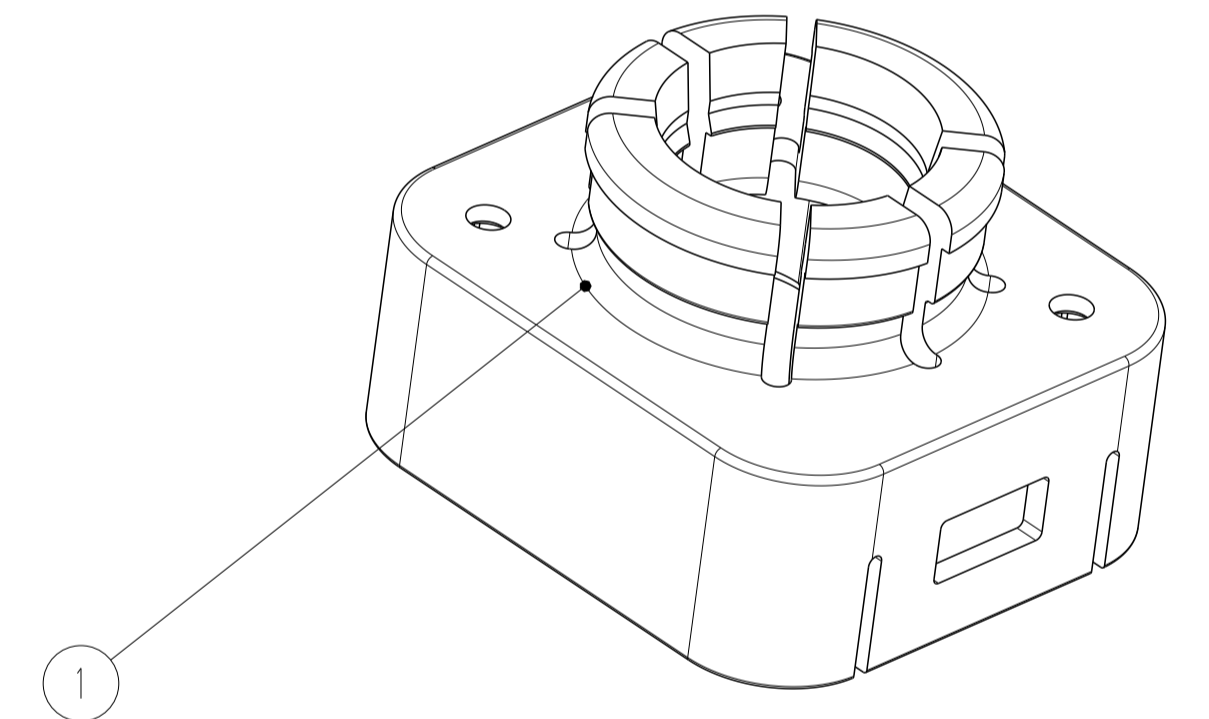


-6/7 AS SHOWN  
 (SAME AS -3 EXCEPT DIM.B AND RIB)



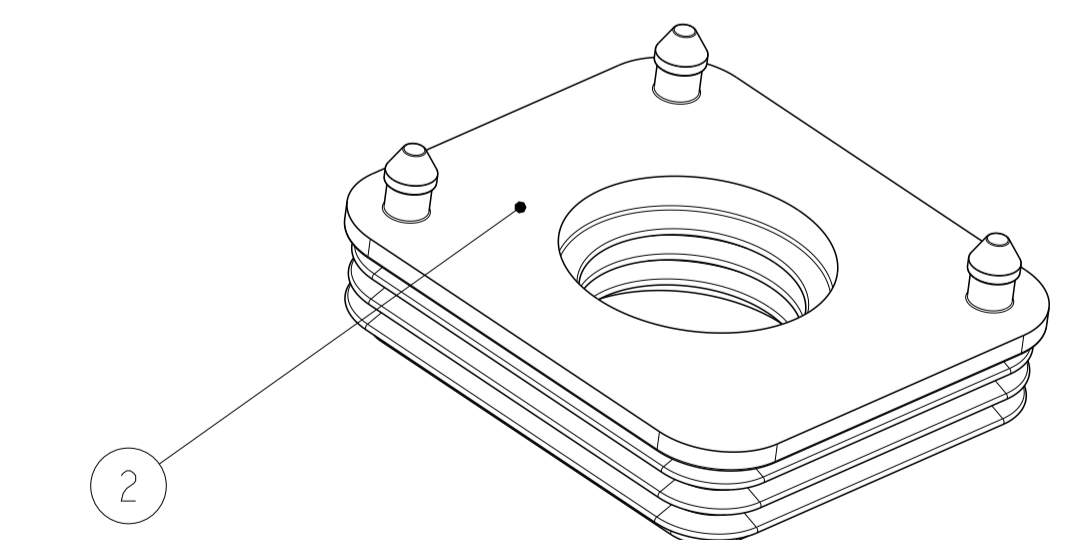
NOTES

- FINAL TEST: VISUAL INSPECTION FOR COMPLETENESS
- LAYER PACKING WITH CORRUGATED
- DIMPLES SHOULD BE VISIBLE.
- VO MARKING ONLY FOR VO PARTS, PN:1-2137711-X



1-2137711-7	2137711-7	18.60	20.0
1-2137711-6	2137711-6	18.60	19.2
1-2137711-4	2137711-4	20.45	20.1
1-2137711-3	2137711-3	18.60	17.5
TE ASSY NO V0	TE ASSY NO	A	B

TE-ASSY-NO	DESCRIPTION	TE PART-NO	DESCRIPTION	MATERIAL	SURFACE COLOR	QTY	ITEM
1-2137711-7	CBALE SEAL ASSY	2137713-3	SINGLE WIRE SEAL	XE20-531U OR EQUIVALENT	BLUE	1	2
		1-2137712-7	CABLE SEAL RETAINER V0	PA66 GF30 V0	ORANGE	1	1
1-2137711-6	CBALE SEAL ASSY	2137713-3	SINGLE WIRE SEAL	XE20-531U OR EQUIVALENT	BLUE	1	2
		1-2137712-6	CABLE SEAL RETAINER V0	PA66 GF30 V0	ORANGE	1	1
1-2137711-4	CBALE SEAL ASSY	2137713-4	SINGLE WIRE SEAL	XE20-531U OR EQUIVALENT	YELLOW	1	2
		1-2137712-4	CABLE SEAL RETAINER V0	PA66 GF30 V0	ORANGE	1	1
1-2137711-3	CBALE SEAL ASSY	2137713-3	SINGLE WIRE SEAL	XE20-531U OR EQUIVALENT	BLUE	1	2
		1-2137712-3	CABLE SEAL RETAINER V0	PA66 GF30 V0	ORANGE	1	1
2137711-7	CBALE SEAL ASSY	2137713-3	SINGLE WIRE SEAL	XE20-531U OR EQUIVALENT	BLUE	1	2
		2137712-7	CABLE SEAL RETAINER	PA66 GF30	ORANGE	1	1
2137711-6	CBALE SEAL ASSY	2137713-3	SINGLE WIRE SEAL	XE20-531U OR EQUIVALENT	BLUE	1	2
		2137712-6	CABLE SEAL RETAINER	PA66 GF30	ORANGE	1	1
2137711-4	CBALE SEAL ASSY	2137713-4	SINGLE WIRE SEAL	XE20-531U OR EQUIVALENT	YELLOW	1	2
		2137712-4	CABLE SEAL RETAINER	PA66 GF30	ORANGE	1	1
2137711-3	CBALE SEAL ASSY	2137713-3	SINGLE WIRE SEAL	XE20-531U OR EQUIVALENT	BLUE	1	2
		2137712-3	CABLE SEAL RETAINER	PA66 GF30	ORANGE	1	1



-3 AS SHOWN

THIS DRAWING IS A CONTROLLED DOCUMENT. DWN: E. WANG 08NOV11  
 CHK: N. ZHOU 08NOV11  
 APVD: K. QDA 08NOV11

**STE** TE Connectivity

NAME: CABLE SEAL ASSY

PRODUCT SPEC: -  
 APPLICATION SPEC: -

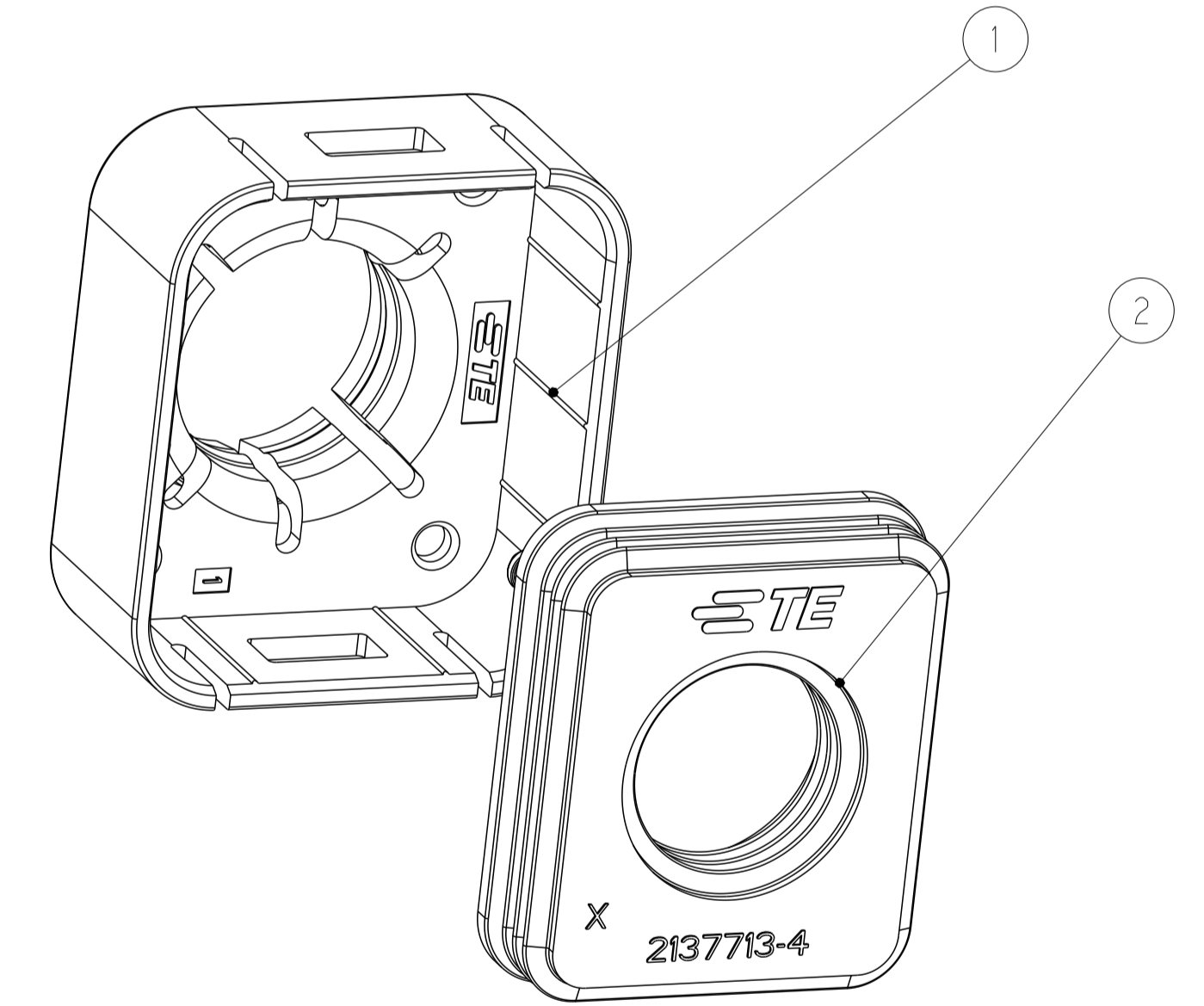
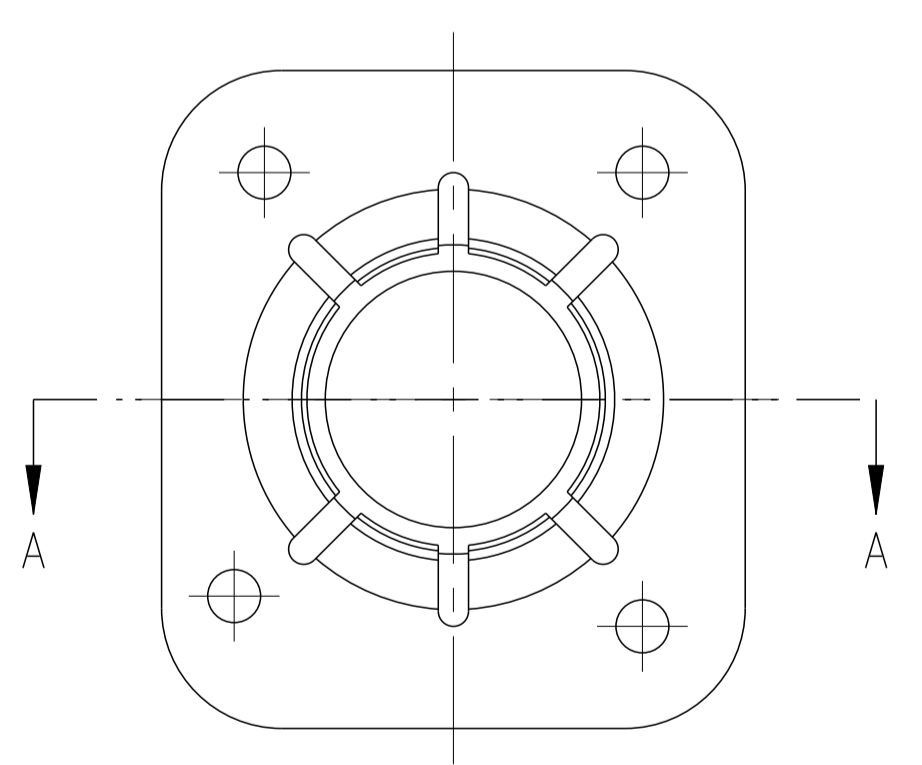
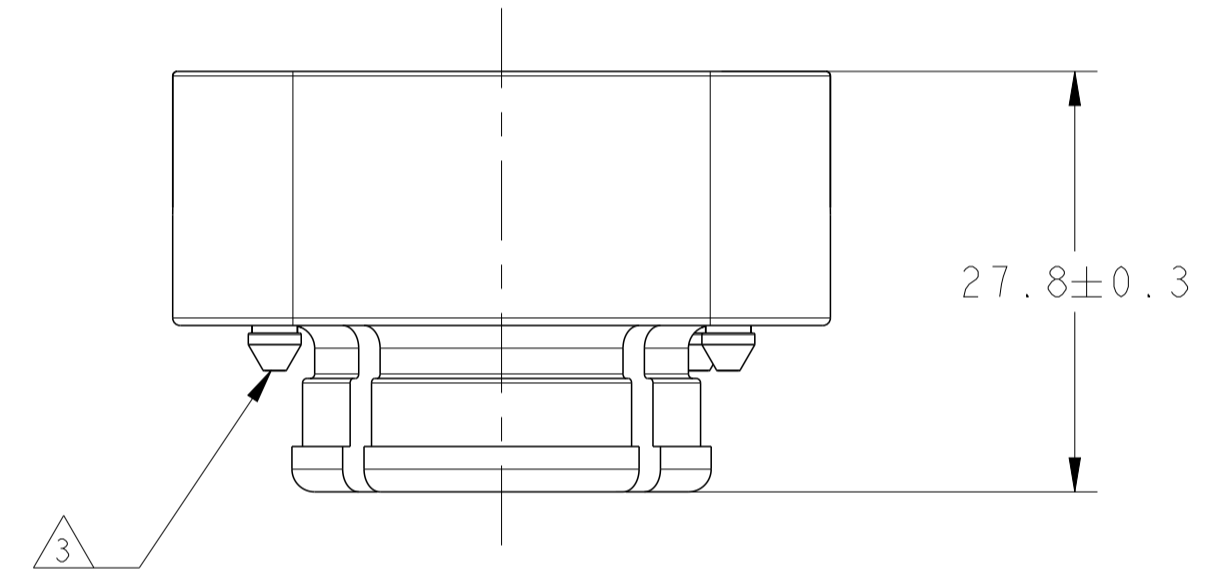
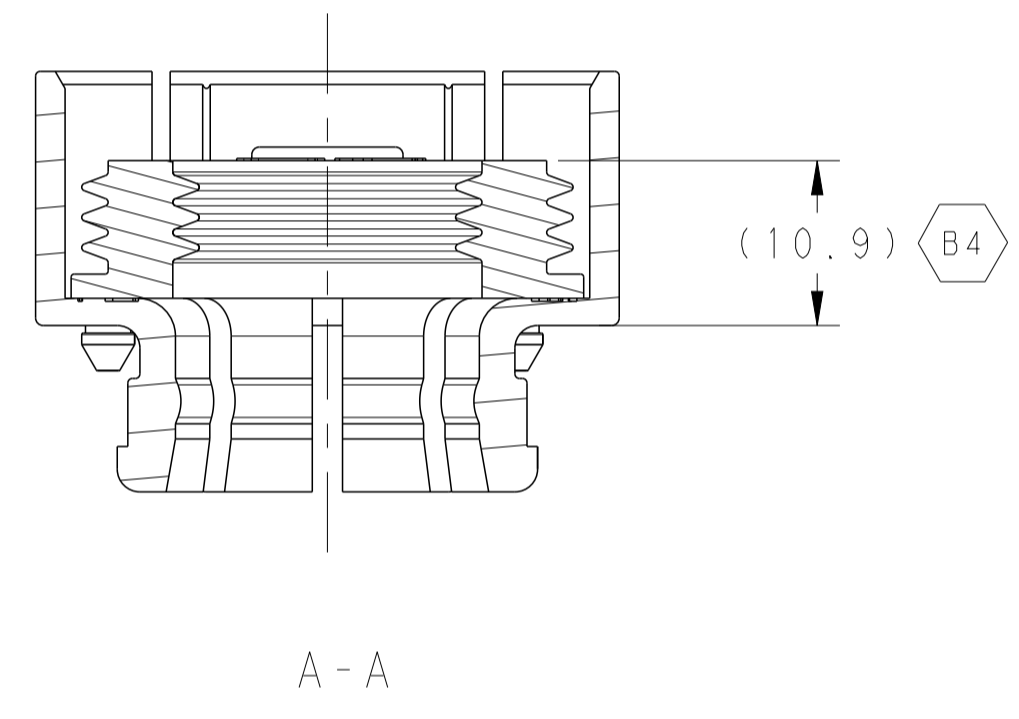
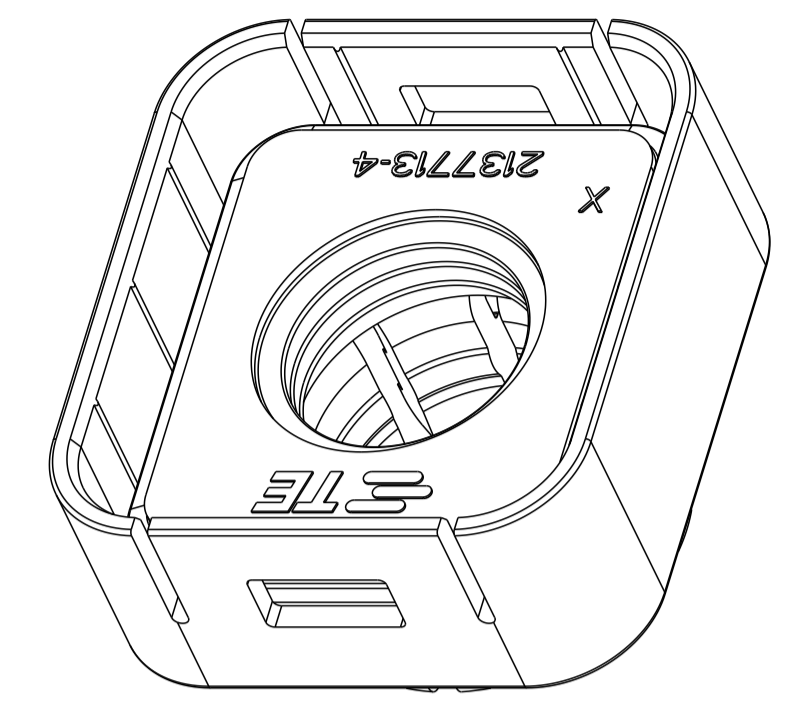
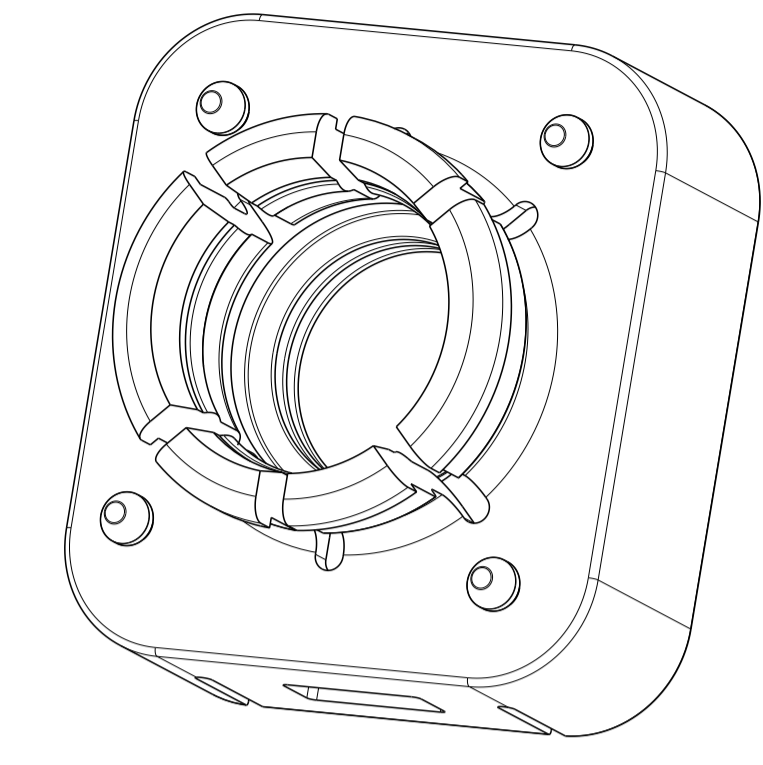
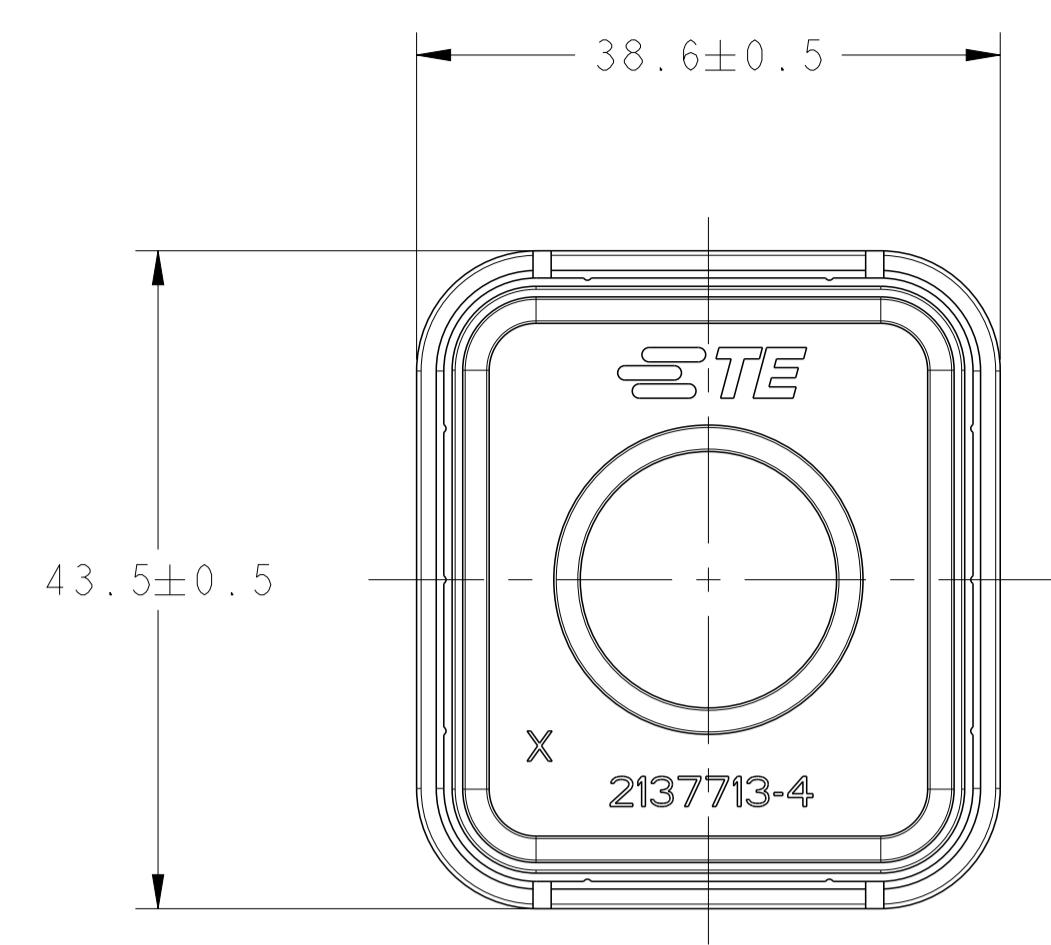
SIZE: A1 00779 C=2137711  
 CAGE CODE: -  
 DRAWING NO: -

RESTRICTED TO: -

MATERIAL: -  
 FINISH: -  
 WEIGHT: -  
 CUSTOMER DRAWING: -

SCALE: 2:1 SHEET 1 OF 2 REV: B4

REVISIONS				
P.	LTN	DESCRIPTION	DATE	APVD
-	-	SEE SHEET 1	-	-



- 4 AS SHOWN

THIS DRAWING IS A CONTROLLED DOCUMENT.		OWN: E. WANG 08NOV11	TE Connectivity
DIMENSIONS: mm		CHK: N. ZHOU 08NOV11	
TOLERANCES UNLESS OTHERWISE SPECIFIED:		APVD: K. QDA 08NOV11	NAME: CABLE SEAL ASSY
PLC	±0.5	PRODUCT SPEC	SIZE: A1
2 PLC	±0.5	APPLICATION SPEC	CAGE CODE: -
3 PLC	±0.13	WEIGHT: -	DRAWING NO: C=2137711
4 PLC	±0.0001	CUSTOMER DRAWING	RESTRICTED TO: -
ANGLES	*	SCALE: 1:1	SHEET 2 OF 2
MATERIAL:	FINISH:	REV: B4	