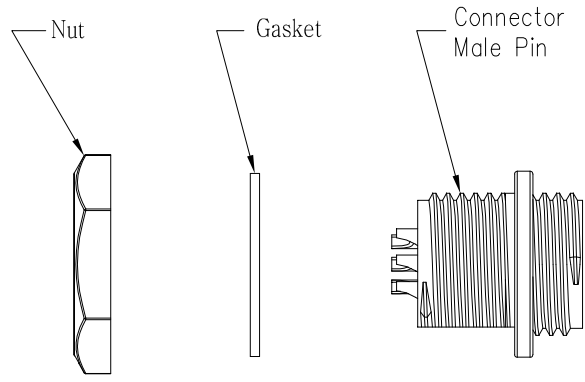
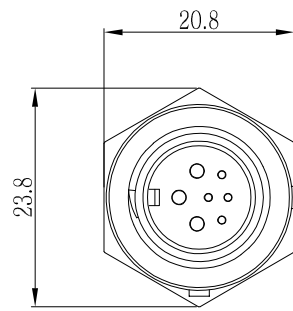
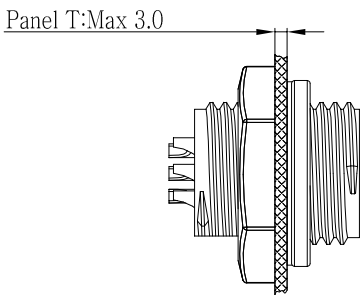
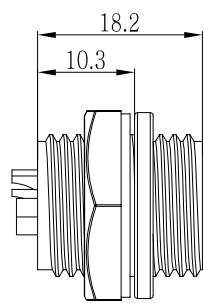
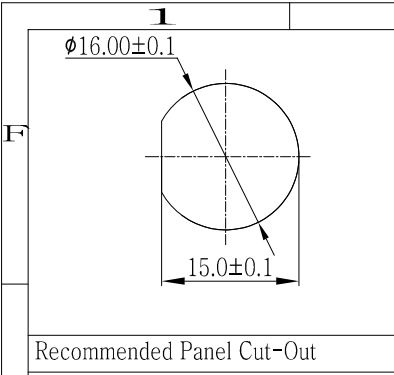


THIS INFORMATION IS CONFIDENTIAL AND IS DISCLOSED TO YOU ON CONDITION THAT NO FURTHER DISCLOSURE IS MADE BY YOU TO OTHER THAN CHOGORI PERSONNEL WITHOUT AUTHORIZATION FROM CHOGORI CORP.

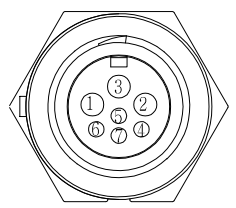
| REV. | ECN NO. | DESCRIPTION     | SIGN  | DATE       |
|------|---------|-----------------|-------|------------|
| C1   | N/A     | INITIAL DRAWING | Yumer | 2020/04/23 |



- Specification:
- 1.Operation Temperature:-45°C~105°C.
  - 2.Insulation Resistance:100MΩ at DC500V.
  - 3.Contact Resistance:<10mΩ.
  - 4.Withstand Voltage: 1300V AC
  - 5.Operating Current:10+ 2A
  - 6.Operating Voltage:AC 60V
  - 7.Waterproof Rate:IP67 (Mated)
  - 8.Connector:Nylon, Black
  - 9.Male Pin:Copper Alloy, Gold Plated
  - 10.Gasket:Silicon Gray
  - 11.Panel Nut:Nylon, Black
  - 12.Torque Rate:0.8~1.0N • m
  - 13.RoHS Compliant.
  - 14.Mating Cap P/N:806-00030-00

22XXX515-03

Pin Number



3+4 Pin

P/N: 22304515-03

Pin Assignments  
Front View

|           |       |
|-----------|-------|
| UNIT:mm   |       |
| TOLERANCE |       |
| .X        | ±0.25 |
| .XX       | ±0.15 |
| .XXX      | ±0.05 |
| ANGLES    | ±1°   |

|             |     |  |        |
|-------------|-----|--|--------|
| DESCRIPTION |     | Standard Series Screw Rear Mount With Male Pin |        |
| SCALE:      | 1:1 | SHEET  | 1 OF 1 |
| REV.        | C1  | SIZE   | A4     |
|             |     | * :Inspection Item                             |        |

**CHOGORI**<sup>®</sup>

|          |             |             |        |      |            |
|----------|-------------|-------------|--------|------|------------|
| PART NO  | 22XXX515-03 | DRAWN BY    | Yumer  | DATE | 2020/04/23 |
| DWG NO   |             | CHECKED BY  | Ivan   | DATE | 2020/04/23 |
| CUSTOMER |             | APPROVED BY | Panson | DATE | 2020/04/23 |