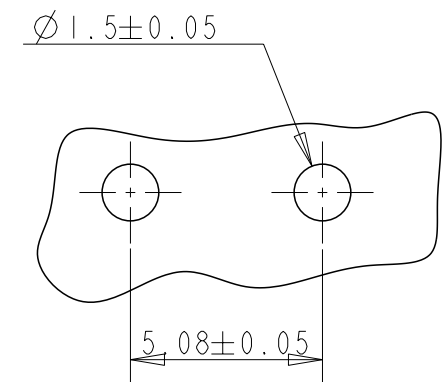
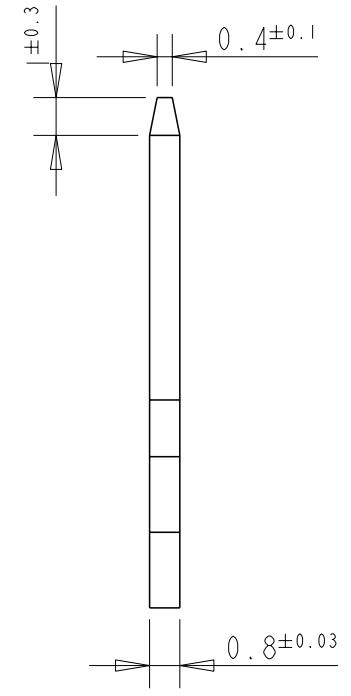
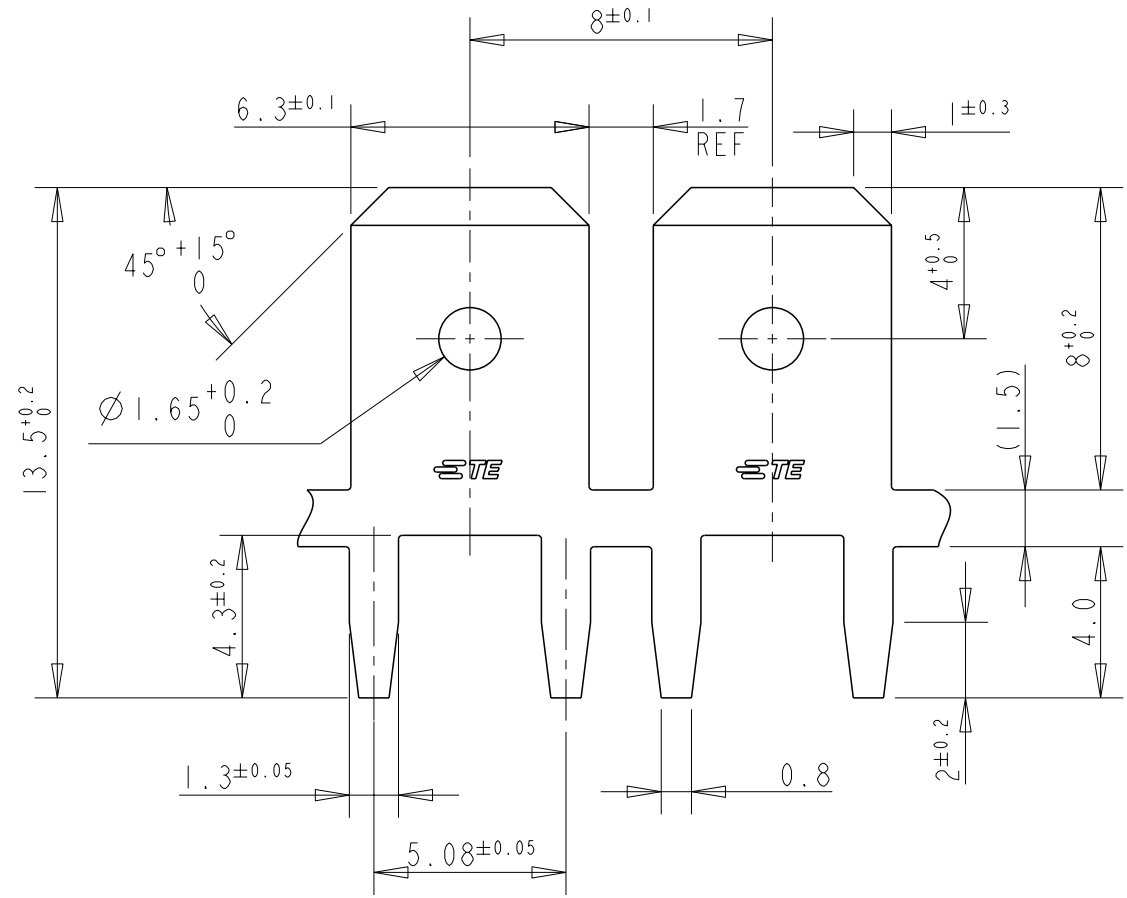


REVISIONS

P	LTR	DESCRIPTION	DATE	DWN	APVD
	A	RELEASE TO PRODUCTION	31MAY21	MK	EW

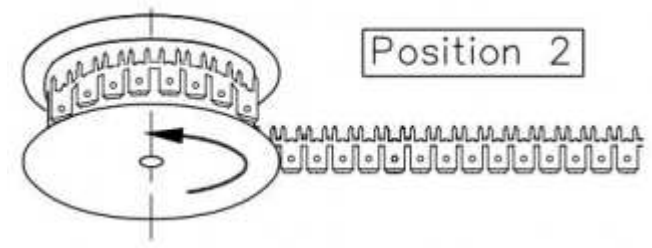
NOTE:  
 1. CONTINUOUS STRIP ON REELS.  
 2. MATTE TIN PLATE WITH NICKEL UNDERLAYER.



PRINTED CIRCUIT

LOOSE PIECE	--	2	BRASS	2376591-3
STRIP	STANDARD	2	BRASS	2376591-2
FORM	REELING	PLATING	MATERIAL	PN

DIRECTION OF TRANSPORT OF SALE SPOOLS



THIS DRAWING IS A CONTROLLED DOCUMENT.

DIMENSIONS: mm	TOLERANCES UNLESS OTHERWISE SPECIFIED: 0 PLC ±- 1 PLC ±0.1 2 PLC ±- 3 PLC ±- 4 PLC ±- ANGLES ±-	DWN DON TANG 12MAY2020 CHK DAISY LI 12MAY2020 APVD ERIC WANG 12MAY2020 PRODUCT SPEC 108-106562 APPLICATION SPEC 114-2115 WEIGHT -	NAME TAB. FASTON. P.C. BOARD 6.35 [.250]
MATERIAL - SEE TABLE	FINISH -	CUSTOMER DRAWING	SIZE A3 CAGE CODE 00779 DRAWING NO. C-2376591 RESTRICTED TO -
		SCALE 5:1	SHEET 1 OF 1 REV A

TE Connectivity

printed on 1 Jun 2021 11:58 (India Standard Time) from TE39T007