

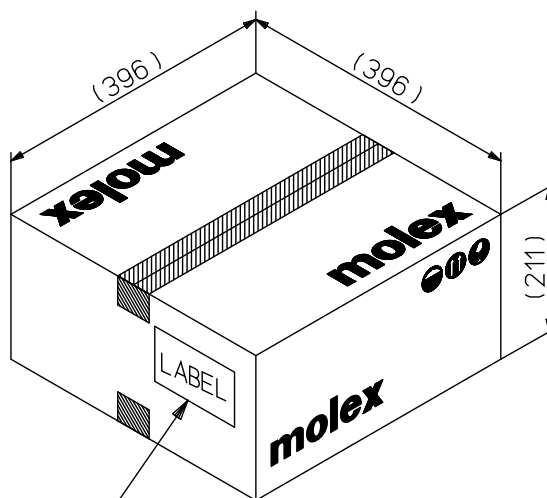
1. 製品名称／PRODUCT NAME : 0.35 BB CONN. H=0.6 SSB6 RP REC. EMBOSSED TAPE PACKAGING
 製品番号／PART NUMBER : 505066-**22
 (**は極数を示す)
 (** SHOWS CIRCUITS SIZE)

2. 標準梱包数／STANDARD PACKAGING QUANTITY

| 極数 CKT. SIZE | キャリア テープ幅 (mm) CARRIER TAPE WIDTH (mm) | 1リール中の製品数 QTY. PER REEL | 外装カートン SHIPPING CARTON | |
|--------------------|---|----------------------------|---------------------------|-----------------|
| | | | 梱包リール数 NUMBER OF REELS | 製品数 QUANTITY |
| 6 | 16 | 8,000 | 8 | 64,000 |
| 8 | | | | |
| 10 | | | | |
| 12 | | | | |
| 14 | | | | |
| 16 | | | | |
| 20 | | | | |
| 22 | | | | |
| 24 | | | | |
| 30 | | | | |
| 34 | 24 | 8,000 | 6 | 48,000 |
| 40 | | | | |
| 42 | | | | |
| 48 | | | | |
| 50 | | | | |
| 54 | | | | |

| | | | | | |
|-------------------------------|--|---|----------------------------|-------------------------|---------------------|
| REV. | B | | | | |
| SHEET | 1~2 | | | | |
| REVISE ON PC ONLY | | TITLE: | | | |
| B | REVISED 608238 2018/11/27 Y.AOYAGI | 505066**22梱包仕様書 SALES PACKAGING SPEC. FOR 505066**22 | | | |
| | THIS DOCUMENT CONTAINS INFORMATION THAT IS PROPRIETARY TO MOLEX ELECTRONIC TECHNOLOGIES, LLC AND SHOULD NOT BE USED WITHOUT WRITTEN PERMISSION | | | | |
| REV. | DESCRIPTION | | | | |
| DESIGN CONTROL J | STATUS | WRITTEN BY: GB | CHECKED BY: K.TAKAHASHI | APPROVED BY: M.SASAO | DATE: 2017/04/19 |
| DOCUMENT NUMBER 5050669200 | | DOC. TYPE PS | DOC. PART 203 | CUSTOMER GENERAL | SHEET 1 OF 2 |

3. カートン外形参考寸法 / CARTON OUTER DIMENSIONS (REFERENCE PURPOSE ONLY) 単位 / UNIT: mm



カートンラベル
CARTON LABEL

(製品型番, 数量, ロットNO. 表示)
INDICATION OF PART No., QUANTITY, LOT No.

標準カートン
STANDARD CARTON

| | | | | | |
|-------------------------------|------------------|---|--|---------------------|-----------------|
| REVISE ON PC ONLY | | TITLE: | | | |
| B | SEE SHEET 1 OF 2 | 505066**22梱包仕様書 SALES PACKAGING SPEC. FOR 505066**22 | | | |
| | REV. | DESCRIPTION | THIS DOCUMENT CONTAINS INFORMATION THAT IS PROPRIETARY TO MOLEX ELECTRONIC TECHNOLOGIES, LLC AND SHOULD NOT BE USED WITHOUT WRITTEN PERMISSION | | |
| DOCUMENT NUMBER 5050669200 | | DOC. TYPE PS | DOC. PART 203 | CUSTOMER GENERAL | SHEET 2 OF 2 |