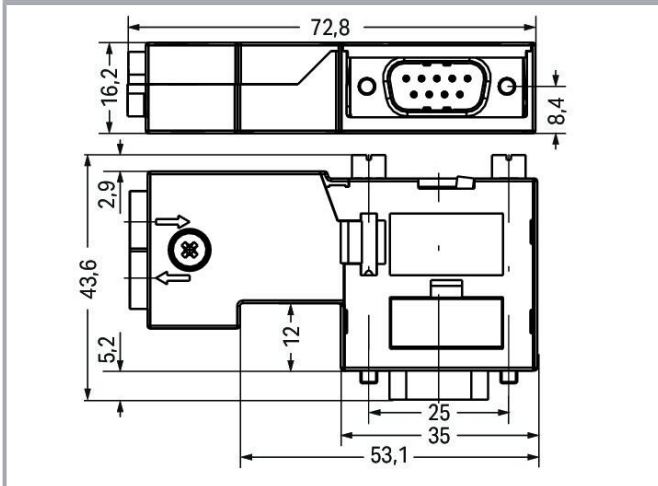
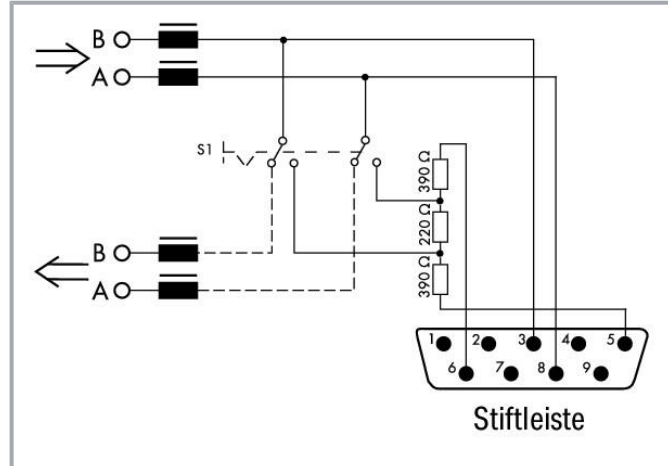


Color: —



Subject to changes. Please also observe the further product documentation!

WAGO GmbH & Co. KG
Hansastr. 27
32423 Minden
Phone: +49571 887-0 | Fax: +49571 887-169
Email: info.de@wago.com | Web: www.wago.com

Do you have any questions about our products?
We are always happy to take your call at +49 (571) 887-44222.



Item description

This fieldbus connector links a PROFIBUS device to a PROFIBUS line.

The fieldbus connector has the following features:

- Compact design Perfectly connects to an S7 PLC
- No losable parts
- Two horizontal cable entries for both input and output
- Fast and maintenance-free CAGE CLAMP[®] connection – a locking slide keeps the clamping unit in its open position
- Externally operable switch to activate or deactivate the network terminating resistor

For the first and last station on the bus, the switch must be set to "ON" (Terminating resistor activated, outgoing bus line disconnected) Switch setting to "OFF" for downstream bus stations (Terminating resistor deactivated)

Data

Technical data

| | |
|------------------------|--|
| Connection type | D-sub 9 plug |
| Pole number | 9 |
| Communication/fieldbus | PROFIBUS |
| Baud rate | 12 Mbit/s (per PROFIBUS specification) |
| Supply voltage | 4.75 ... 5.25 VDC |
| Input current | 5 mA |

Connection data

| | |
|-------------------|--|
| Connection type 1 | CAGE CLAMP [®] terminal strip with locking slide (218 Series) |
| Solid conductor | 0.08 ... 0.5 mm ² / 28 ... 20 AWG |
| Strip length | 5 ... 6 mm / 0.2 ... 0.24 inches |

Physical data

| | |
|--------|------------------------|
| Width | 43.6 mm / 1.717 inches |
| Height | 16.2 mm / 0.638 inches |
| Depth | 72.8 mm / 2.866 inches |

Mechanical Data

| | |
|-------------------------------------|--------|
| Connectable sheathed cable diameter | 8.5 mm |
| Cable glands (number) | 2 |

Subject to changes. Please also observe the further product documentation!

WAGO GmbH & Co. KG
 Hansastr. 27
 32423 Minden
 Phone: +49571 887-0 | Fax: +49571 887-169
 Email: info.de@wago.com | Web: www.wago.com

Do you have any questions about our products?
 We are always happy to take your call at +49 (571) 887-44222.



| | |
|------------------|------------|
| Housing material | PC-V0 |
| Weight | 45 g |
| Color | light gray |

Environmental requirements

| | |
|--|----------------|
| Ambient temperature (operation) | 0 ... +60 °C |
| Ambient temperature (storage) | -25 ... +85 °C |
| Protection type | IP20 |
| Relative humidity (without condensation) | 95 % |

Commercial data

| | |
|-----------------------|-----------------|
| Product Group | 15 (I/O System) |
| eCl@ss 10.0 | 27-24-26-92 |
| eCl@ss 9.0 | 27-24-26-92 |
| ETIM 8.0 | EC002584 |
| ETIM 7.0 | EC002584 |
| PU (SPU) | 1 pcs |
| Packaging type | box |
| Country of origin | DE |
| GTIN | 4045454633875 |
| Customs tariff number | 85366990990 |

Environmental Product Compliance

| | |
|------------------------|-------------------------|
| RoHS Compliance Status | Compliant, No Exemption |
|------------------------|-------------------------|

Downloads

Documentation

Manual

| | | | |
|--|-----------------------|---------------|----------|
| System Manual WAGO I/O System 750/753 Decentralized Automation Technology | V 3.3.0 2023 May 4 | pdf 8.8 MB | Download |
|--|-----------------------|---------------|----------|

Bid Text

| | | | |
|------------------------|-------------|---------------|----------|
| 750-971 X81 - Datei | 2019 Feb 19 | xml 4.9 kB | Download |
| 750-971 | 2017 Oct 6 | doc | Download |

Subject to changes. Please also observe the further product documentation!



doc - Datei

26.6 kB

Additional Information

| | | | |
|---|-------------|--------|----------|
| Disposal and Recycling | V 1.1.0 | pdf | Download |
| Electrical and electronic equipment, Batteries, Packaging | 2022 Aug 18 | 2.2 MB | |

CAD/CAE-Data

CAE data

| | | |
|---------------------------|-----|----------|
| EPLAN Data Portal 750-971 | URL | Download |
| WSCAD Universe 750-971 | URL | Download |

Environmental Product Compliance

Compliance Search

| | | |
|--|-----|----------|
| Environmental Product Compliance 750-971 | URL | Download |
| Fieldbus Connector PROFIBUS; with D-sub male connector; 9-pole | | |

Installation Notes

Subject to changes. Please also observe the further product documentation!