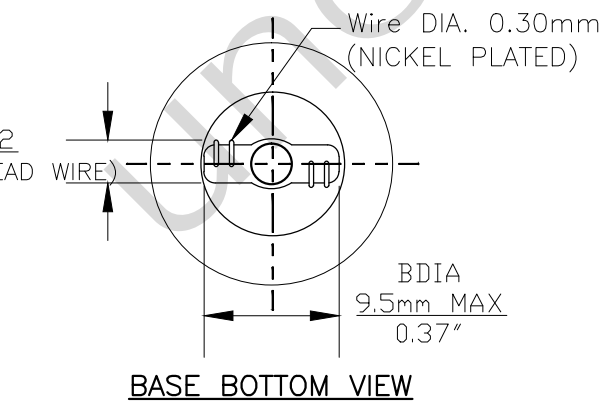
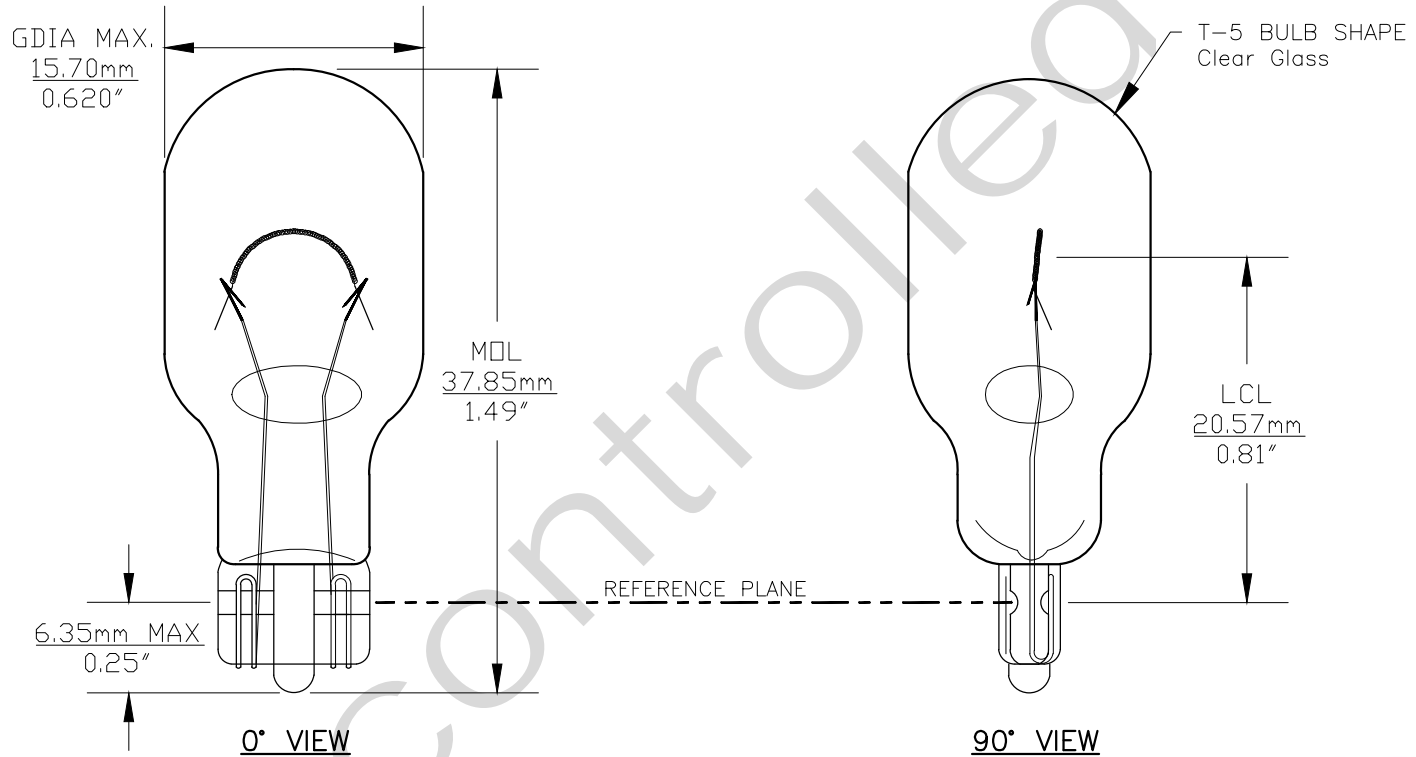




Since 1959

PART NO.	BASE TYPE	DESIGN VOLTS	DESIGN AMPS	MSCD	FILAMENT TYPE	AVERAGE LIFE HOURS	REVISIONS			
							REV #	DESCRIPTION	DATE	APPROVED
908	Glass Wedge W2.1X9.5d (T-5)	6.0V	1.5 ±10%	12 ±20%	C-2R	50	1	ISSUED	11/08/2016	R.M..



Note: Made according to SAE specifications



UNLESS OTHERWISE SPECIFIED: DIMENSIONS ARE IN INCHES TOLERANCES		CEC INDUSTRIES LTD			
DECIMALS	ANGULAR	599 BOND STREET		LINCOLNSHIRE, IL 60069	
.XX ± .05	± 0.5°	TITLE LIGHT BULB NO. 908			
.XXX ± .010		DATE	11/08/2016	SIZE	A
FRACTIONAL	± 1/64	CHECKED		FSCM NO.	
		DESIGN		DWG NO.	908
		MATERIAL		SCALE	
				PLOT SCALE	
				SHEET	1 OF 1
				FILE	908.pdf
				DRAWING NOT TO SCALE	