



# 1820 MHz Cavity Bandpass Filter

Part Number: **AB1820B818**



## Electrical specifications

**Center Frequency:** 1820 MHz  
**Input / Output Impedance:** 50 Ohms  
**Passband:** 1819-1821 MHz  
**Passband Insertion Loss:** <4 dB @ 1819-1821 MHz  
**Passband Ripple:** <0.2 dB  
**Passband Return Loss:** >15 dB  
<3 dB 1812-1828 MHz  
**Rejection:** >50 dB @ 0-1795 MHz  
**Rejection 2:** >50 dB @ 1845-6000 MHz  
**Power Handling:** 50 W

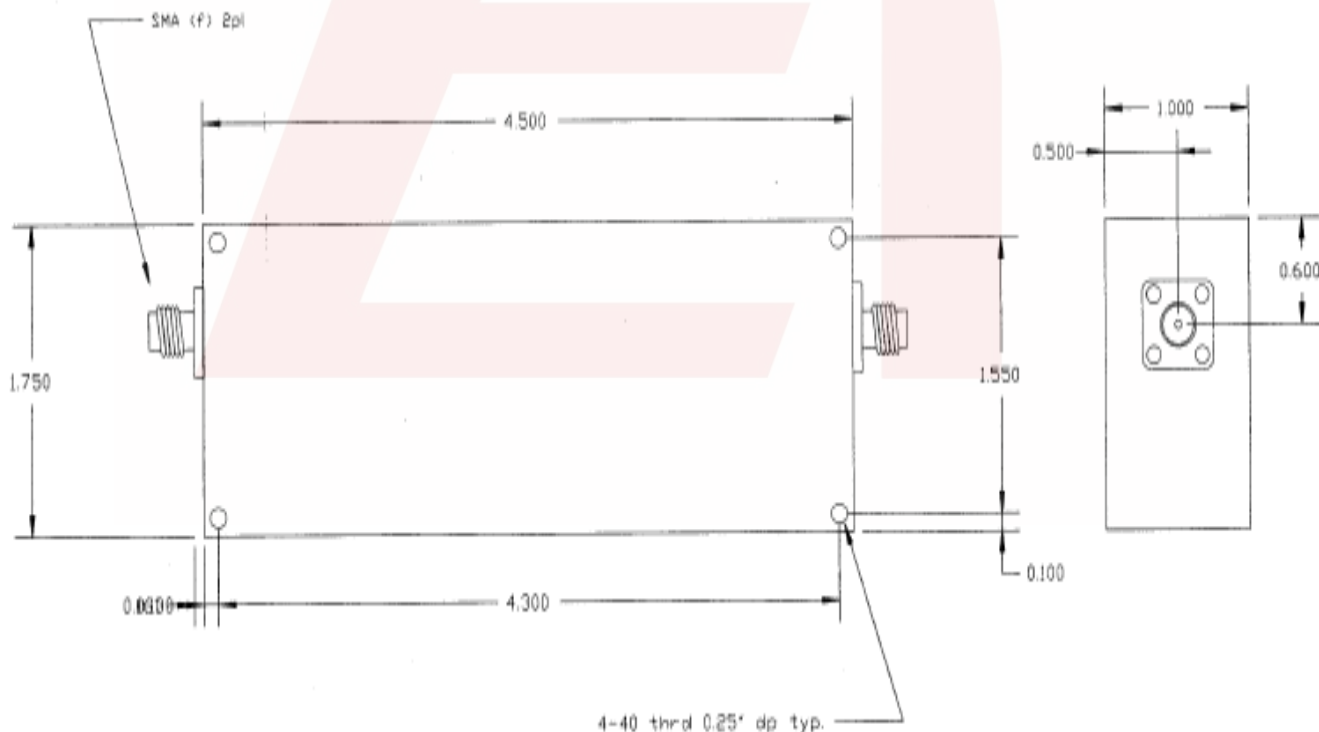
## Mechanical

**Mounting Method:** Threaded Mounting Holes  
**Connector Type:** SMA (F)  
**Dimensions:** 4.5" x 1.75" x 1.0"

## Environmental

**Operating Temperature:** -45 to +85 deg.C  
**Storage Temperature:** -55 to +95 deg.C  
**Shock:** 20 G. 11ms  
**Vibration:** 20 G. 5 to 200 Hz

## Outline Drawing:



DS-B818-03152018-Rev0