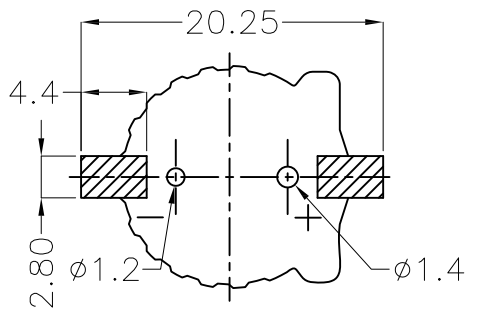
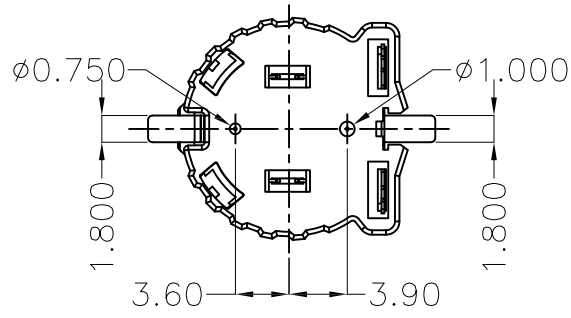
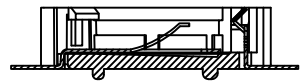
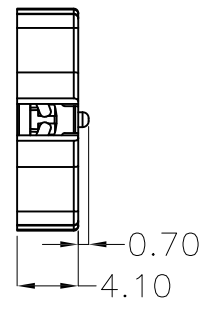
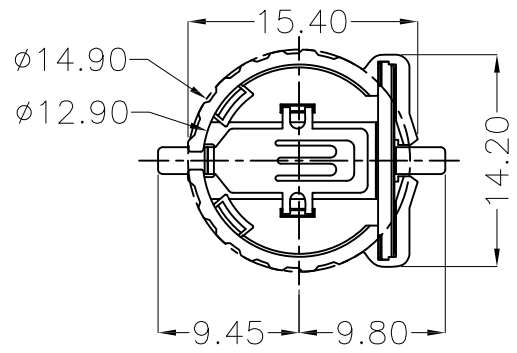


6	5	4	3	2	1		
APPROVED: _____			Rev	AWO #	Description	Date	Appr
DATE: _____ TITLE: _____			-		RELEASED	3/20/20	



RECOMMENDED PCB LAYOUT

SPECIFICATIONS:
 Material:
 Housing: Hi-temp thermoplastic, Color: Brown
 Contact: Phosphor Bronze, Gold plated
 Electrical:
 Contact resistance: 30 mohms max
 Insulation resistance: 1,000 Megaohms ohms min
 Dielectric Voltage: 500 VAC one sec level
 Temperature Rating:
 Operating temperature: -25°C to +85°C
 Environmental:
 Lead free, RoHS compliant



UNLESS OTHERWISE SPECIFIED
 ALL DIMENSIONS ARE MILLIMETERS
 TOLERANCES: EXCEPT AS NOTED

MM	ANGLE
X ± 0.30	X ± 1°
X.X ± 0.25	X.X ± 0.5°
X.XX ± 0.20	
X.XXX ± 0.10	

APPROVALS		DATE
DRAWN	LH	3/20/20
CHECKED	MY	3/20/20
APPROVED		

ADAM TECH INTERCONNECTS
 909 Rahway Avenue,
 Union, NJ 07083
 Phone: 908-687-5000
 Fax: 908-687-5710

TITLE BATTERY COIN CELL HOLDER, SMT TYPE FOR CR1220, BROWN COLOR			
SIZE X	PART NO. BH-44G-5	REV. -	
REF: S00136C	SCALE: NTS	SHEET 1 OF 1	