

CKG45NX5R1C476M500JH

TDK item description : CKG45NX5R1C476MT***

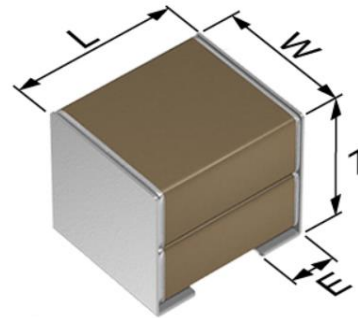


Application & Main Feature

Commercial grade (MEGACAP)

Series

CKG45N(4532) [EIA 1812]



Dimensions

L 5.00±0.50 mm
W 3.50±0.50 mm
T 5.00±0.50 mm
E 1.10±0.30 mm

Temperature Characteristic

X5R (-55 to +85 degC, ±15%)

Rated Voltage

1C (16Vdc)

Capacitance

47µF

Capacitance Tolerance

M (±20%)

DF

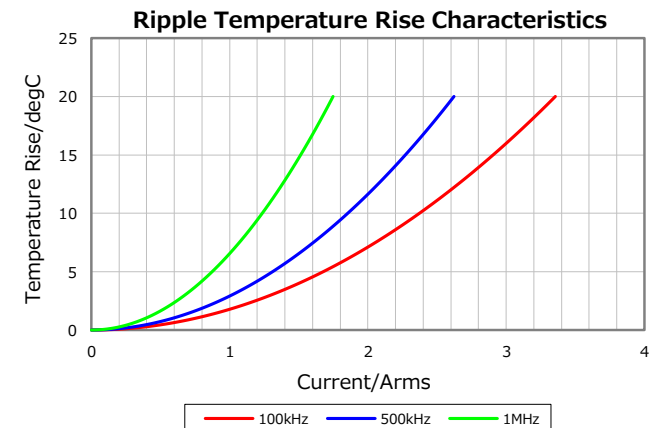
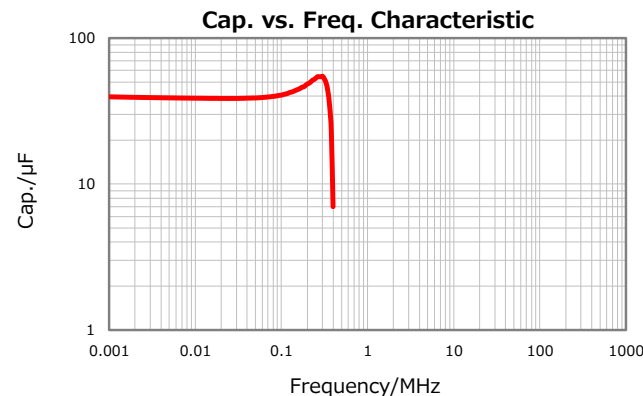
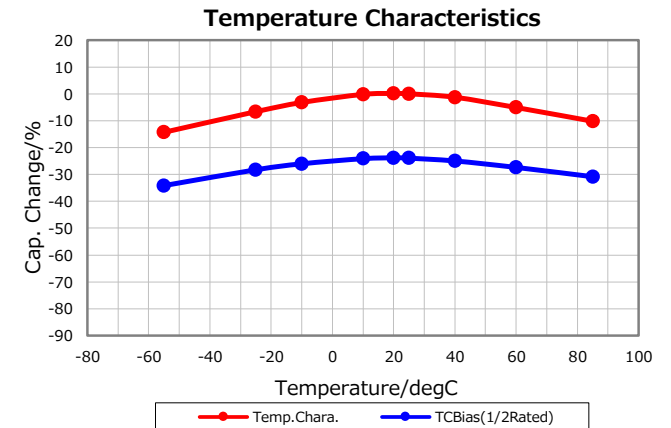
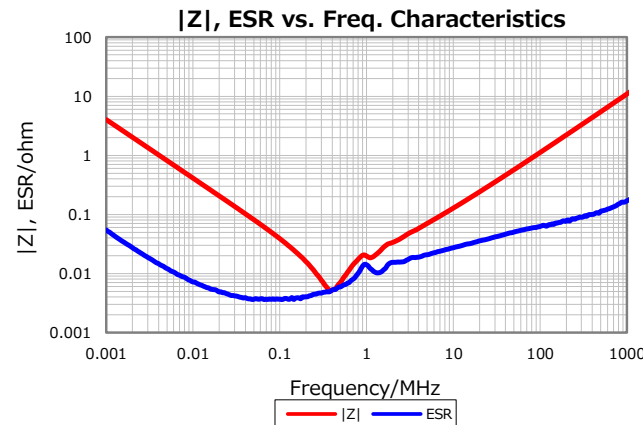
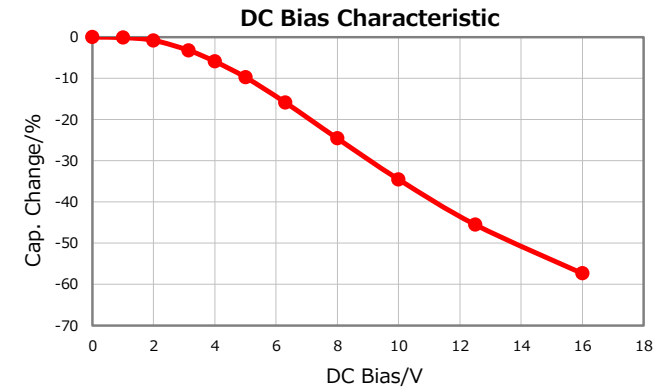
7.5 % max.

Insulation Resistance

2 Mohm min.

AEC-Q200

Not Applicable



Characterization Sheet (Multilayer Ceramic Chip Capacitors)



⚠ All specifications are subject to change without notice.

April 11, 2022