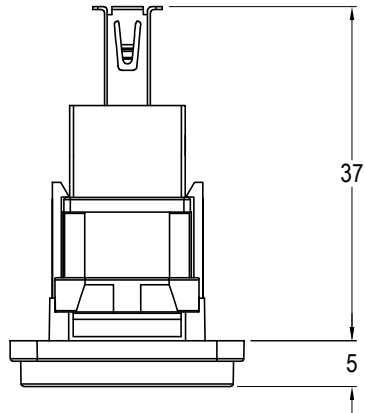
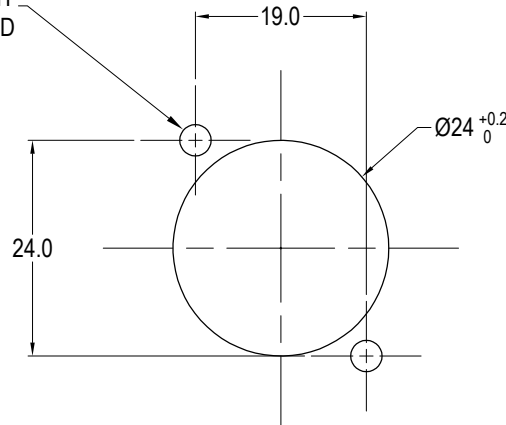


ISS.	AMEND	DATE
1	ISSUED	12/02/15
2	ADD WHITE VARIANTS	03/02/20



PANEL CUTOUT  
MAXIMUM PANEL  
THICKNESS 3mm

HOLES TO SUIT  
SCREW USED



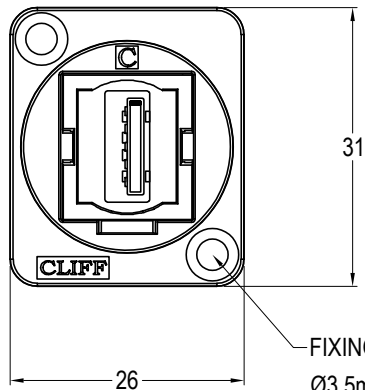
**Material:**

1. Insert: ABS UL94 HB
2. Frame: Polyamide UL94 V-2
3. Inner Overmouldings: PE + PVC
4. Shell: Nickel plated steel
5. Contacts: Gold Plated

PART NO.	COLOUR	FIXING HOLE DETAILS
CP30205N	BLACK	HOLE $\varnothing 3.50$ X CSK $82^\circ$ X $\varnothing 5.85$
CP30205NW	WHITE	
CP30205NX	BLACK	PLAIN HOLE $\varnothing 2.50$
CP30205NXW	WHITE	

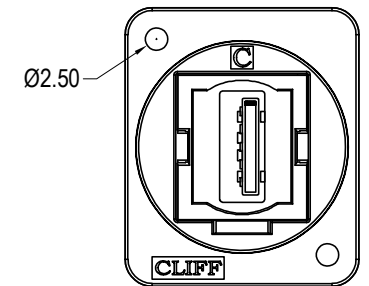
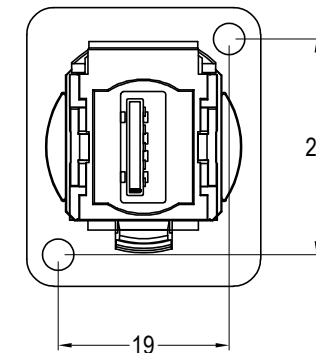
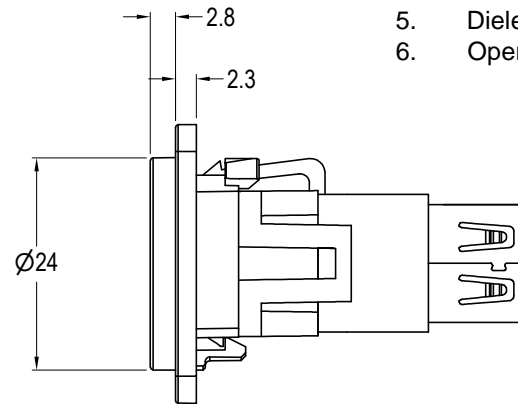
**Notes:**

1. Voltage rating: 30V ac
2. Current rating: 1.8 A max
3. Contact resistance: 50m $\Omega$  max
4. Insulation resistance: 20M $\Omega$  min
5. Dielectric withstanding voltage: 500V AC
6. Operating Temperature: -20°C to 50°C



FIXING HOLE VARIANTS:  
 $\varnothing 3.5$ mm CSK  $82^\circ$  x  $\varnothing 5.85$

'X' VERSION HAS  $\varnothing 2.5$  PLAIN HOLES.



'X' VERSION  
 $\varnothing 2.5$  PLAIN HOLES

**RoHS**  
COMPLIANT

**TOLERANCE**  
NO DEC. PLACE  $\pm$   
1 DEC. PLACE  $\pm$   
2 DEC. PLACE  $\pm$   
HOLE  $\varnothing$   $\pm$   
ANGLES  $\pm$   
UNLESS  
OTHERWISE STATED

**Cliff Electronic Components Ltd.**

76 Holmethorpe Avenue, Holmethorpe Industrial Estate,  
Redhill, Surrey, RH1 2PF, England, UK  
Tel: 01737-771375 Fax: 01737-766012 Website: www.cliffuk.co.uk

THE CONTENTS OF THIS DOCUMENT MUST NOT BE COPIED OR DISCLOSED TO A 3rd PARTY WITHOUT WRITTEN PERMISSION OF CLIFF UK. © 2015

DIMENSIONS IN MILLIMETERS UNLESS OTHERWISE STATED. WORK TO DIMENSIONS. REMOVE ALL BURRS. IF IN DOUBT ASK.

3rd ANGLE PROJECTION:

DO NOT SCALE

MATERIAL: See Notes

FINISH: See Notes

DRAWN: D.P.J.

APPROVED: D.P.J.

TITLE: FEED THROUGH USB 3.0 A to USB 3.0 A, Nickel Plated

DRWG. No. CP30205N

FORM: A4DRWGH