

# Customer Information Sheet

DRAWING No.: G125-MCXXX05MI-XXXXL

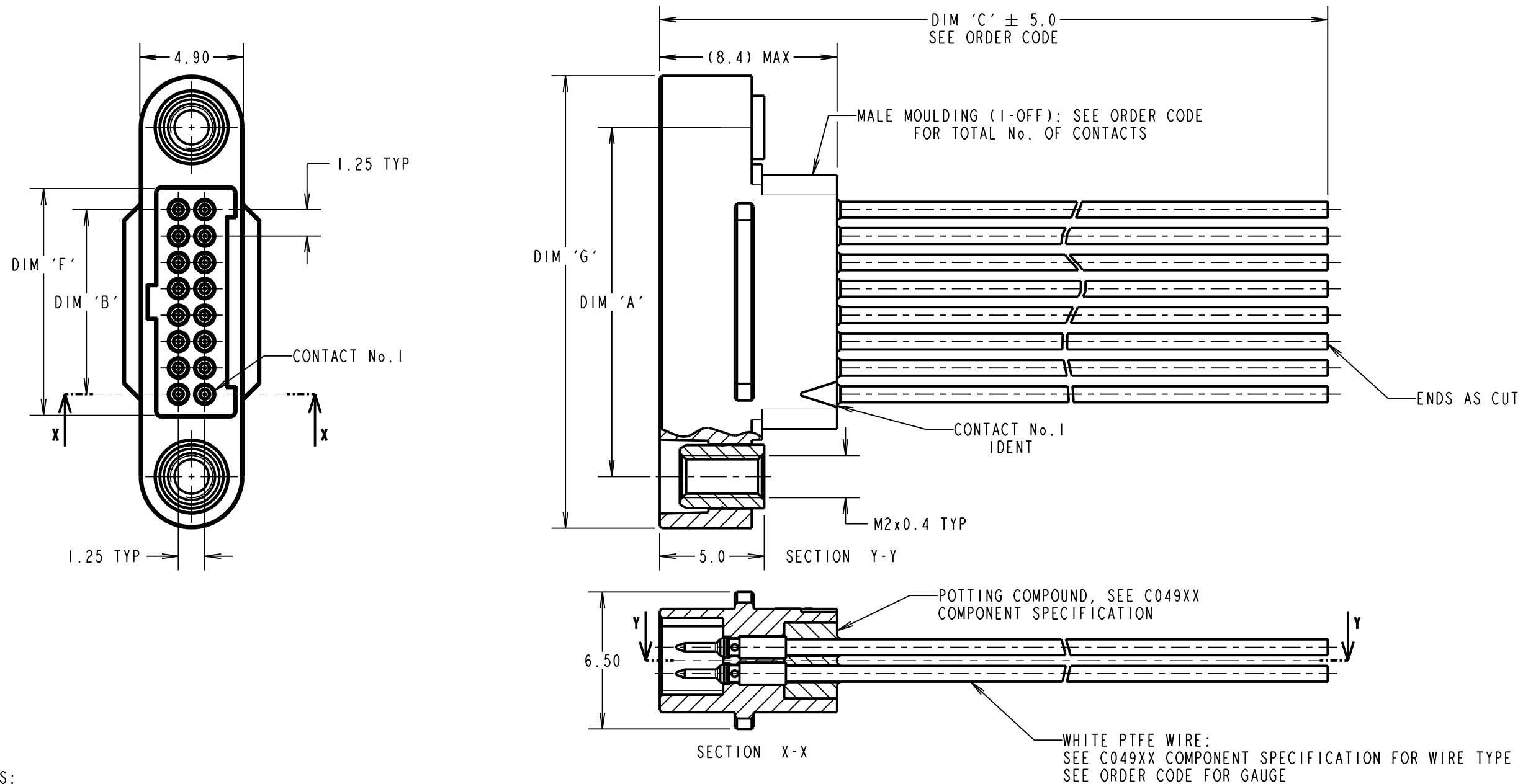
IF IN DOUBT - ASK

©

NOT TO SCALE

THIRD ANGLE PROJECTION

ALL DIMENSIONS IN mm



**NOTES:**

1. CABLE ASSEMBLIES WILL BE BULK PACKED IN BAGS.
2. CUSTOM LENGTH CABLE ASSEMBLIES CAN BE PRODUCED FROM 60mm TO 9999mm.
3. FOR COMPLETE SPECIFICATION SEE COMPONENT SPECIFICATIONS C049XX AND C125XX (LATEST ISSUES).

DIMENSION	MEASUREMENT
DIM 'A'	(TOTAL No. OF CONTACTS - 2) x 0.625 + 7.80
DIM 'B'	(TOTAL No. OF CONTACTS - 2) x 0.625 ± 0.20
DIM 'F'	(TOTAL No. OF CONTACTS - 2) x 0.625 + 2.00
DIM 'G'	(TOTAL No. OF CONTACTS - 2) x 0.625 + 12.7

**EXAMPLE PART No.**

12 CONTACT CONNECTOR WITH 150mm OF 26AWG WIRE =  
G125-MC11205MI-0150L  
50 CONTACT CONNECTOR WITH 450mm OF 28AWG WIRE =  
G125-MC25005MI-0450L



PATENTED TECHNOLOGY

**ORDER CODE:**

**G125-MCXXX05MI-XXXXL**

26 AWG = 1  
28 AWG = 2

TOTAL No. OF CONTACTS:  
06, 10, 12, 16,  
20, 26, 34, 50

DIM 'C' LENGTH:  
0060 = 60mm MIN  
9999 = 9999mm MAX

RTP	4	23.03.21	30101
NAME	ISS.	DATE	CN/CO
APPROVED: R.PORTLOCK			
CHECKED: R.ALEXANDER			
DRAWN: M.PERREN			
CUSTOMER REF.:			
ASSEMBLY DRG:			

**HARWIN**

www.harwin.com  
technical@harwin.com

THIS DRAWING AND ANY INFORMATION OR DESCRIPTIVE MATTER SET OUT HEREON ARE CONFIDENTIAL AND COPYRIGHT PROPERTY OF THE HARWIN GROUP AND MUST NOT BE DISCLOSED, LOANED, COPIED OR USED FOR MANUFACTURING, TENDERING OR FOR ANY OTHER PURPOSE WITHOUT THEIR WRITTEN PERMISSION.

**TOLERANCES**

X. = ±1mm  
X.X = ±0.50mm  
X.XX = ±0.20mm  
X.XXX = ±0.01mm  
ANGLES = ±5°  
UNLESS STATED

**MATERIAL:**

SEE ABOVE

**FINISH:**

SEE ABOVE

**S/AREA:**

mm<sup>2</sup>

**TITLE:**

GECKO SL MALE CRIMP  
CONNECTOR WITH PIGTAIL

**DRAWING NUMBER:**

**G125-MCXXX05MI-XXXXL**

SHT  
2  
OF  
2