

KXT2 Series

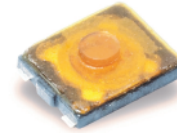
Double Action Ultra Low Profile Top Actuated

Features

- 3.9 x 3.0 mm footprint
- 1.05 mm thickness
- Dual action

Typical Applications

- Wearable electronics
- Mobile Phones
- Portable Electronics



Tactile Switches

B

Specification

FUNCTION: momentary action
 CONTACT ARRANGEMENT: Dual action = SPDT, N.O.
 TERMINALS: G type for SMT
 TRAVEL: 0.1 mm ± 0.05 mm
 TRAVEL: 0.2 mm + 0.1 / - 0.05 mm

Mechanical

	Operating force gf		Operating Life
KXT 211 LHS	Push force 1	100 ± 40	100,000
	Push force 2	200 ± 50	

Electrical

MAXIMUM VOLTAGE: 12 VDC
 MAXIMUM CURRENT DC: 50 mA
 DIELECTRIC STRENGTH: 250 V (50 Hz, 1 min.)
 CONTACT RESISTANCE: ≤ 500 mΩ
 INSULATION RESISTANCE: 100 MΩ
 BOUNCE TIME: ≤ 10 ms

Environmental

OPERATING TEMPERATURE: -40°C to 85°C
 STORAGE TEMPERATURE: -40°C to 85°C

Process

SOLDERING: This component is suited to the following methods:
 Infrared Reflow Soldering in accordance with IEC61760-1

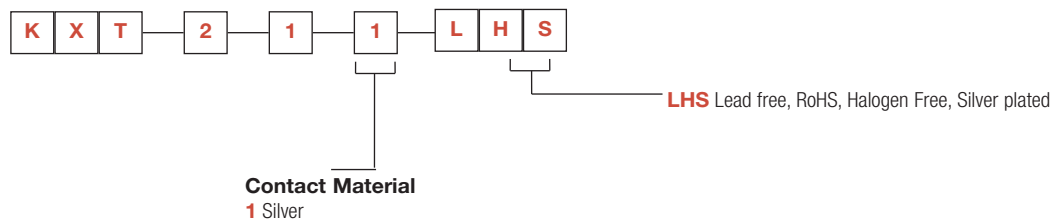
Packaging

In reels of 6,000 pieces
 Dimensions of reels according to EIA RS481 or IEC 2863
 External diameter 178 mm ± 2mm

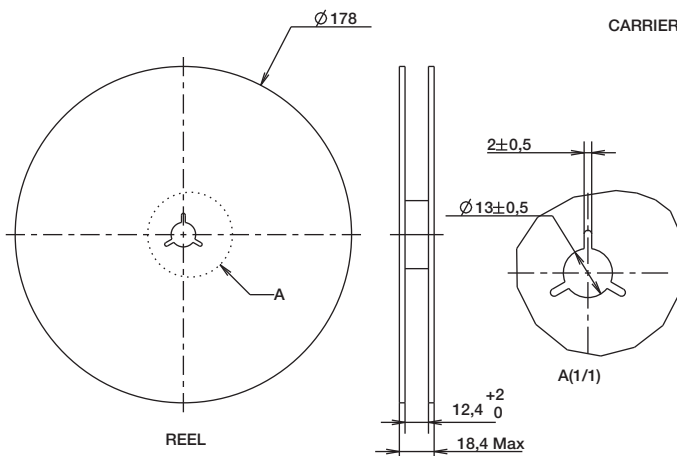
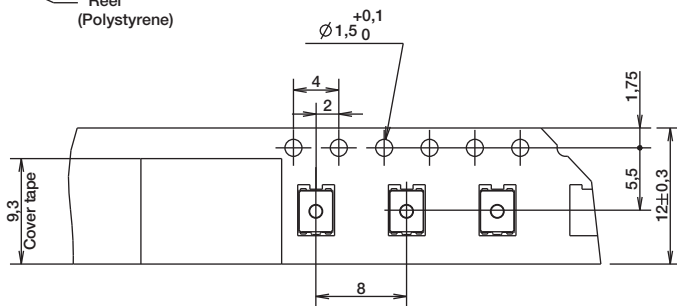
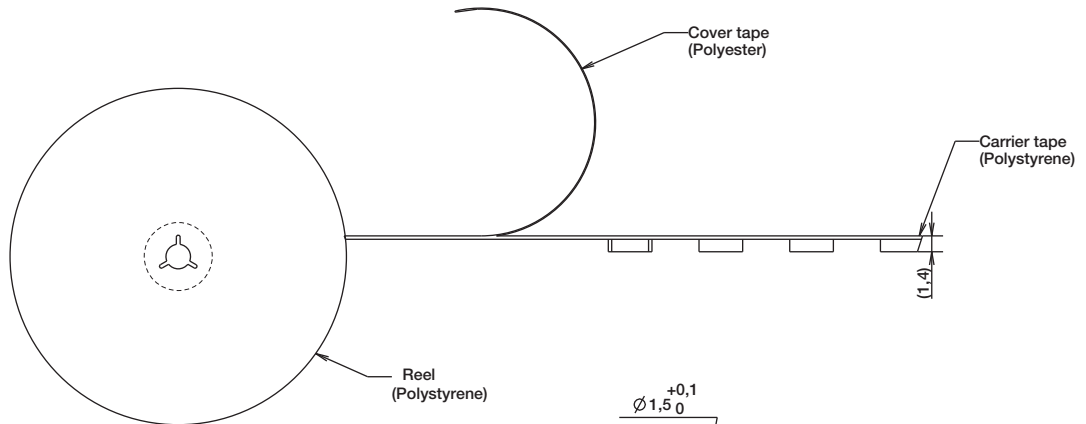
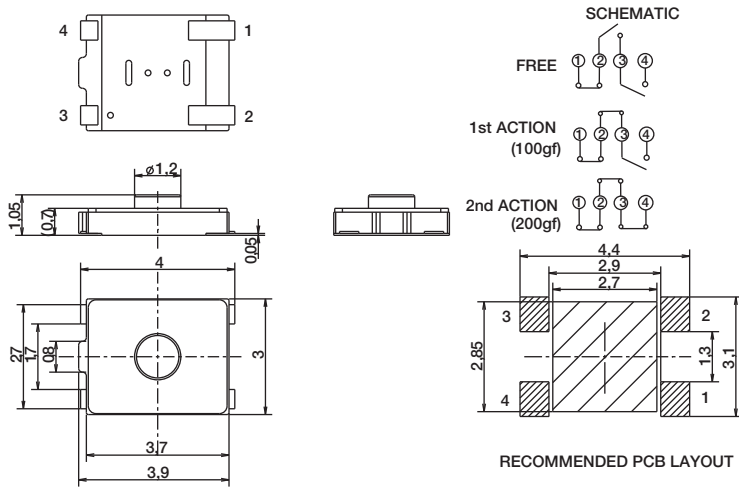
NOTE: Specifications listed above are for switches with standard options.
 For information on specific and custom switches, consult Customer Service Center.

Part Number Description

For any part number different from those listed above, please consult your local representative.



KXT2 Series Double Action Ultra Low Profile Top Actuated



Dimensions are shown: mm
Specifications and dimensions subject to change