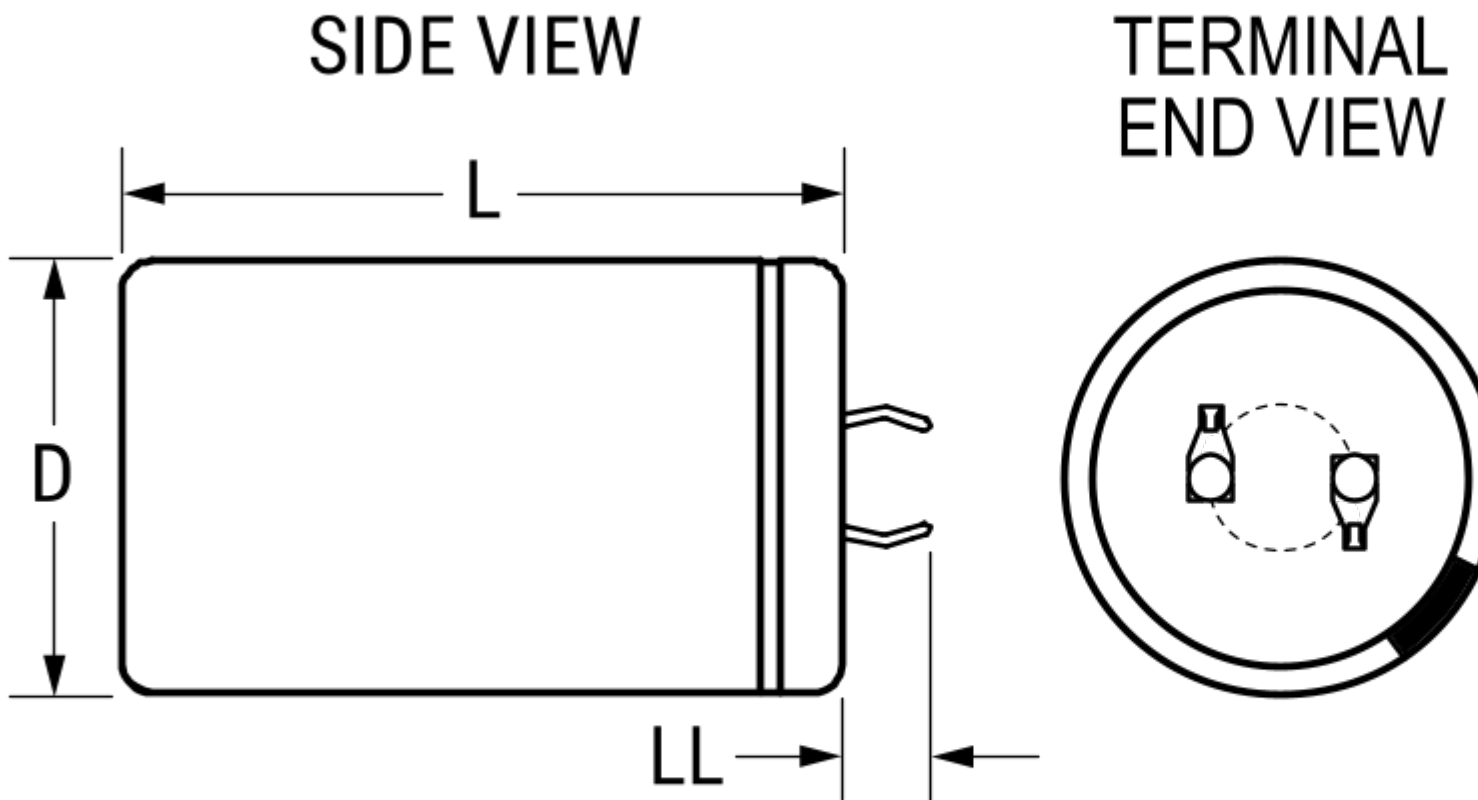


PEH536UAE3150M2

PEH536, Aluminum Electrolytic, 150 uF, 20%, 350 VDC, -40/+105°C



Click [here](#) for the 3D model.

Dimensions

- D 22mm +/-0.5mm
- L 40mm +/-1mm
- S 10mm +/-0.1mm
- LL 6.3mm +/-1mm
- F 2mm +/-0.1mm

Packaging Specifications

Packaging Bulk, Bag
Packaging Quantity 100

General Information

Series PEH536
Dielectric Aluminum Electrolytic
Description Snap-In, Aluminum Electrolytic
RoHS Yes
Lead 2 Pin
AEC-Q200 No
Component Weight 17 g
Notes Add 0.5mm To D And 1mm To L For Sleeving.
Shelf Life 208 Weeks

Specifications

Capacitance 150 uF
Capacitance Tolerance 20%
Voltage DC 350 VDC
Temperature Range -40/+105°C
Rated Temperature 105°C
Life 4600 Hrs (Rated Voltage And Ripple Current At 105C), 6000 Hrs (Rated Voltage At 105C)
Resistance 700 mOhms (100Hz 20C), 400 mOhms (100kHz 20C)
Ripple Current 0.74 Amps (100Hz 105C), 5.2 Amps (20kHz 40C)
Leakage Current 158 uA (5min 20°C)

Statements of suitability for certain applications are based on our knowledge of typical operating conditions for such applications, but are not intended to constitute - and we specifically disclaim - any warranty concerning suitability for a specific customer application or use. This Information is intended for use only by customers who have the requisite experience and capability to determine the correct products for their application. Any technical advice inferred from this Information or otherwise provided by us with reference to the use of our products is given gratis, and we assume no obligation or liability for the advice given or results obtained.

Generated 5/18/2023 - 08078427-8684-44fc-be56-0fe70ffdcdf1
© 2006 - 2023 KEMET
Generated 5/18/2023 - 08078427-8684-44fc-be56-0fe70ffdcdf1
© 2006 - 2023 KEMET