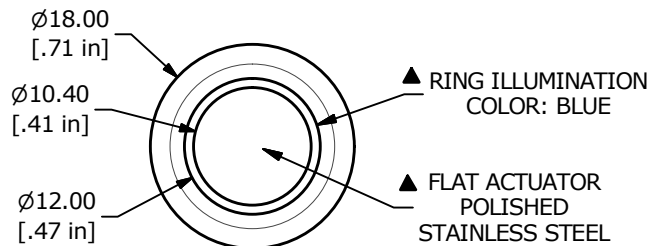
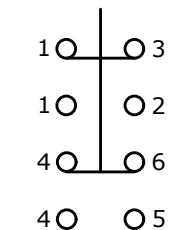


PANEL CUTOUT
 MAX. PANEL THICKNESS
 14.0mm [.55]

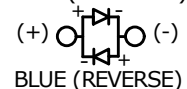


SWITCH FUNCTION	
POS. 1	POS. 2
ON	(ON)
1-3, 4-6	1-2, 4-5

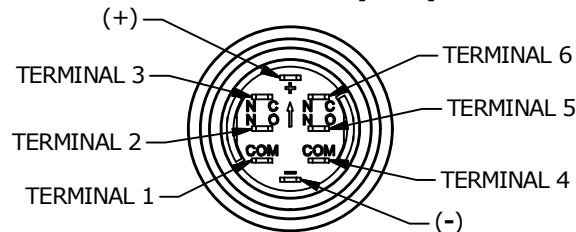
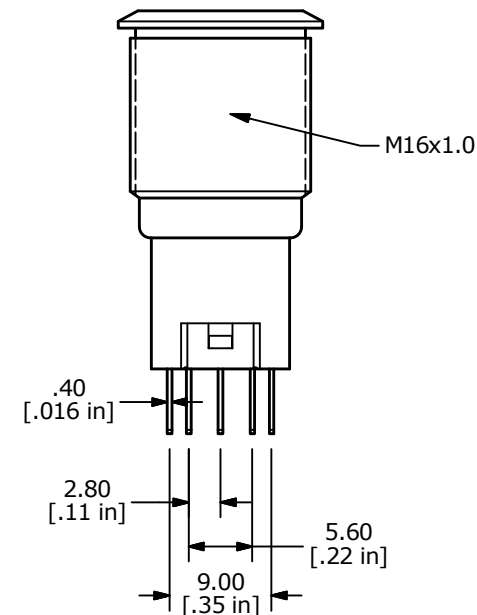
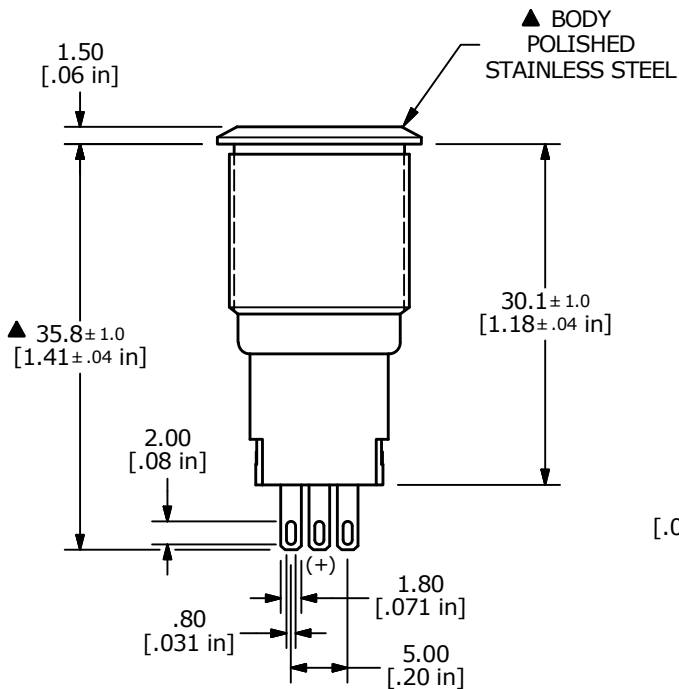
(ON) = MOMENTARY



BLUE (FORWARD)



▲ DPDT ON-(ON)
 CONTACT CONFIGURATION



NOTE:

- ALL DIMENSIONS IN MM [INCH]
- GENERAL TOLERANCE: X.X = ±0.4
 X.XX = ±0.25
- TERMINAL NUMBERS FOR REF ONLY
- CONTACT MATERIAL: SILVER
- RATING: 2A 48VDC
- ELECTRIC LIFE: 50,000 MAKE-AND-BREAK CYCLES AT FULL LOAD.
- INSULATION RESISTANCE: 1,000 MΩ MIN.
- DIELECTRIC STRENGTH: 2,000 VAC MIN. FOR 1 MINUTE
- CONTACT RESISTANCE: 50mΩ MAX. @ 1A 12VDC
- OPERATING TEMP.: -20°C to 55°C
- ▲ DENOTES CRITICAL PARAMETER.
- HARDWARE SUPPLIED: O-RING AND HEXNUT
- INGRESS RATING: IP40
- LAMP VOLTAGE: 2.8V

REV	PCR NO	DESCRIPTION	DATE	BY
H	23622	update +/- Terminals	2/25/19	MW
G	23363	UPDATED RATING TO 2A 48VDC	5/11/18	MJR
F	22886	UPDATED RATING TO 1A 24VDC	6/19/17	MJR



TITLE PV3F2H0SS-341				
SCALE 3:2	DATE 1/26/2012	DR BMA	DWG 52-PV3F2H0SS341	REV H

THE INFORMATION CONTAINED IN THIS DOCUMENT IS PROPRIETARY TO E-SWITCH AND IS NOT TO BE COPIED OR TRANSFERRED