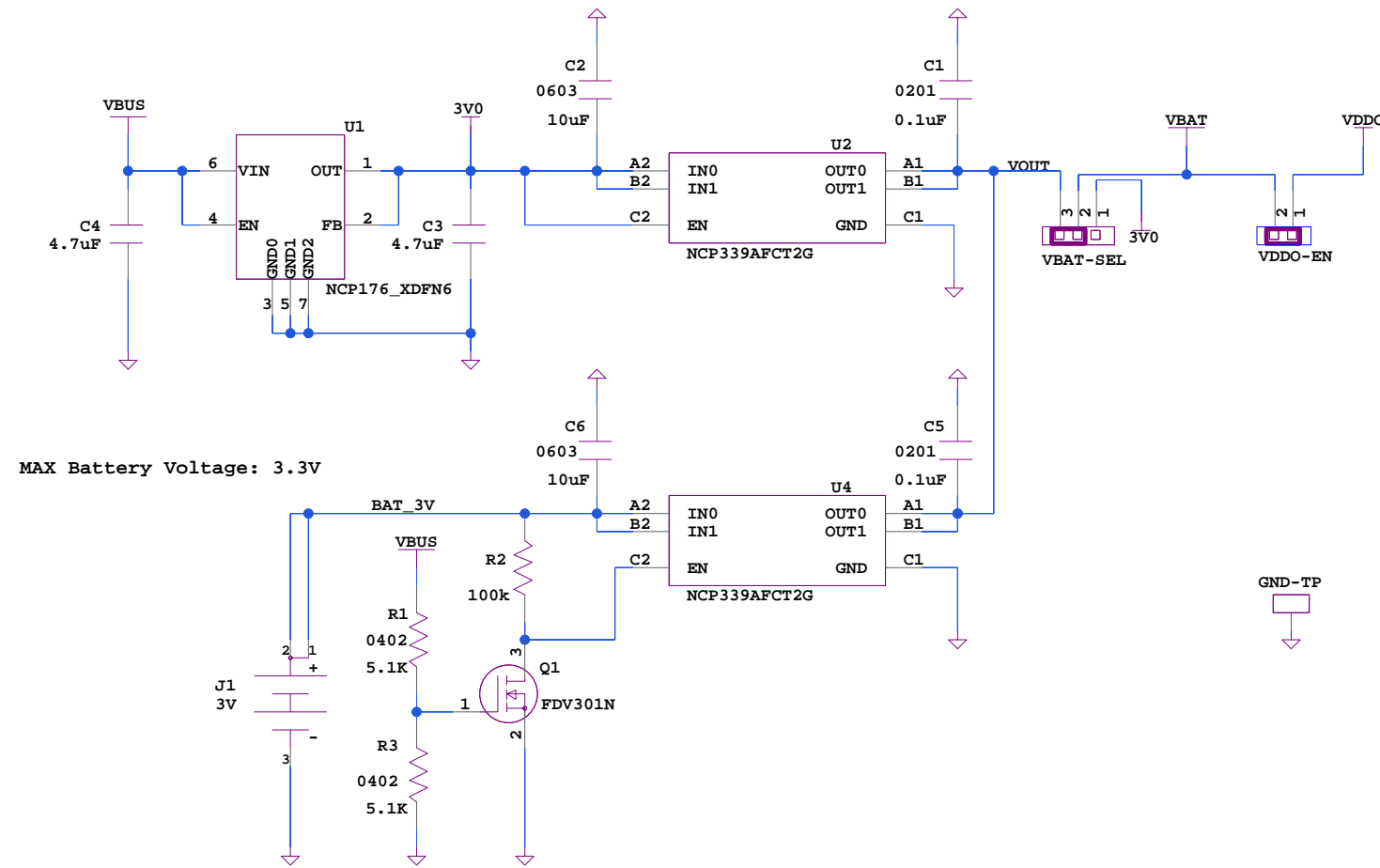


POWER SUPPLY



REVISION HISTORY
 V1.0 Initial Design
 V1.1 Corrected issues found during bring-up



ON Semiconductor®

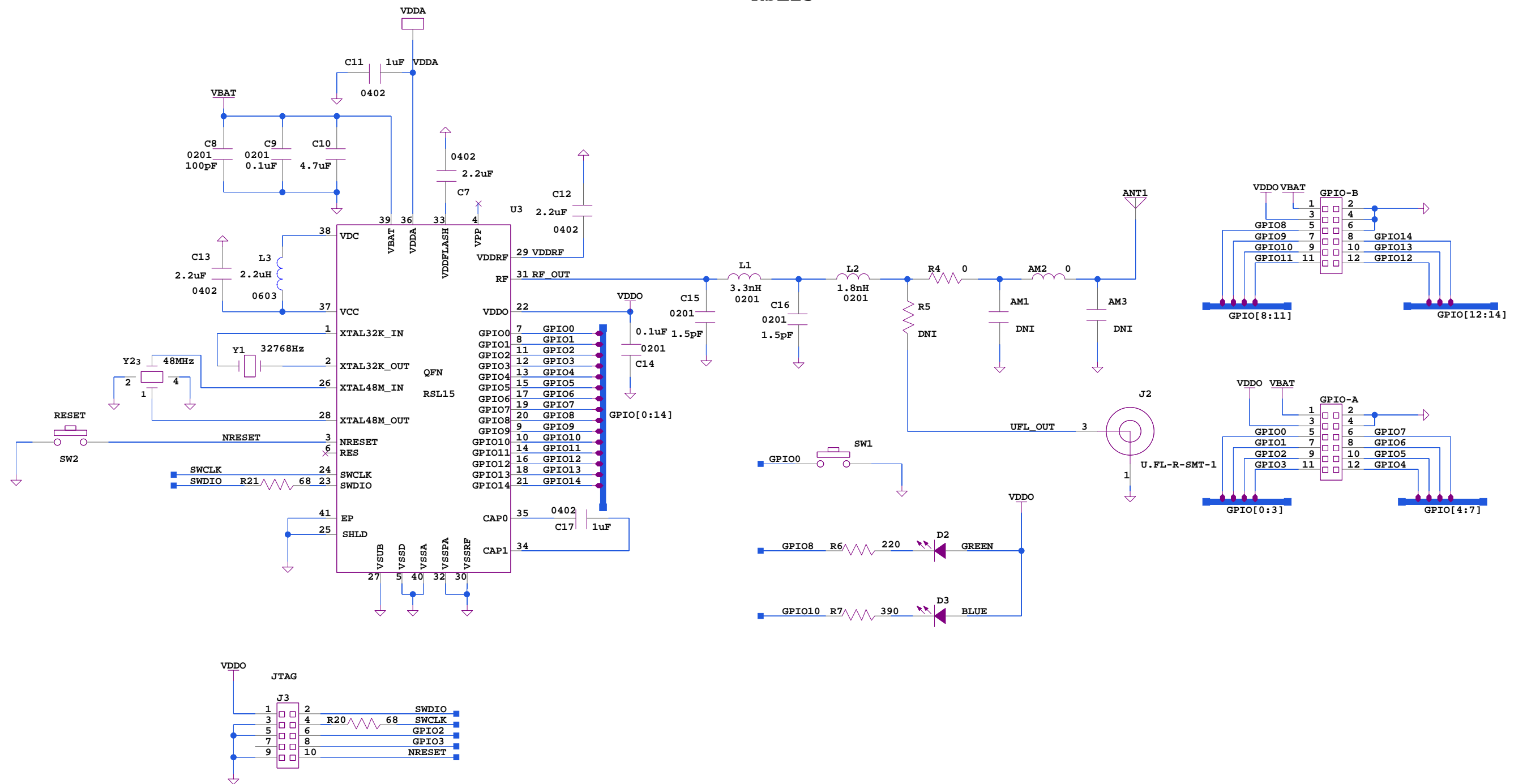
611 Kumpf Drive, Unit 200
 Waterloo, Ontario
 Canada, N2V 1K8

TITLE RSL15_EVB
 Power Supply

SIZE B	DWG NO	REV 1.1
-----------	--------	------------

DRAWN BY M.C	DATE Feb. 12, 2021	SHEET 1 of 3
-----------------	-----------------------	-----------------

RSL15

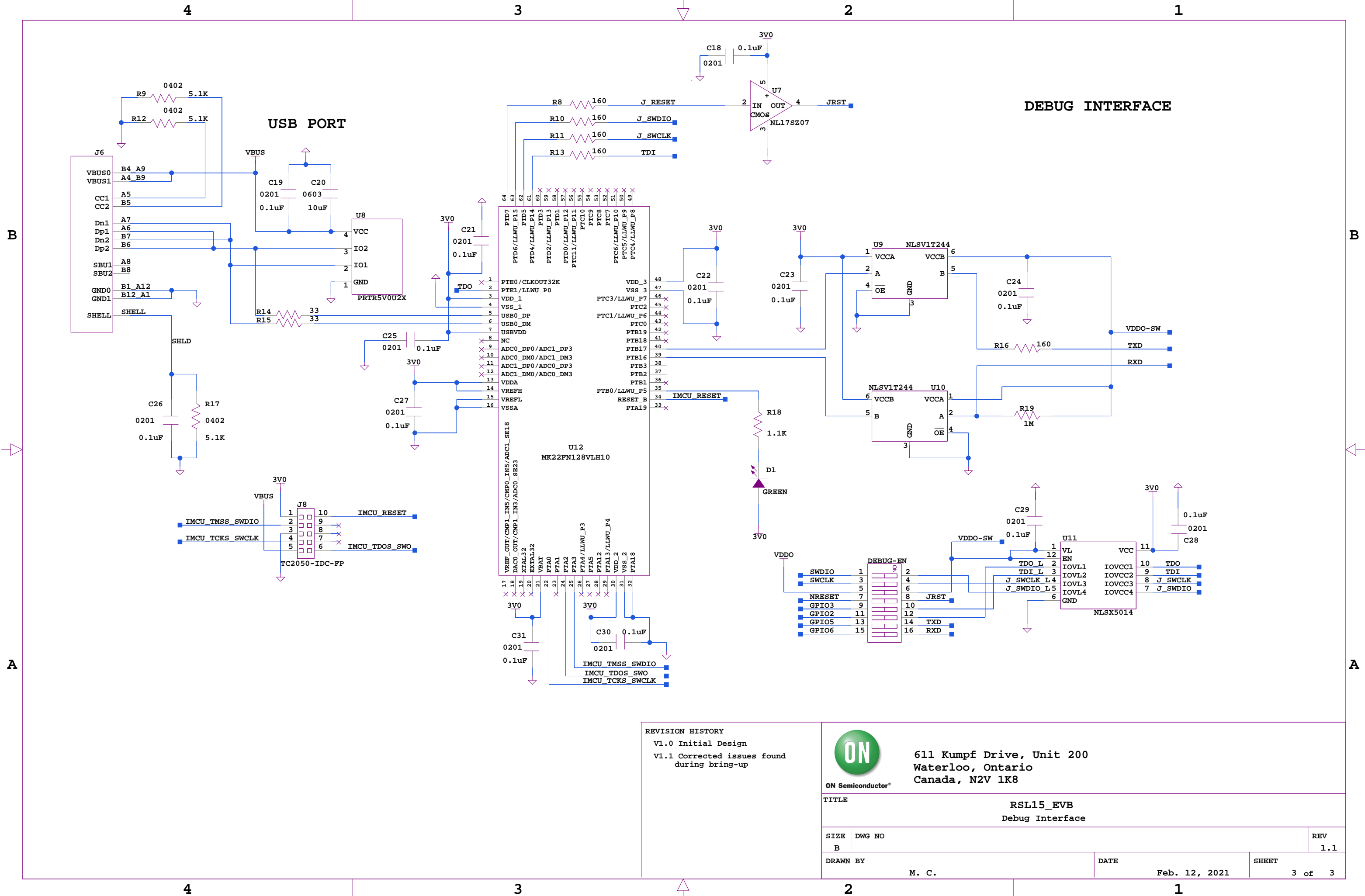


REVISION HISTORY
 V1.0 Initial Design
 V1.1 Corrected issues found during bring-up




611 Kumpf Drive, Unit 200
 Waterloo, Ontario
 Canada, N2V 1K8

TITLE		RSL15_EVB RSL15	
SIZE	DWG NO	REV	
B		1.1	
DRAWN BY		DATE	SHEET
M. C.		Feb. 12, 2021	2 of 3



REVISION HISTORY

V1.0	Initial Design
V1.1	Corrected issues found during bring-up

 ON Semiconductor®		611 Kumpf Drive, Unit 200 Waterloo, Ontario Canada, N2V 1K8	
		TITLE: RSL15_EVB Debug Interface	
SIZE	DWG NO	REV	
B		1.1	
DRAWN BY		DATE	SHEET
M. C.		Feb. 12, 2021	3 of 3