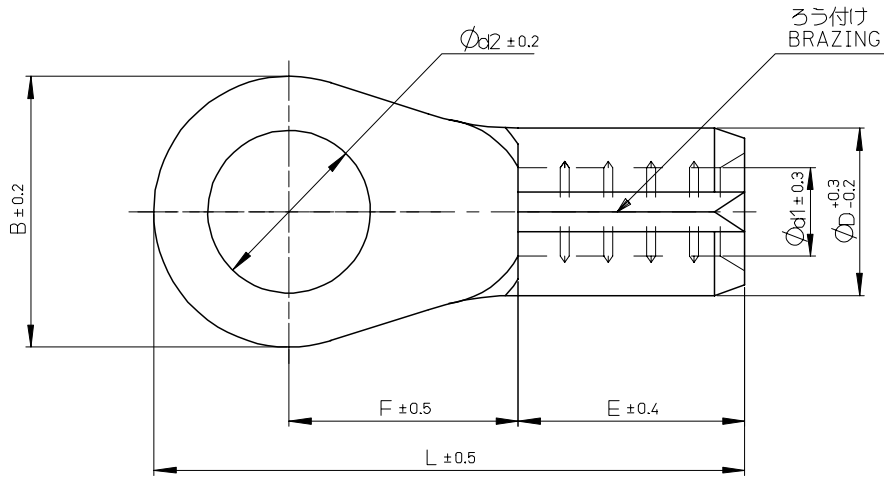


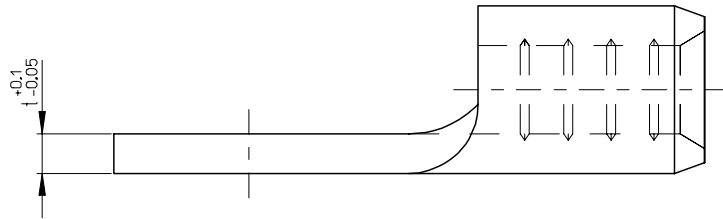
10 9 8 7 6 5 4 3 2 1



注記 NOTES

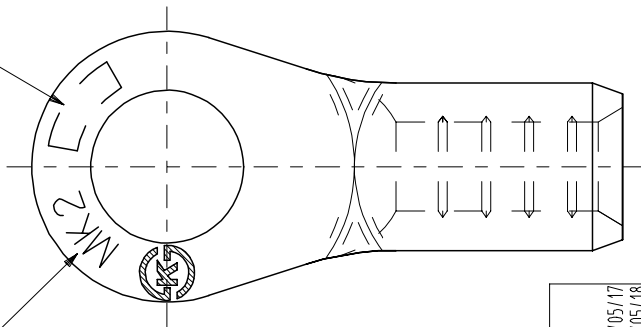
- 1 材質 MATERIAL
 端子：無酸素銅、錫めっき
 TERMINAL: OXYGEN-FREE COPPER, TIN PLATING
 ろう付け部：りん銅ろう
 PART OF BRAZING : COPPER PHOSPHORUS BRAZING FILLER METALS
- 2 適用電線 APPLICABLE WIRE RANGE

単線 SOLID WIRE	撚線 STRANDED WIRE
1.82-2.89 mm	2.63-6.64 mm ²



呼び
NOMINAL SIZE

トレードマーク
TRADE MARK



1	21	48	25.7	6.5	3.5	5.6	5.5	20	50856-7912	
	17							16	50856-7812	
	15							14	50856-7712	
	5.3	12	L5					50856-7612		
		8	S5					50856-7512		
	4.3	18.3	8.5					7.1	M4	50856-7412
								7.2	M3.5	50856-7312
	3.7	15.8	5.9					7.1	S3.5	50856-7212
7.2				M3	50856-7112					
3.2	18.3	8.5	7.1	M3	50856-7112					
			7.2	S3	50856-7012					
t	Ød2	L	F	E	Ød1	ØD	B	呼び NOMINAL SIZE	ENG. NO.	

RELEASED EC NO: J2007-0312 DRW: H.YAJIMA 2007/05/17 CHK: K.KASAHARA 2007/05/18 APPR: NUKITA 2007/05/18	GENERAL TOLERANCES (UNLESS SPECIFIED)		DIMENSION STYLE MM ONLY		SCALE ---	DESIGN UNITS METRIC	THIRD ANGLE PROJECTION	
	10 UNDER	± ---	DRAWN BY H. YAJIMA	DATE '06/08/23	TITLE RING TERMINAL			
	10 OVER 30 UNDER	± ---	CHECKED BY K. KASAHARA	DATE '06/08/23	MATERIAL NO. SEE CHART			
	30 OVER	± ---	APPROVED BY N. UKITA	DATE '06/08/23	DOCUMENT NO. SD-50856-001			
	ANGULAR	± --- °	DRAFT WHERE APPLICABLE MUST REMAIN WITHIN DIMENSIONS		SIZE A3		SHEET NO. 1 OF 1	