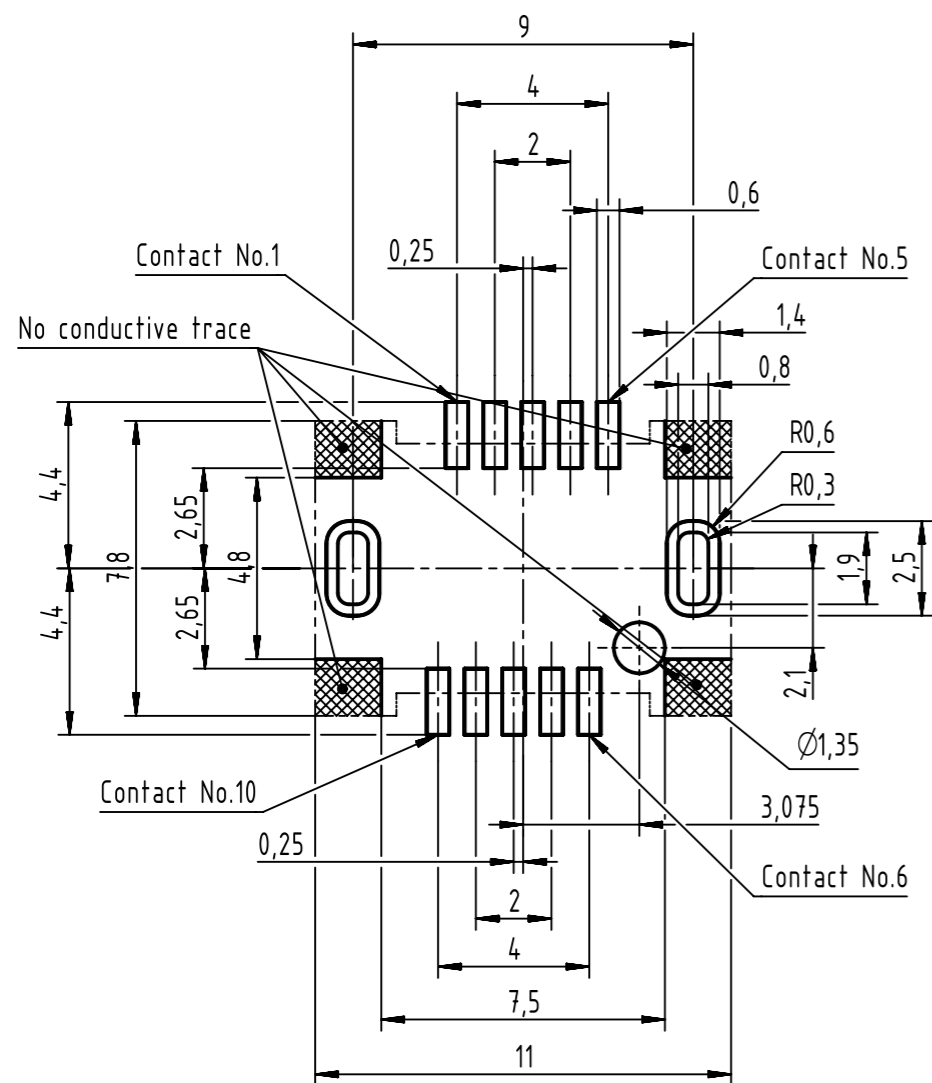


09452819002: Tape & reel packaging (450 pcs.)
09452819002333: Single packaging (1 pcs.)

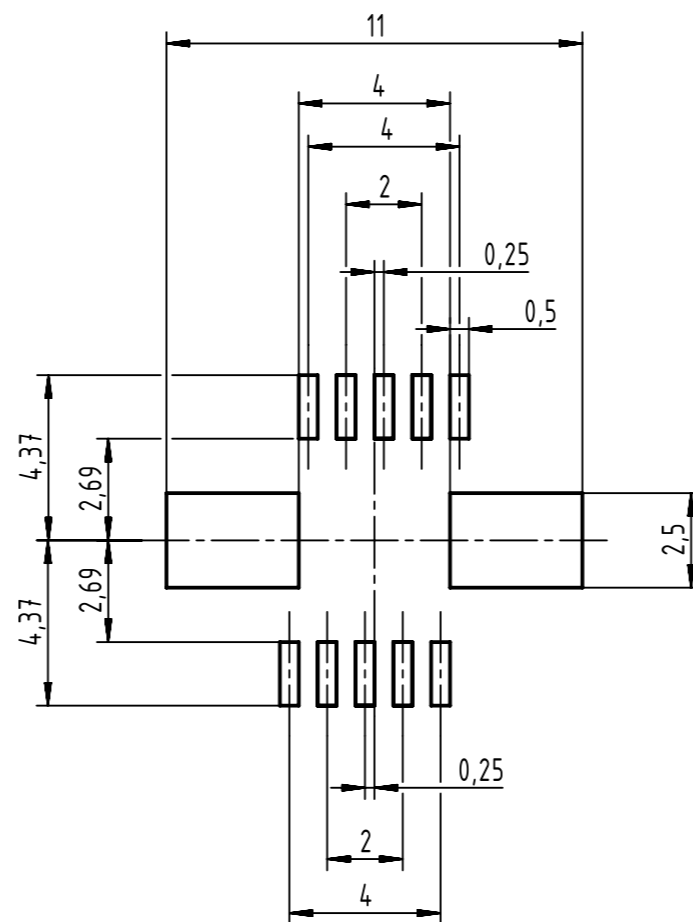
This product is mounted by reflow soldering.
Contact material: copper alloy
Contact area: 0.2µm min.
Lead area: 0.03µm min.
Under plating: 2µm min.

	All Dimensions in mm Original Size DIN A3		Scale 5:1	Free size tol.		Ref.	
	All rights reserved Department EL PD		Created by 402602	Inspected by PRIESTER	Standardisation HOFFMANN	Date 2020-05-13	State Final Release
HARTING Electronics GmbH D-32339 Espelkamp		Title ix Industrial 10B-1 jack V (T&R450)				Doc-Key / ECM-Nr. 100801918/UGD/000/C 500000172455	
		Type TB	Number 09452819002			Rev. C	Page 1/3

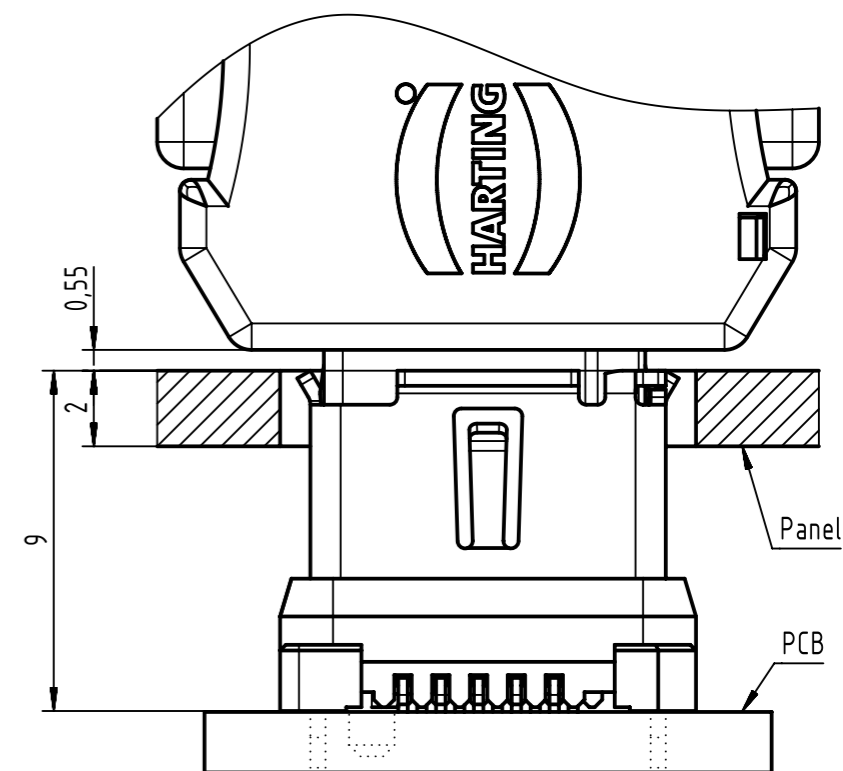
Reference PCB Layout (t=1.6)



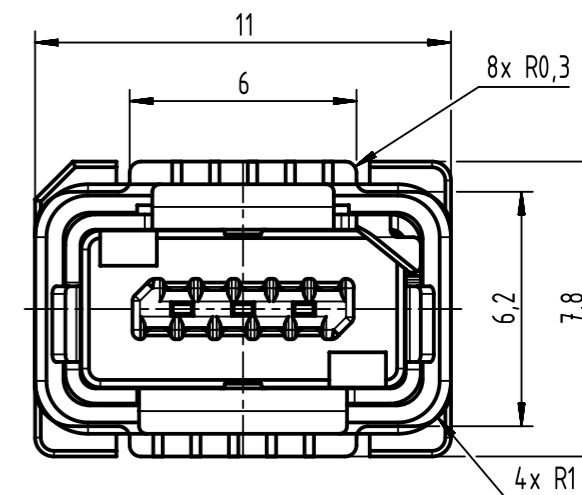
Example Metal Mask Layout (t=0.15)
(SMD pitch >14.5)

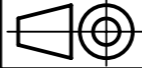


Mated condition

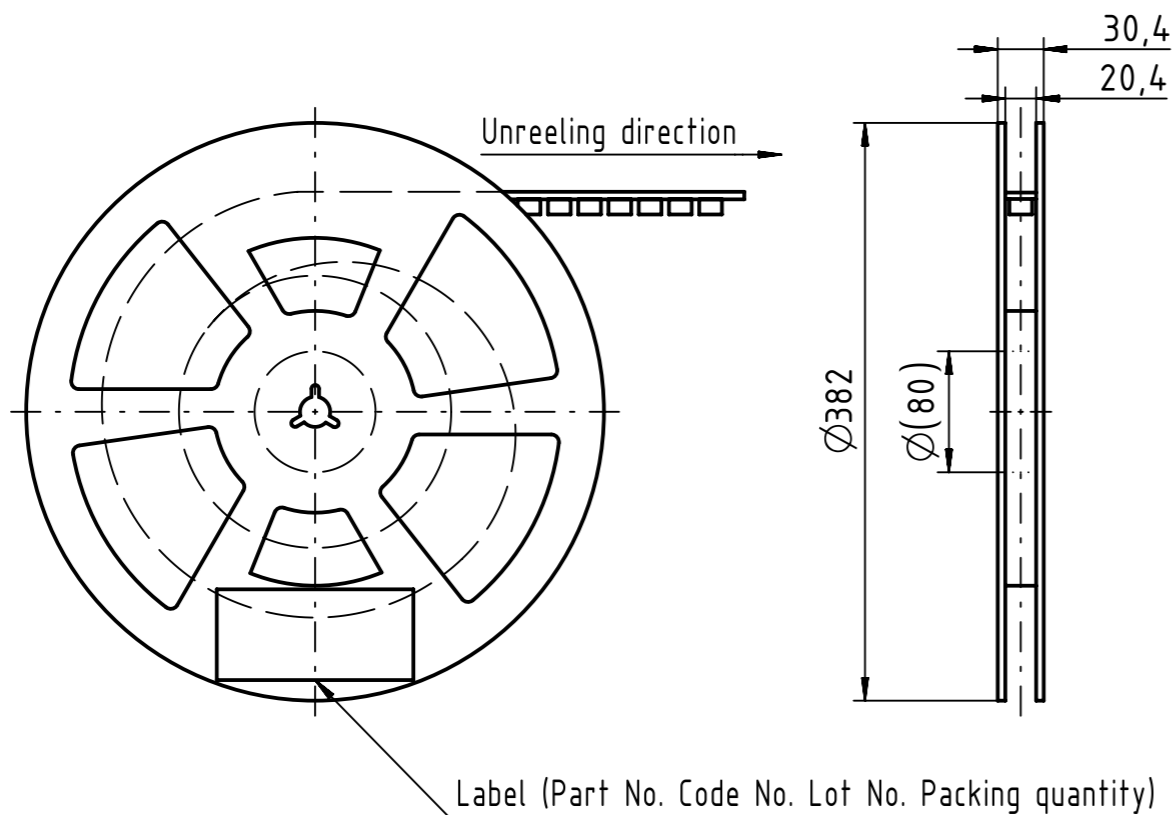
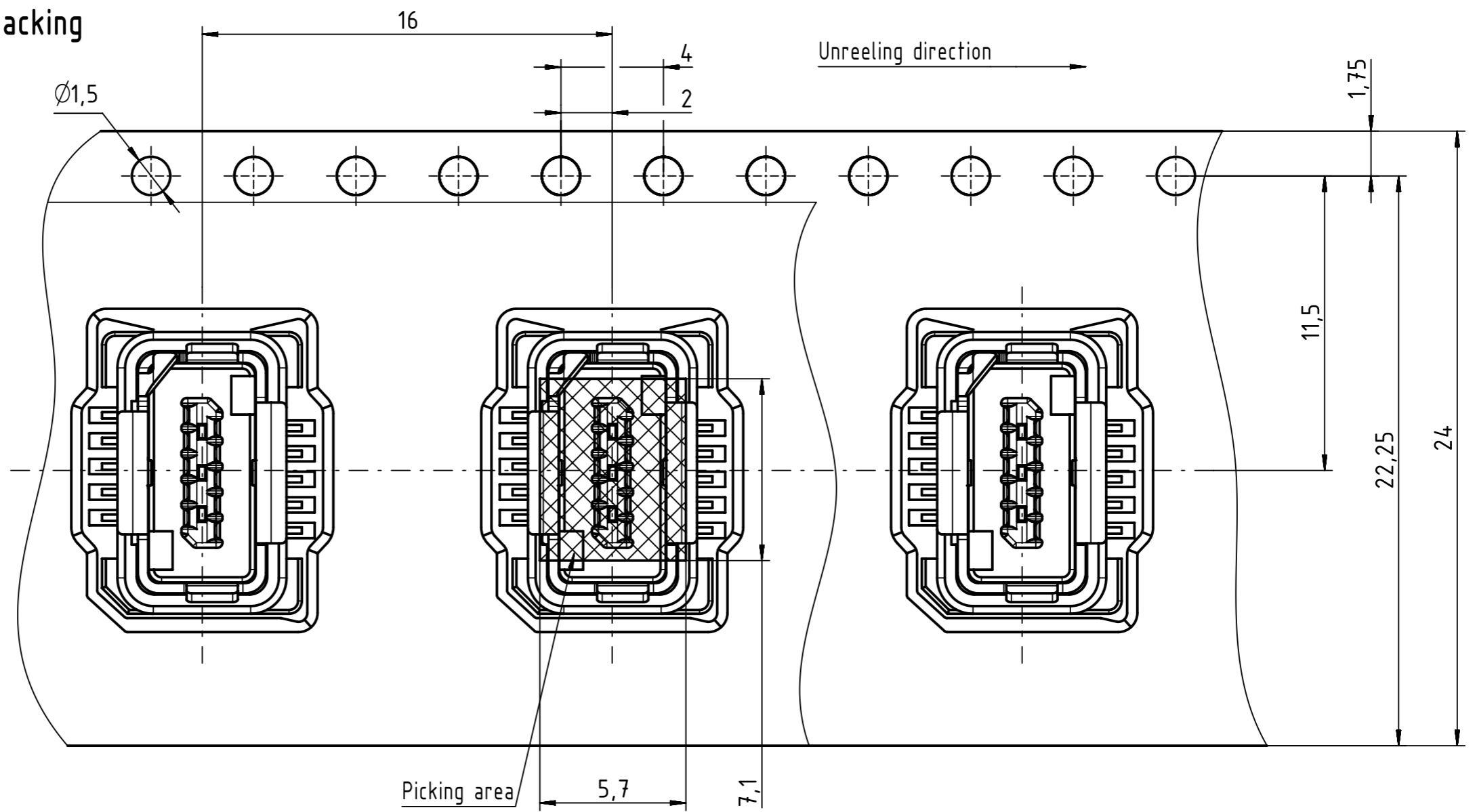


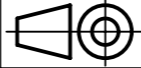
Reference dimensions
of panel cut out



	All Dimensions in mm Original Size DIN A3	Scale 5:1	Free size tol.	Ref.	
	All rights reserved Department EL PD	Created by 402602	Inspected by PRIESTER	Standardisation HOFFMANN	Date 2020-05-13
HARTING Electronics GmbH D-32339 Espelkamp	Title ix Industrial 10B-1 jack V (T&R450)			Doc-Key / ECM-Nr. 100801918/UGD/000/C 500000172455	
	Type TB	Number 09452819002		Rev. C	Page 2/3

Drawing for packing



	All Dimensions in mm Original Size DIN A3		Scale 5:1	Free size tol.		Ref.	
	All rights reserved Department EL PD		Created by 402602	Inspected by PRIESTER	Standardisation HOFFMANN	Date 2020-05-13	State Final Release
HARTING Electronics GmbH D-32339 Espelkamp		Title ix Industrial 10B-1 jack V (T&R450)			Doc-Key / ECM-Nr. 100801918/UGD/000/C 500000172455		Page 3/3
		Type TB	Number 09452819002		Rev. C		