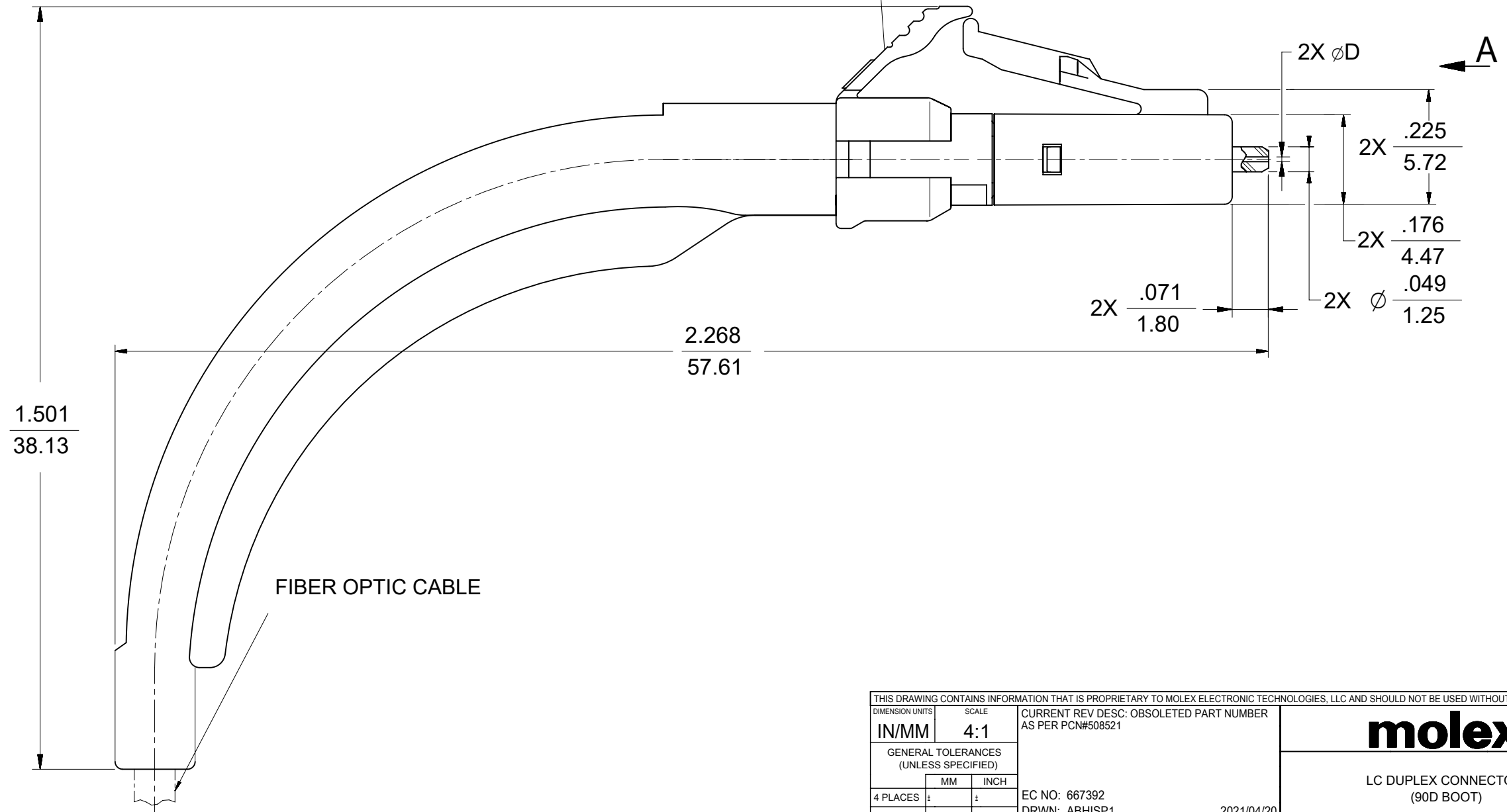
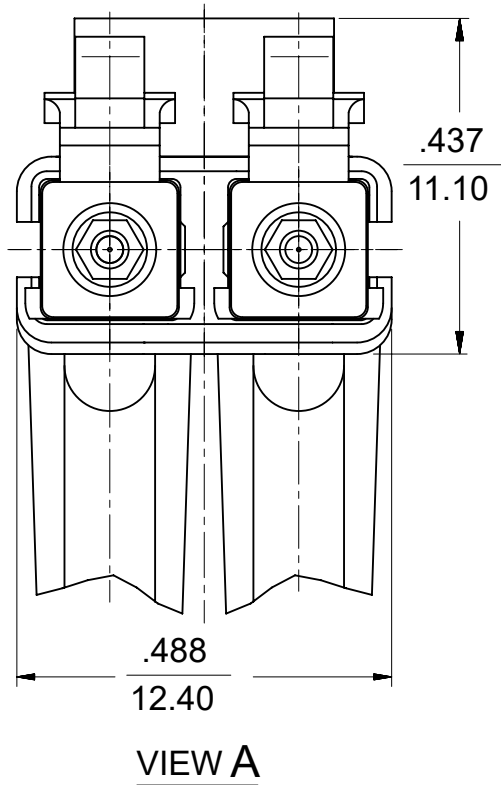
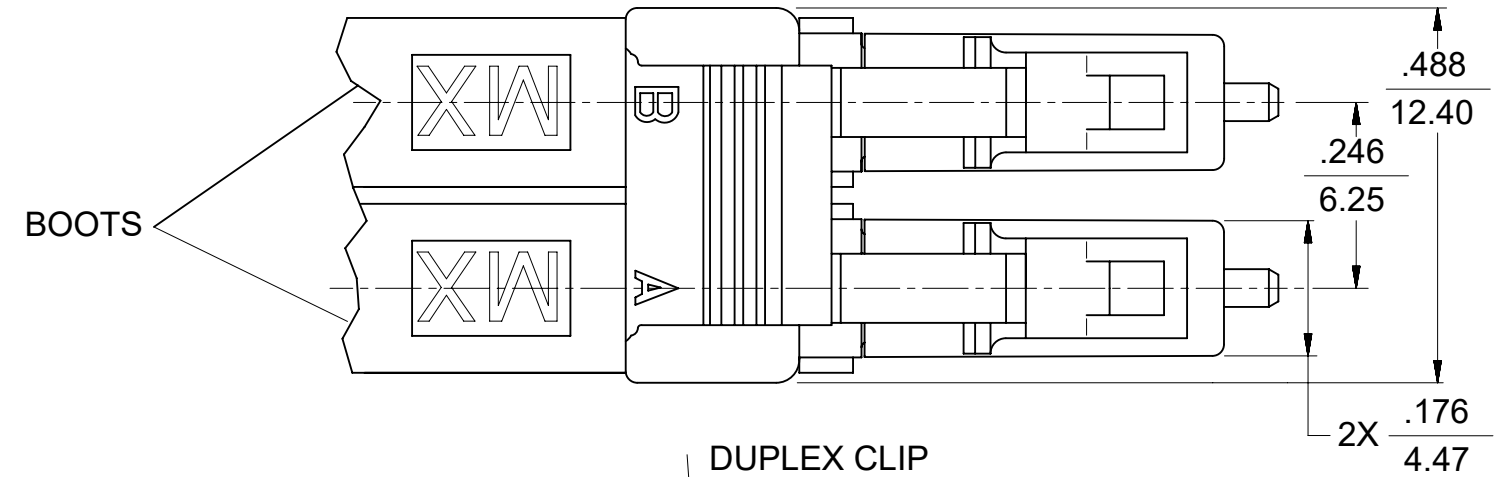


CONNECTOR P/N	∅D (μm)	CONNECTOR BODY COLOR	BOOT COLOR	CABLE ∅ (mm)	CABLE TYPE
106025-3400	127.00	BEIGE	WHITE	1.6	MULTIMODE
106025-3600				2.0	
106025-4400	125.00	BLUE		1.6	SINGLE MODE
106025-4600				2.0	
106025-5400	126.00	BLUE		1.6	
106025-5600				2.0	
106025-6400	125.25	BLUE		1.6	
106025-6600				2.0	



NOTES:
1. DUPLEX CLIP AND BOOTS SHOULD BE ASSEMBLED AFTER POLISHING OPERATION.

THIS DRAWING CONTAINS INFORMATION THAT IS PROPRIETARY TO MOLEX ELECTRONIC TECHNOLOGIES, LLC AND SHOULD NOT BE USED WITHOUT WRITTEN PERMISSION

DIMENSION UNITS IN/MM	SCALE 4:1	CURRENT REV DESC: OBSOLETE PART NUMBER AS PER PCN#508521	molex		
GENERAL TOLERANCES (UNLESS SPECIFIED)		EC NO: 667392			
4 PLACES ±	MM	INCH	DRWN: ABHISP1	2021/04/20	PRODUCT CUSTOMER DRAWING
3 PLACES ±	MM	INCH	CHK'D: GGA	2021/07/05	
2 PLACES ±	MM	INCH	APPR: GGA	2021/07/05	DOCUMENT NUMBER SD-1060EE-EEE0
1 PLACE ±	MM	INCH	INITIAL REVISION:	2005/09/07	
0 PLACES ±	MM	INCH	DRWN: PGIBLIN	2005/09/07	DOC PART 001
ANGULAR TOL ± 0.5°			APPR:		REVISION B
DRAFT WHERE APPLICABLE MUST REMAIN WITHIN DIMENSIONS	THIRD ANGLE PROJECTION	DRAWING B-SIZE	SERIES 106025	MATERIAL NUMBER SEE TABLE	CUSTOMER GENERAL MARKET
					SHEET NUMBER 1 OF 1