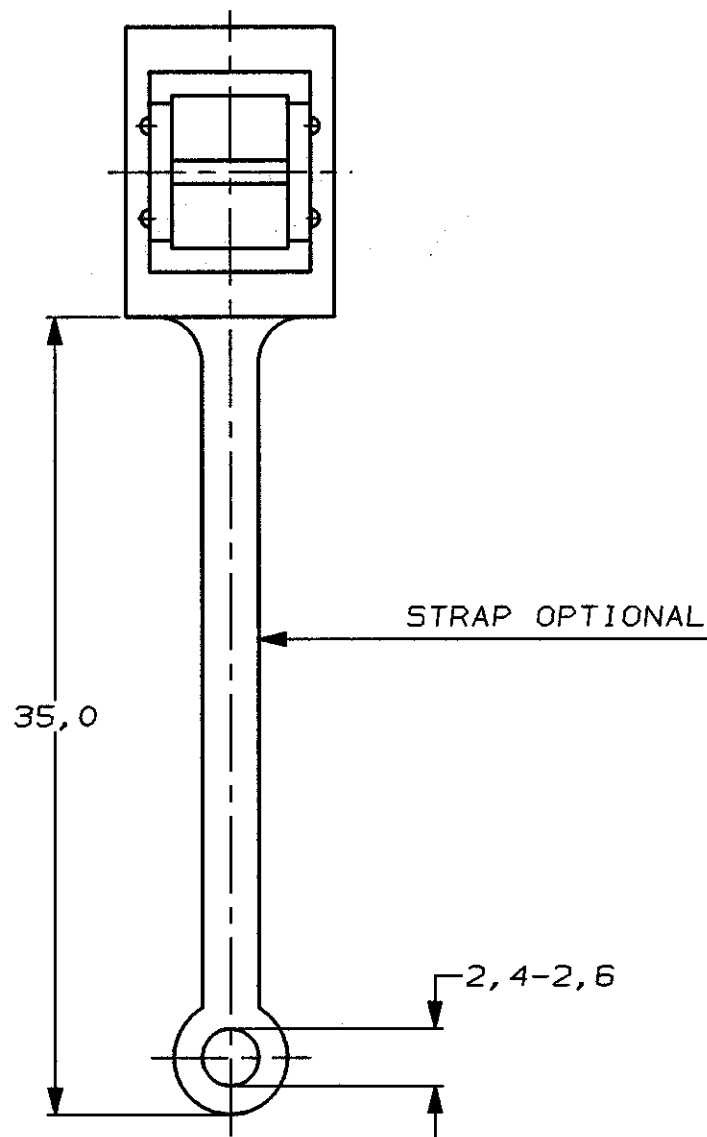
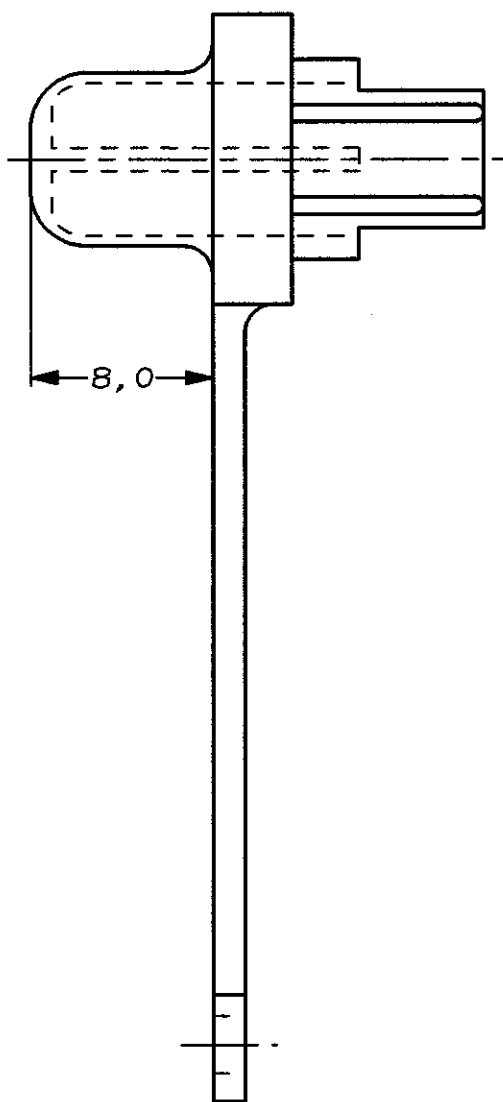
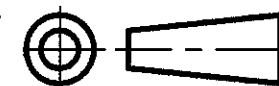


DO NOT SCALE

DIMENSIONS IN mm

METRIC

THIRD ANGLE
PROJECTION



NOTES:

⚠ MATERIAL: THERMOPLASTIC ELASTOMER

NO STRAP	BLUE , RAL 5015	⚠	0-106880-4
STRAP TYPE	BLUE , RAL 5015	⚠	0-106880-3
NO STRAP	GREEN, RAL 6018	⚠	0-106880-2
STRAP TYPE	GREEN, RAL 6018	⚠	0-106880-1
	COLOR	MATERIAL	PARTNUMBER

F	EH-0731-96	AM	JWR	18 JUN 96
E	EH-0674-94	HdB	HdB	11 OKT 94
D	-	WV	JP	07 JUN 94
C	-	WV	JP	25 MEI 94
B	-	WV	JP	03 MEI 94
A	-	WV	JP	28 JAN 94
O	-	TH	JP	05 JAN 94

CUSTOMER DRAWING FOR REFERENCE ONLY
WILL NOT BE UPDATED
© COPYRIGHT 19- BY AMP HOLLAND B.V.
ALL INTERNATIONAL RIGHTS RESERVED. AMP PRODUCTS MAY BE
COVERED BY U.S. AND FOREIGN AND/OR PATENTS PENDING.
THIS DRAWING IS UNPUBLISHED
RELEASED FOR PUBLICATION _____, 19____



NAME
DUST COVER, RECEPTACLE
AMP SC

DR. : A. WOODDORP	CHK. : J. V. RIETVELD	APP. : D. SHAKMAN	DWG. No.	REV. LTR.	SHEET
DATE: 18 JUN 96	DATE: 27 JUN 96	DATE: 27/06/96	C-106880	F	1 OF 1