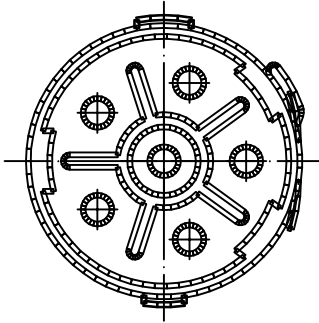
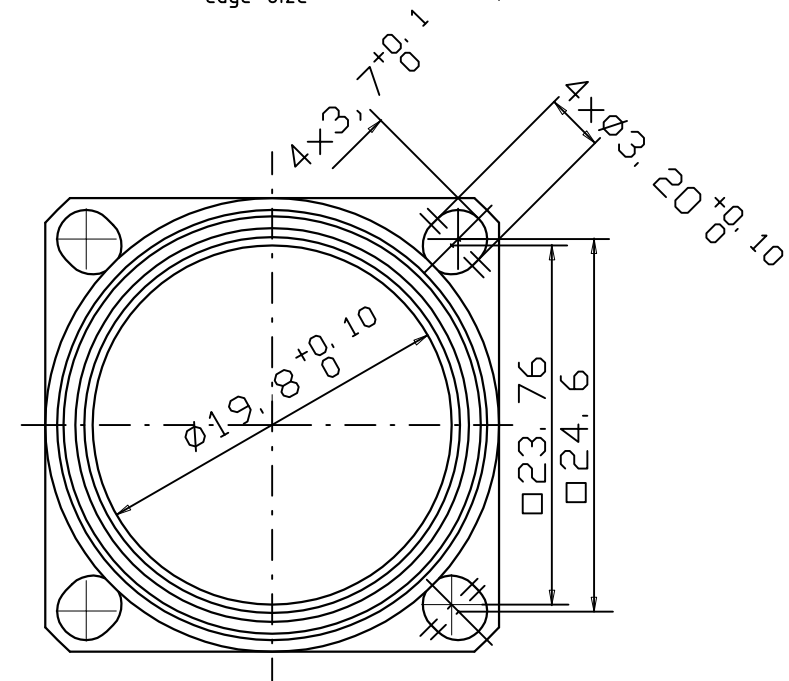
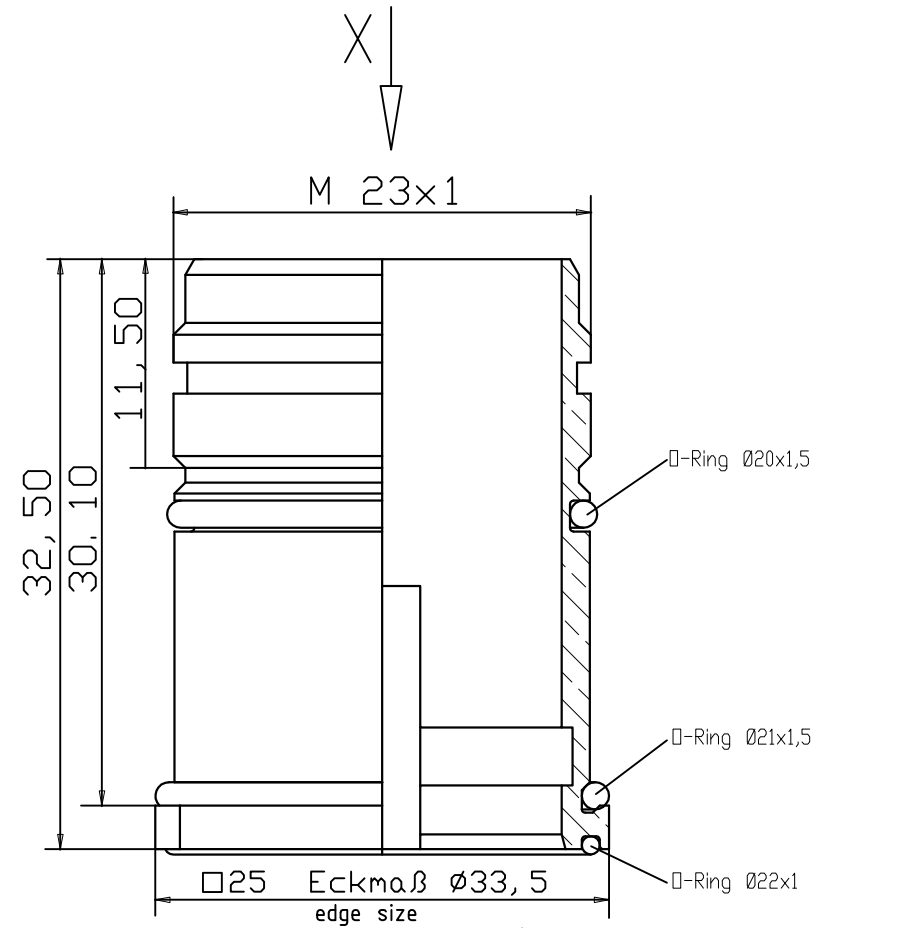
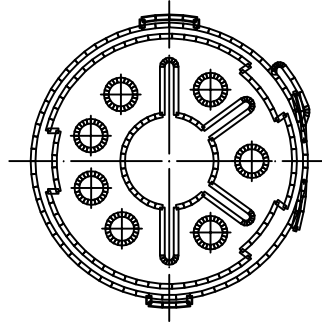


Views from "X" rotated

6-Pole
(5+1)



8-Pole



Notes:

Tolerances (unless specified): DIN ISO 2768 m

	Cable Diameter	Crimp Contacts	Without Contacts
6 Pole (5+PE)		KRP6G46-1031 1202340017	KRP6G46-0031 1202340018
	Crimp range*	0,75-2,5mm ²	
8 Pole (4+3+PE)		KRP8G46-1131 1202340019	KRP8G46-0031 1202340020
	Crimp range*	0,25-1,0mm ² /0,75-2,5mm ²	

*Crimp range only applies to "Crimp Contacts" version

DESCRIPTION EC NO: WEU2009-0135 DRWN: BBRAUCH 2008/11/21 CH'KD: --- APPR: JKOLB 2009/03/02	QUALITY SYMBOLS	GENERAL TOLERANCES (UNLESS SPECIFIED)		DIMENSION STYLE	SCALE	DESIGN UNITS	FIRST ANGLE PROJECTION
	▽ = 0	mm	INCH	MM	---	METRIC	
	▽C = 0	4 PLACES ±----	±----	DRAWN BY	DATE	M23 BACK PM RECEPT. MALE FLANGE-MOUNT 4 X DIA 3.2MM	
		3 PLACES ±----	±----	BB	2008/11/21	MOLEX INCORPORATED	
	2 PLACES ±0.05	±----	CHECKED BY	DATE	MATERIAL NO. DOCUMENT NO. SHEET NO. see table SD-120234-005 1 OF 1		
	1 PLACE ±0.1	±----	APPROVED BY	DATE	THIS DRAWING CONTAINS INFORMATION THAT IS PROPRIETARY TO MOLEX INCORPORATED AND SHOULD NOT BE USED WITHOUT WRITTEN PERMISSION		
	ANGULAR ± --- °	DRAFT WHERE APPLICABLE MUST REMAIN WITHIN DIMENSIONS		SIZE			
1	REV			A3			