

MATERIALS AND FINISHES

SMA JACK STR BKHD RM
 BODY: BRASS
 PLATED GOLD

CENTER CONTACT: PHOSPHOR BRONZE
 PLATED GOLD

INSULATOR: PTFE

JAM NUT: BRASS
 PLATED GOLD

PACKAGE :PE BAG

LOCK WASHER: SPCC
 PLATED GOLD
 PACKAGE :PE BAG

MCRF CONNECTOR

BODY: PHOSPHOR BRONZE
 PLATED GOLD

INSULATOR: PBT

CONTACT: PHOSPHOR BRONZE
 PLATED GOLD

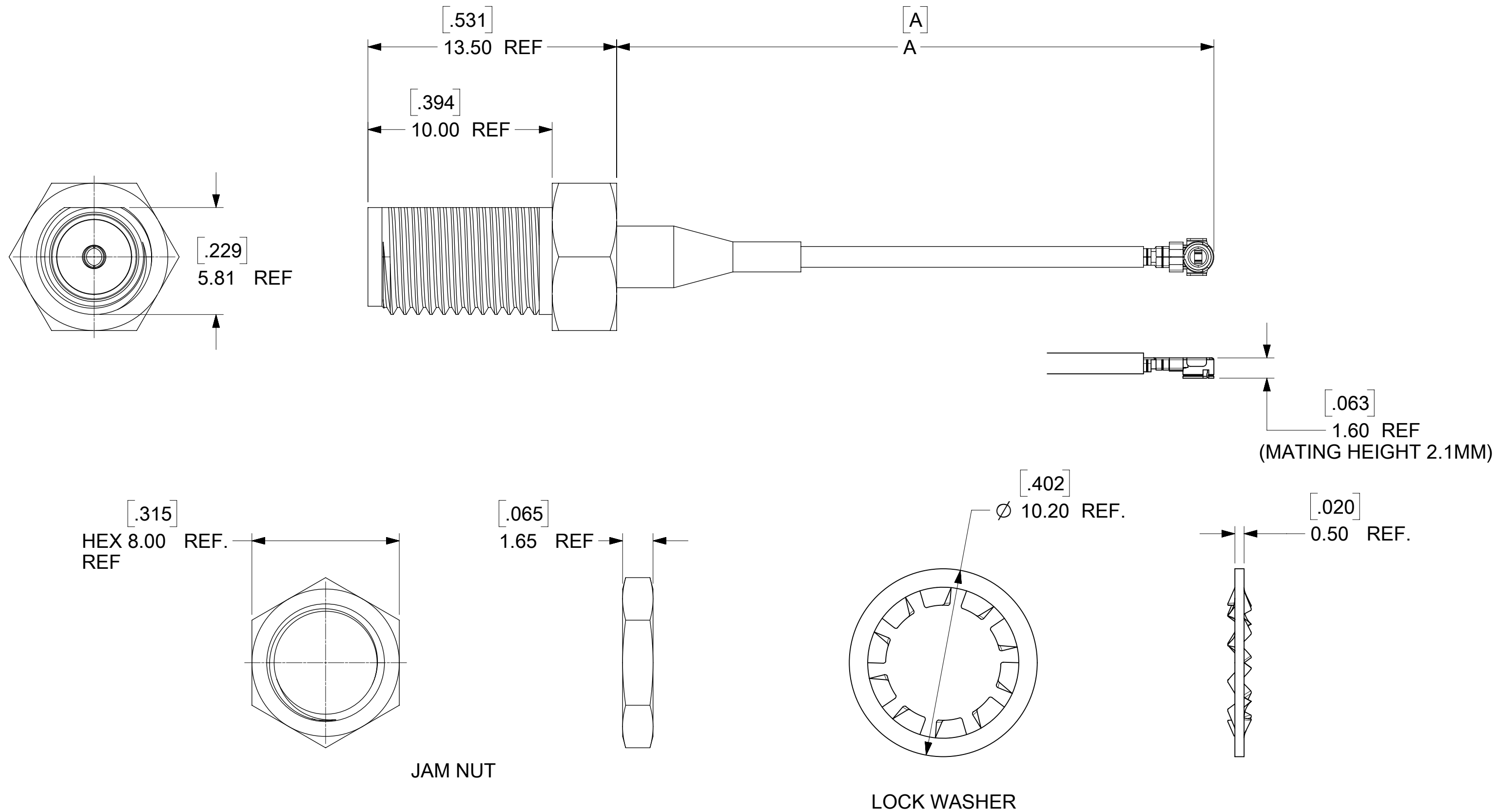
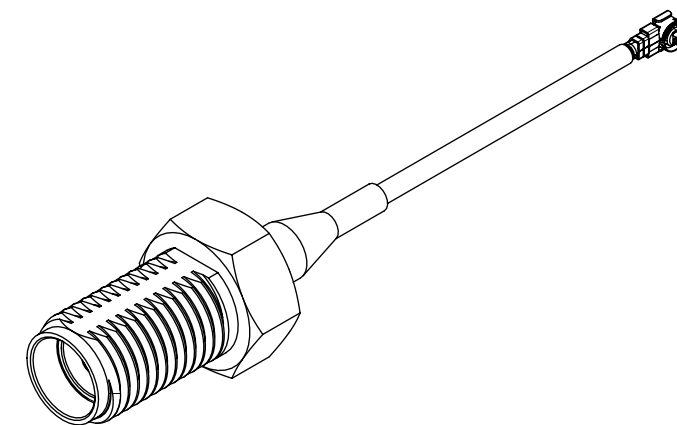
CABLE: DIA 1.13 COLOR GRAY
 OR EQUIVALENT

SHRINK TUBE: VERSAFIT V2
 OR EQUIVALENT

ELECTRICAL SPEC

OPERATION TEMPERATURE : -40°C TO 85°C

PACKAGING BY BAG, REFER TO 895420302



JAM NUT

LOCK WASHER

73230-1301	15.748±.197	400.00±5.00	BAG
73230-1300	14.370±.197	365.00±5.00	BAG
PART NO.	IN	MM	PACKAGING
	DIMENSION A		

OTHER AVAILABLE EXISTING LENGTH SEE 89762-952x SERIES.

MIL-STD-348A, FIG. 310.2	SMA INTERFACE
SPECIFICATION	DESCRIPTION

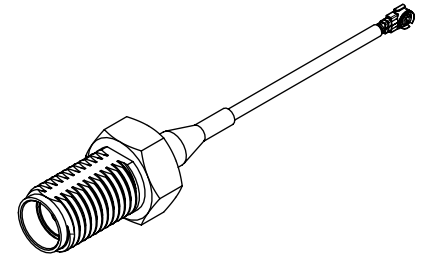
DOCUMENT STATUS	P1	RELEASE DATE	2023/05/15	02:43:40
-----------------	----	--------------	------------	----------

FUNCTIONAL SYMBOLS	THIS DRAWING CONTAINS INFORMATION THAT IS PROPRIETARY TO MOLEX ELECTRONIC TECHNOLOGIES, LLC AND SHOULD NOT BE USED WITHOUT WRITTEN PERMISSION				
	DIMENSION UNITS	SCALE	CURRENT REV DESC: EWR # 15699-A : ADDED -1301 PART NO		
$\frac{F}{A} = 0$	INCH/MM	NTS	EC NO: 749034 DRWN: JSU18 2023/02/21 CHK'D: YCHENG 2023/05/15 APPR: YCHENG 2023/05/15 INITIAL REVISION: DRWN: ELIN 2021/10/14 APPR: YCHENG 2021/11/15		
$\frac{E}{C} = 0$	GENERAL TOLERANCES (UNLESS SPECIFIED)				
$\frac{E}{P} = 0$	ANGULAR TOL	± °			
DIVISIONAL SYMBOLS	4 PLACES	±			
	3 PLACES	±	DOCUMENT NUMBER		
	2 PLACES	±	732301300		
	1 PLACE	±	DOC TYPE	DOC PART	REVISION
	0 PLACES	±	PSD	000	A1
DRAFT WHERE APPLICABLE MUST REMAIN WITHIN DIMENSIONS		THIRD ANGLE PROJECTION	DRAWING	SERIES	SHEET NUMBER
			C-SIZE	73230	1 OF 3
			MATERIAL NUMBER	CUSTOMER	
			SEE TABLE		

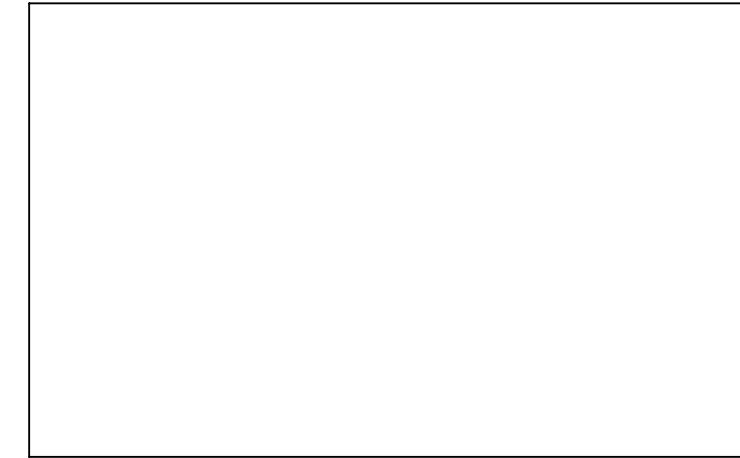
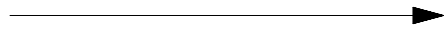
molex

CA SMA JACK STR TO MCRF W/DIA 1.13 CABLE
 CA-SMAJ/MCRF, EWR # 14805

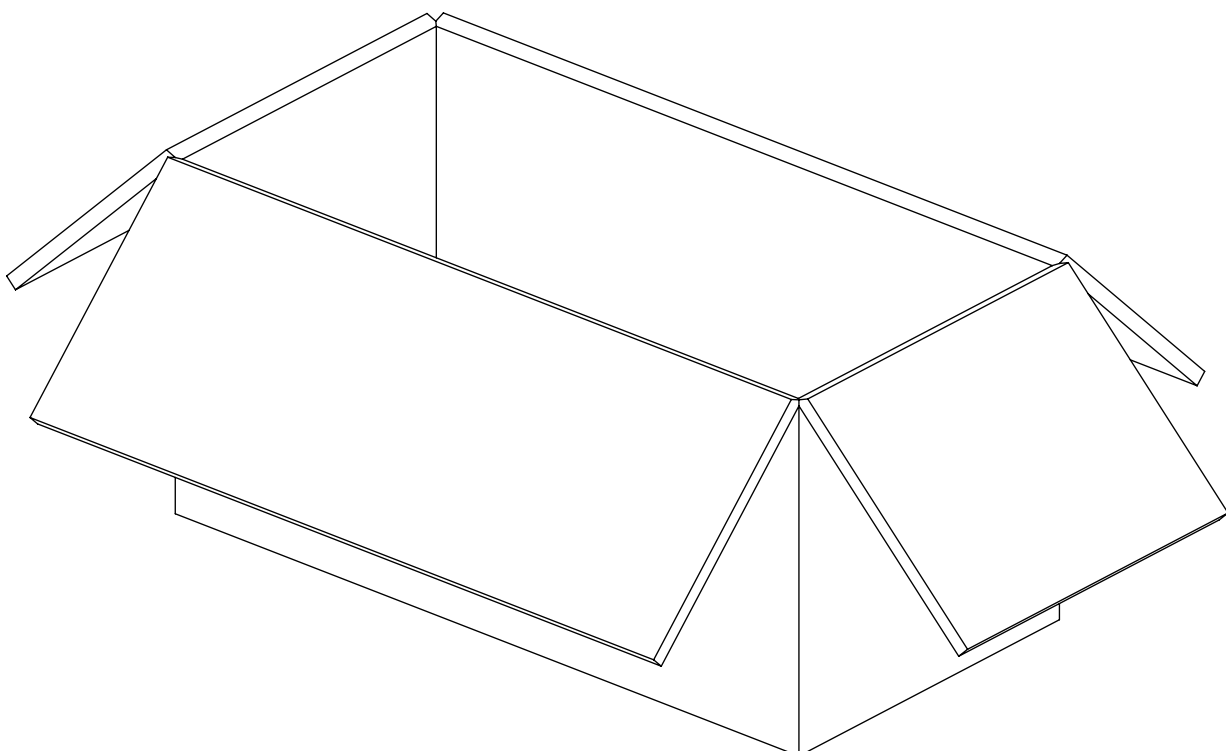
PRODUCT CUSTOMER DRAWING



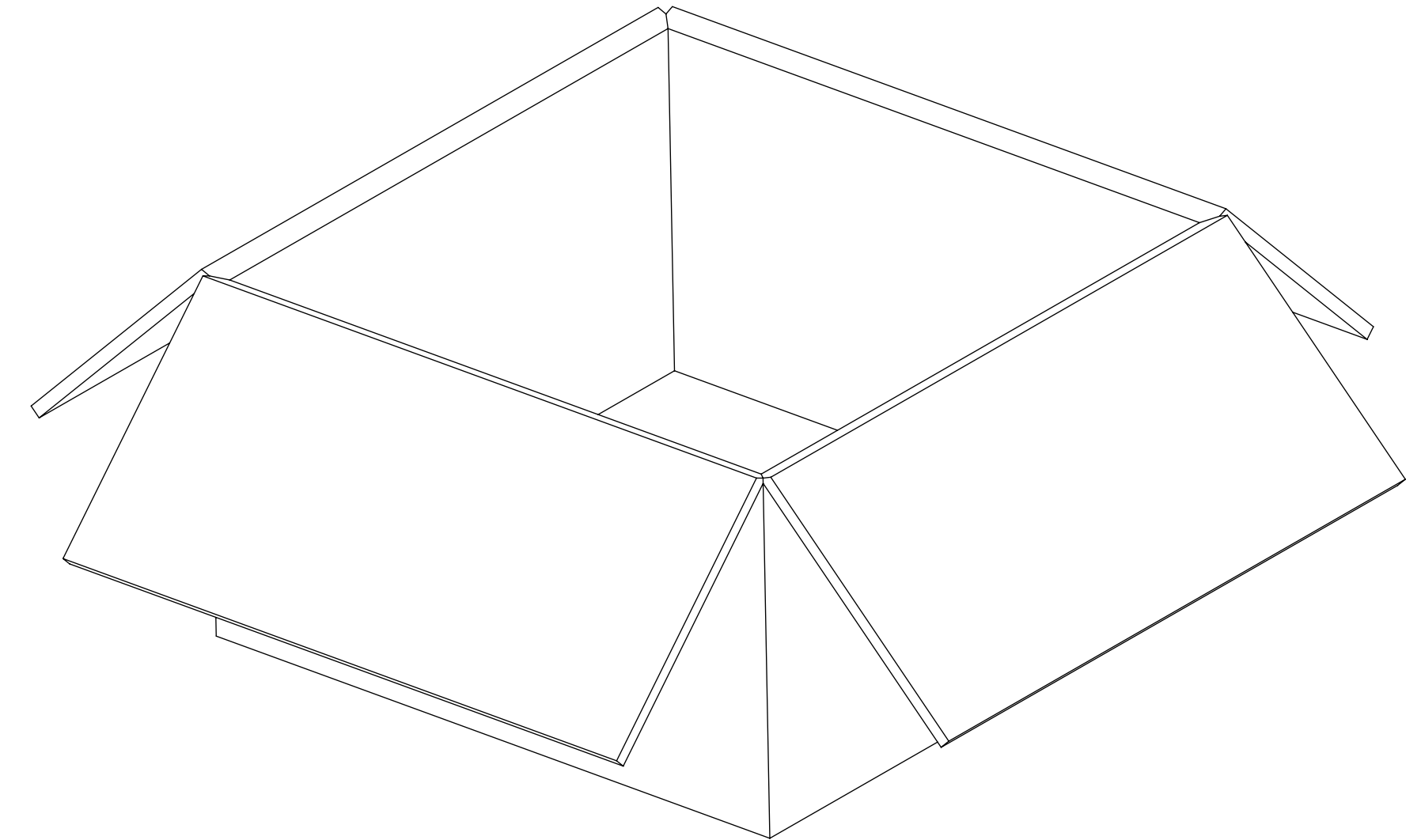
PART NO.: 73230-1300



25 SET PER POLYBAG
P/N: 89707-0174



500 SET PER INNER CARTON BOX
P/N: 96707-0001



1000 SET PER OUTER CARTON BOX
P/N: 96708-0005

FUNCTIONAL SYMBOLS										THIS DRAWING CONTAINS INFORMATION THAT IS PROPRIETARY TO MOLEX ELECTRONIC TECHNOLOGIES, LLC AND SHOULD NOT BE USED WITHOUT WRITTEN PERMISSION																	
DIMENSION UNITS		SCALE		CURRENT REV DESC: EWR # 15699-A : ADDED -1301 PART NO																							
INCH/MM		NTS																									
GENERAL TOLERANCES (UNLESS SPECIFIED)										EC NO: 749034										CA SMA JACK STR TO MCRF W/DIA 1.13 CABLE CA-SMAJ/MCRF, EWR # 14805							
ANGULAR TOL ± °										DRWN: JSU18 2023/02/21																	
4 PLACES ±										CHK'D: YCHENG 2023/05/15										PRODUCT CUSTOMER DRAWING							
3 PLACES ±										APPR: YCHENG 2023/05/15																	
2 PLACES ±										INITIAL REVISION:										DOCUMENT NUMBER		DOC TYPE		DOC PART		REVISION	
1 PLACE ±										DRWN: ELIN 2021/10/14										732301300		PSD		000		A1	
0 PLACES ±										APPR: YCHENG 2021/11/15																	
DRAFT WHERE APPLICABLE MUST REMAIN WITHIN DIMENSIONS										THIRD ANGLE PROJECTION		DRAWING		SERIES		MATERIAL NUMBER		CUSTOMER		SHEET NUMBER							
												C-SIZE		73230						2 OF 3							

DOCUMENT STATUS	P1	RELEASE DATE	2023/05/15	02:43:40
-----------------	----	--------------	------------	----------

MATERIALS AND FINISHES

SMA JACK STR BKHD RM
 BODY: BRASS
 PLATED GOLD

CENTER CONTACT: PHOSPHOR BRONZE
 PLATED GOLD

INSULATOR: PTFE

JAM NUT: BRASS
 PLATED GOLD
 PACKAGE :PE BAG 15*18*0.08

LOCK WASHER: SPCC
 PLATED GOLD
 PACKAGE :PE BAG 15*18*0.08

MCRF CONNECTOR

BODY: PHOSPHOR BRONZE
 PLATED GOLD

INSULATOR: PBT

CONTACT: PHOSPHOR BRONZE
 PLATED GOLD

CABLE: DIA 1.13 COLOR GRAY
 OR EQUIVALENT

SHRINK TUBE: VERSAFIT V2
 OR EQUIVALENT

ELECTRICAL SPEC

FREQUENCY : UP TO 6 GHz

VSWR :

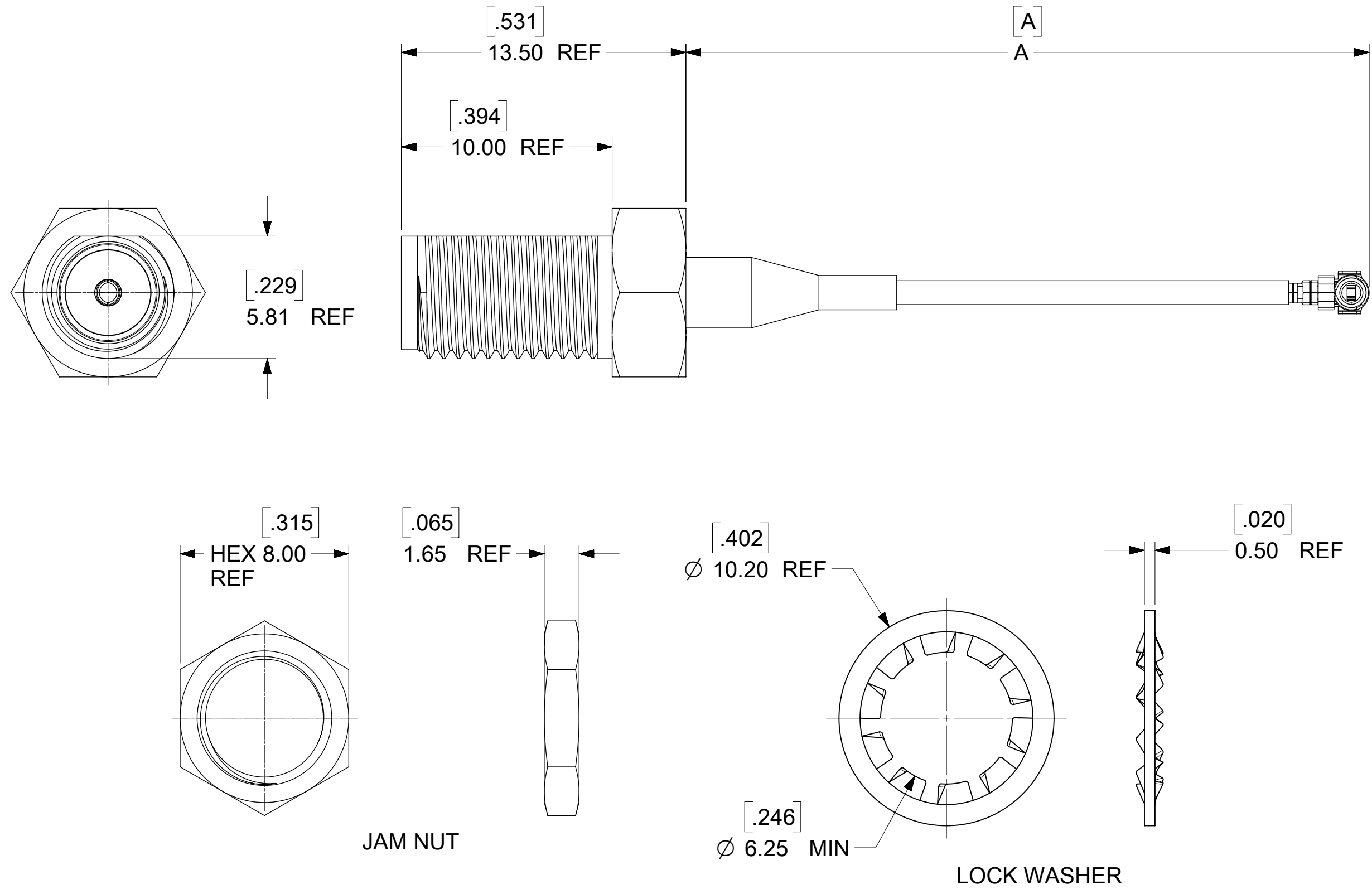
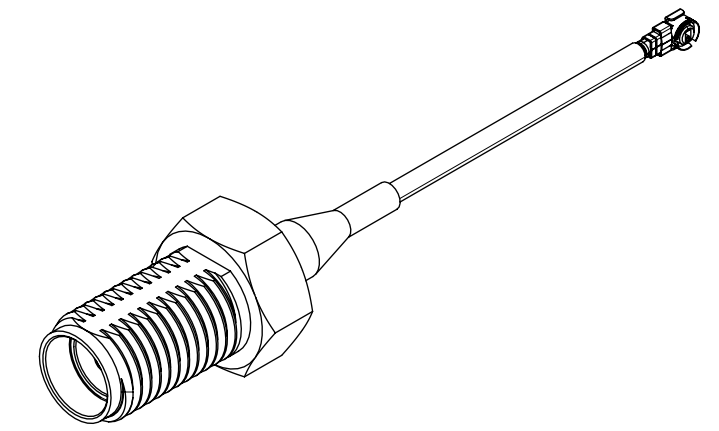
1.5 @ 0-3 GHz

1.8 @ 3-6 GHz

IL : SEE TABLE

OPERATION TEMPERATURE : -40°C~85°C

89762-9528/-9529 PACKAGING BY BAG, REFER TO 895420302



JAM NUT

LOCK WASHER

89762-9529	12.205±.197	310.00±5.00	BAG	3.00 dB
89762-9528	8.268±.197	210.00±5.00	BAG	2.00 dB
89762-9527	7.087±.197	180.00±5.00	BAG	1.80 dB
89762-9526	6.693±.197	170.00±5.00	BAG	1.70 dB
89762-9525	3.000±.197	76.20±5.00	BAG	1.00 dB
89762-9524	5.906±.197	150.00±5.00	BAG	1.50 dB
89762-9523	11.850±.197	300.00±5.00	BAG	3.00 dB
89762-9522	3.937±.197	100.00±5.00	BAG	1.00 dB
89762-9521	7.874±.197	200.00±5.00	BAG	2.00 dB
PART NO.	IN	MM	PACKAGING	IL @ 6GHz (MAX)
	DIMENSION A			

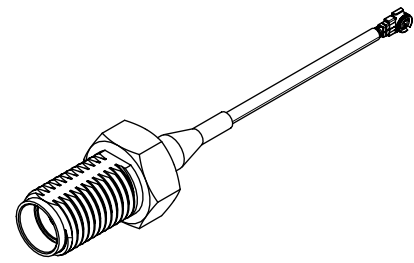
MIL-STD-348A, FIG. 310.2	SMA INTERFACE
SPECIFICATION	DESCRIPTION

FUNCTIONAL SYMBOLS	THIS DRAWING CONTAINS INFORMATION THAT IS PROPRIETARY TO MOLEX ELECTRONIC TECHNOLOGIES, LLC AND SHOULD NOT BE USED WITHOUT WRITTEN PERMISSION						
	DIMENSION UNITS	SCALE	CURRENT REV DESC:				
$\nabla_A = 0$	MM/INCH	NTS	EWR-15424-A ADDED PACKAGE DRAWING				
$\nabla_C = 0$	GENERAL TOLERANCES (UNLESS SPECIFIED)		EC NO: 720581				
$\nabla_P = 0$	ANGULAR TOL ± °		DRWN: JSU18	2022/09/08			
DIVISIONAL SYMBOLS	4 PLACES	±	CHK'D: YCHENG	2022/09/13			
	3 PLACES	±	APPR: YCHENG	2022/09/13			
	2 PLACES	±	INITIAL REVISION:				
	1 PLACE	±	DRWN: RYEH	2016/11/07			
0 PLACES	±	APPR: YCHENG	2016/11/25	DOCUMENT NUMBER			
DRAFT WHERE APPLICABLE MUST REMAIN WITHIN DIMENSIONS		THIRD ANGLE PROJECTION	DRAWING	SERIES	MATERIAL NUMBER	CUSTOMER	SHEET NUMBER
			C-SIZE	89762	SEE TABLE		1 OF 8

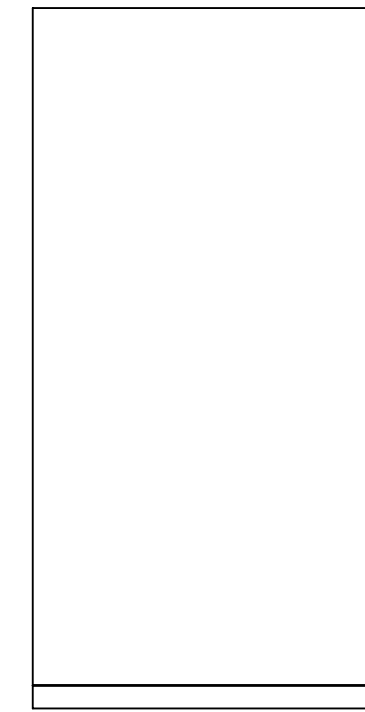
molex

CA SMA JACK STR TO MCRF W/DIA 1.13 CABLE
 CA-SMAJ/MCRF, EWR # 14155

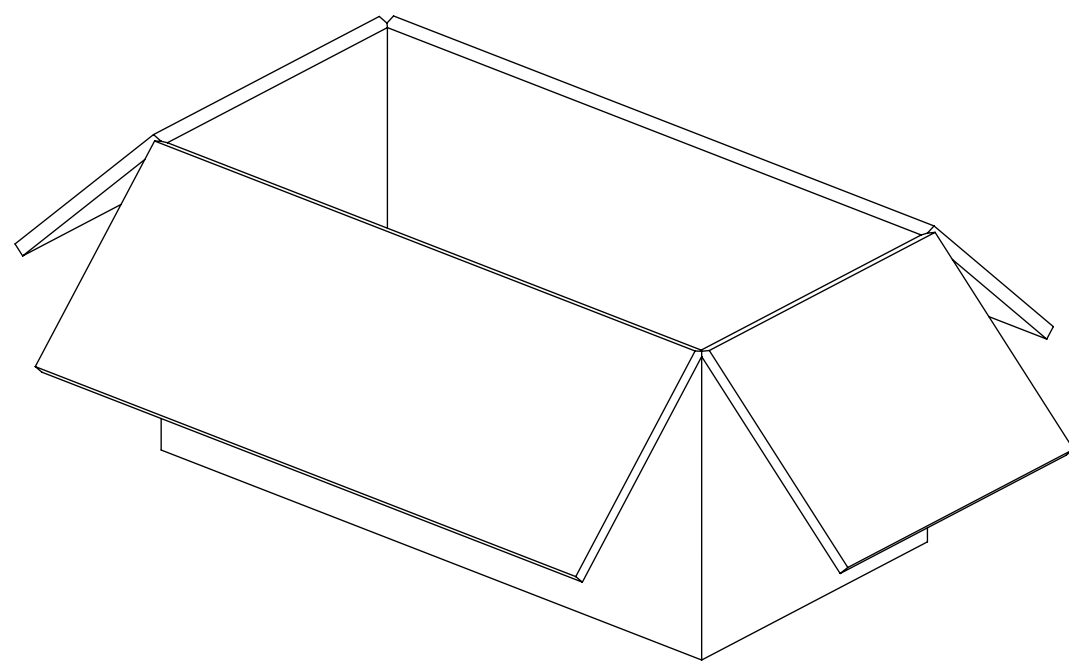
PRODUCT CUSTOMER DRAWING
 DOCUMENT NUMBER: 897629520
 DOC TYPE: PSD
 DOC PART: 000
 REVISION: A5



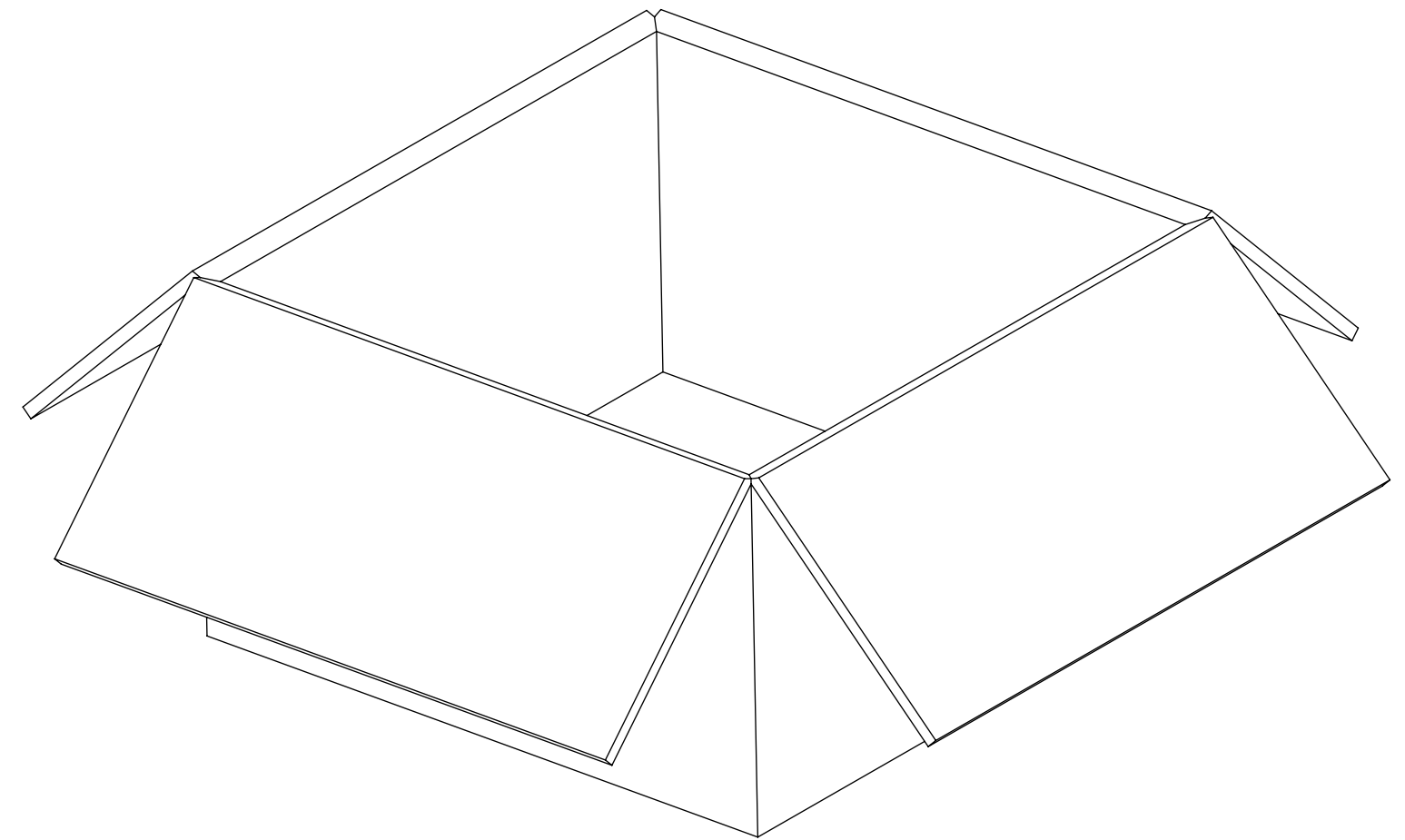
PART NO : 89762-9521
 PART NO : 89762-9526




25 SETS PER BAG
 P/N: 89707-0174

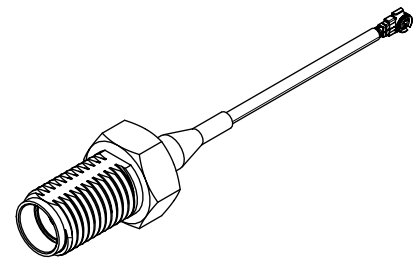


125 SET PER INNER CARTON BOX
 P/N: 96707-0001
 L371mm X W184mm X D192mm

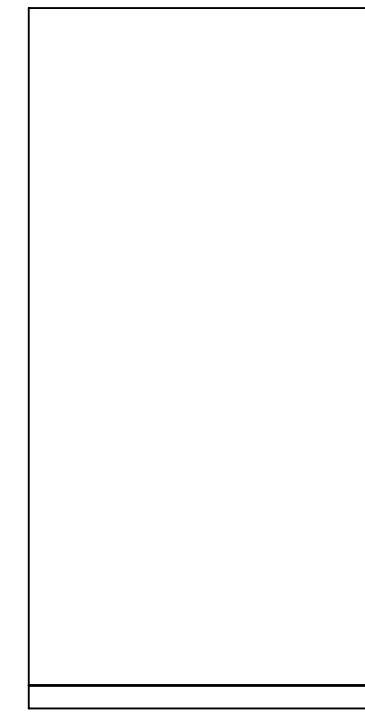
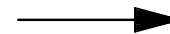


250 SET PER OUTER CARTON BOX
 P/N: 96708-0005
 L394mm X W391mm X D212mm

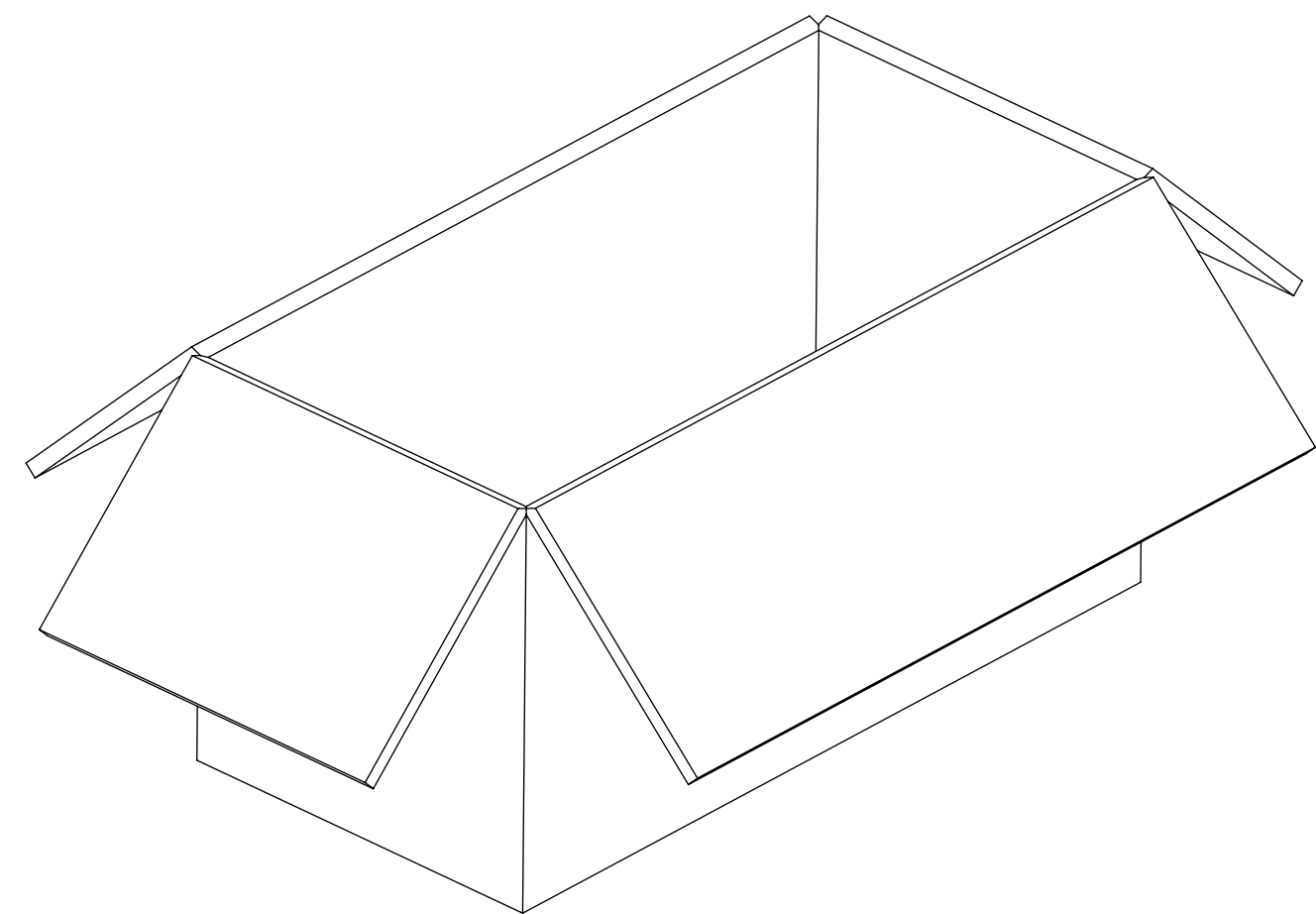
THIS DRAWING CONTAINS INFORMATION THAT IS PROPRIETARY TO MOLEX ELECTRONIC TECHNOLOGIES, LLC AND SHOULD NOT BE USED WITHOUT WRITTEN PERMISSION												
FUNCTIONAL SYMBOLS	FA = 0	DIMENSION UNITS	SCALE	CURRENT REV DESC:			 CA SMA JACK STR TO MCRF W/DIA 1.13 CABLE CA-SMAJ/MCRF, EWR # 14155					
	FC = 0	MM/INCH	NTS	EWR-15424-A ADDED PACKAGE DRAWING								
DIVISIONAL SYMBOLS	FD = 0	GENERAL TOLERANCES (UNLESS SPECIFIED)		EC NO: 720581			PRODUCT CUSTOMER DRAWING					
		ANGULAR TOL	± °	4 PLACES	±		DRWN: JSU18 2022/09/08					
				3 PLACES	±		CHK'D: YCHENG 2022/09/13					
				2 PLACES	±		APPR: YCHENG 2022/09/13					
				1 PLACE	±		INITIAL REVISION:					
				0 PLACES	±		DRWN: RYEH 2016/11/07					
							APPR: YCHENG 2016/11/25					
		DRAFT WHERE APPLICABLE MUST REMAIN WITHIN DIMENSIONS		THIRD ANGLE PROJECTION		DRAWING	SERIES	DOCUMENT NUMBER		DOC TYPE	DOC PART	REVISION
						C-SIZE	89762	897629520		PSD	000	A5
								MATERIAL NUMBER		CUSTOMER		SHEET NUMBER
												2 OF 8




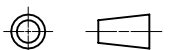
PART NO : 89762-9522



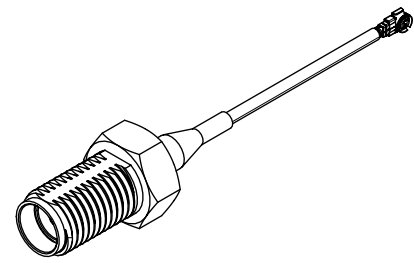
25 SETS PER BAG
P/N: 89707-0174



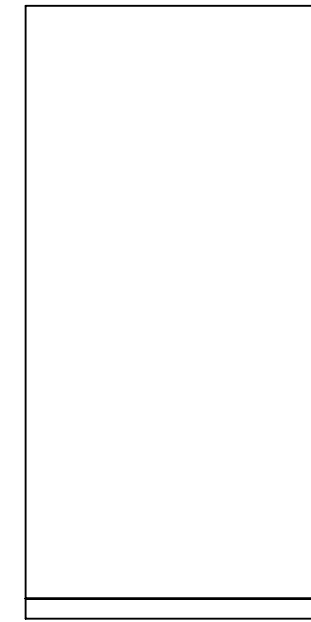
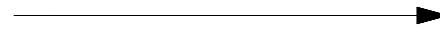
125 SETS PER CARTON BOX
P/N: 96707-0002
DIMENSION: 564X176X176MM

FUNCTIONAL SYMBOLS	THIS DRAWING CONTAINS INFORMATION THAT IS PROPRIETARY TO MOLEX ELECTRONIC TECHNOLOGIES, LLC AND SHOULD NOT BE USED WITHOUT WRITTEN PERMISSION										
DIMENSION UNITS	SCALE	CURRENT REV DESC:								 CA SMA JACK STR TO MCRF W/DIA 1.13 CABLE CA-SMAJ/MCRF, EWR # 14155	
MM/INCH	NTS	EWR-15424-A ADDED PACKAGE DRAWING									
GENERAL TOLERANCES (UNLESS SPECIFIED)	ANGULAR TOL	±	°	EC NO: 720581				2022/09/08			
4 PLACES	±			DRWN: JSU18				2022/09/13			
3 PLACES	±			CHK'D: YCHENG				2022/09/13			
2 PLACES	±			APPR: YCHENG				2022/09/13			
1 PLACE	±			INITIAL REVISION:							
0 PLACES	±			DRWN: RYEH				2016/11/07			
DRAFT WHERE APPLICABLE MUST REMAIN WITHIN DIMENSIONS	THIRD ANGLE PROJECTION	DRAWING	SERIES	DOCUMENT NUMBER		DOC TYPE	DOC PART	REVISION			
		C-SIZE	89762	897629520		PSD	000	A5		3 OF 8	

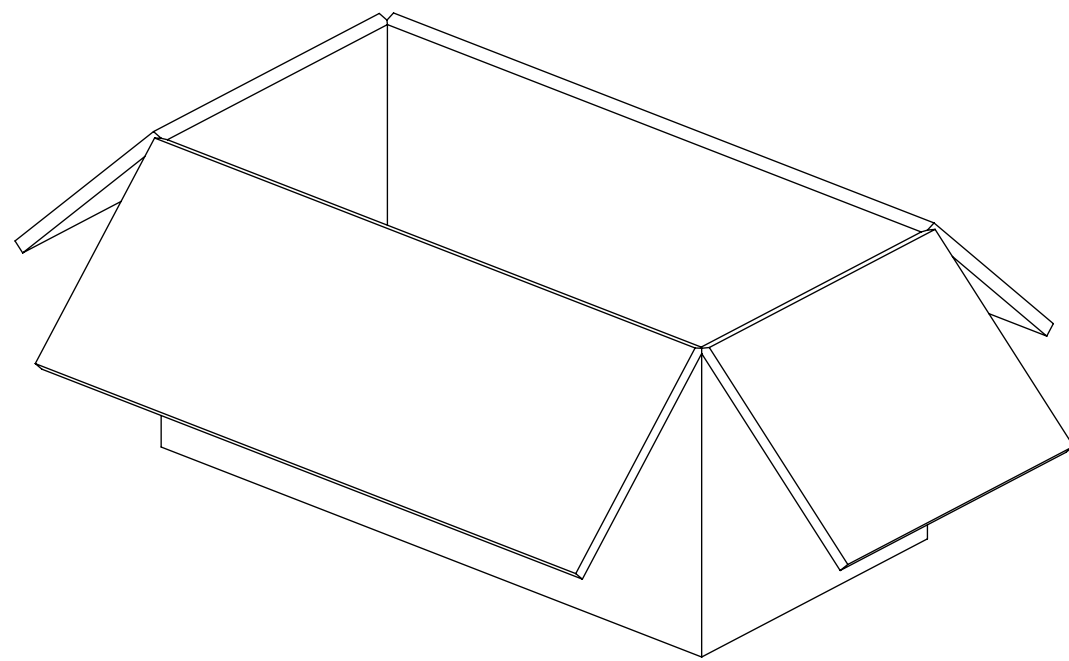
DOCUMENT STATUS	P1	RELEASE DATE	2022/09/13	10:27:59
-----------------	----	--------------	------------	----------



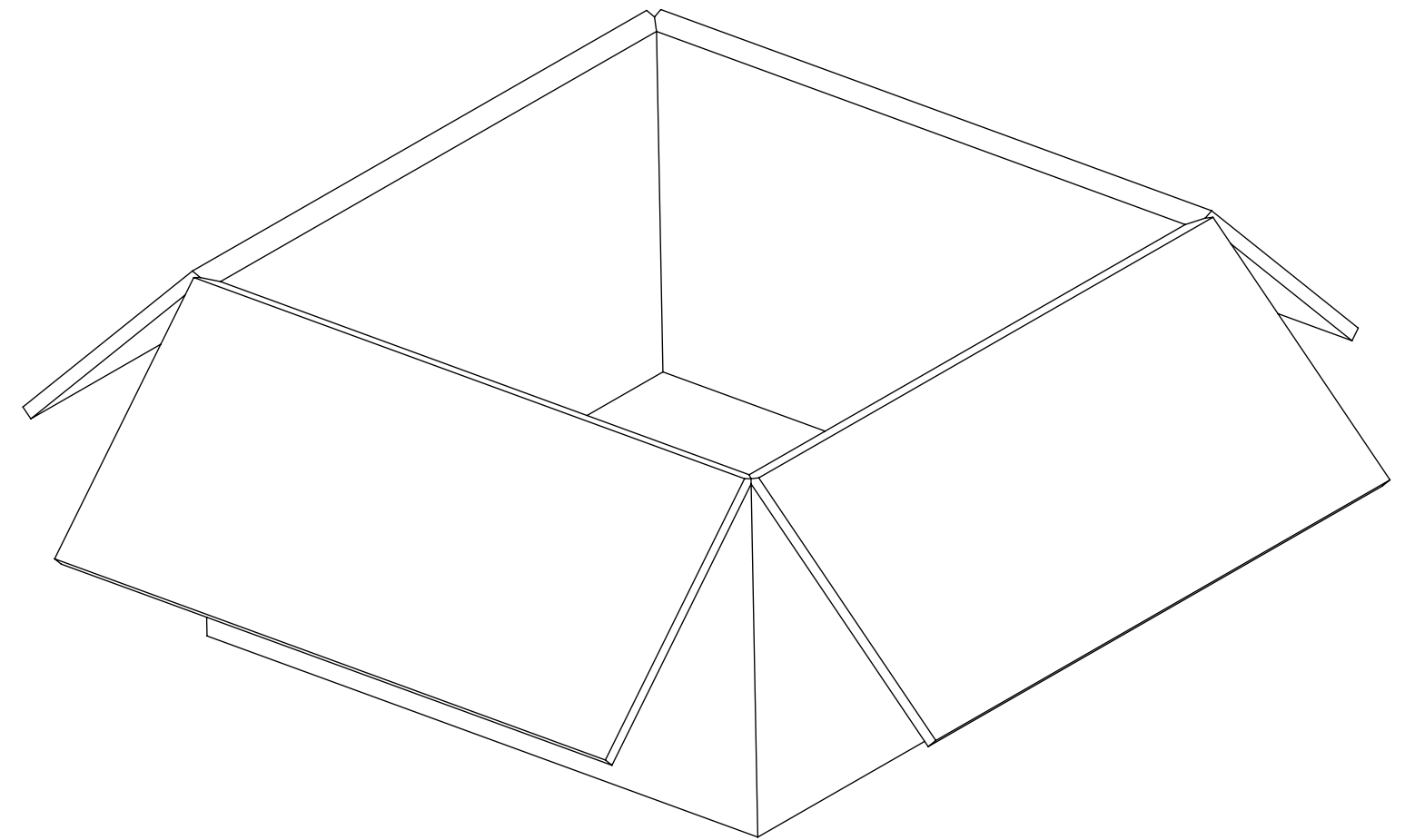
PART NO : 89762-9523



25 SETS PER BAG
P/N: 89707-0176



200 SET PER INNER CARTON BOX
P/N: 96707-0001
L371mm X W184mm X D192mm



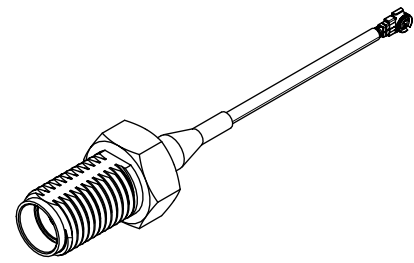
400 SET PER OUTER CARTON BOX
P/N: 96708-0005
L394mm X W391mm X D212mm

THIS DRAWING CONTAINS INFORMATION THAT IS PROPRIETARY TO MOLEX ELECTRONIC TECHNOLOGIES, LLC AND SHOULD NOT BE USED WITHOUT WRITTEN PERMISSION									
FUNCTIONAL SYMBOLS	DIMENSION UNITS	SCALE	CURRENT REV DESC:						
	$\frac{F}{A} = 0$	MM/INCH	NTS	EWR-15424-A ADDED PACKAGE DRAWING					
DIVISIONAL SYMBOLS	GENERAL TOLERANCES (UNLESS SPECIFIED)								
	$\frac{E}{C} = 0$	ANGULAR TOL ± °							
DIVISIONAL SYMBOLS	4 PLACES ±		EC NO: 720581						
	3 PLACES ±		DRWN: JSU18		2022/09/08				
	2 PLACES ±		CHK'D: YCHENG		2022/09/13				
	1 PLACE ±		APPR: YCHENG		2022/09/13				
0 PLACES ±		INITIAL REVISION:							
DRAFT WHERE APPLICABLE MUST REMAIN WITHIN DIMENSIONS		THIRD ANGLE PROJECTION		DRAWING		SERIES		DOCUMENT NUMBER	
				C-SIZE		89762		897629520	
								DOC TYPE	
								PSD	
								DOC PART	
								000	
								REVISION	
								A5	
								MATERIAL NUMBER	
								CUSTOMER	
								SHEET NUMBER	
								4 OF 8	

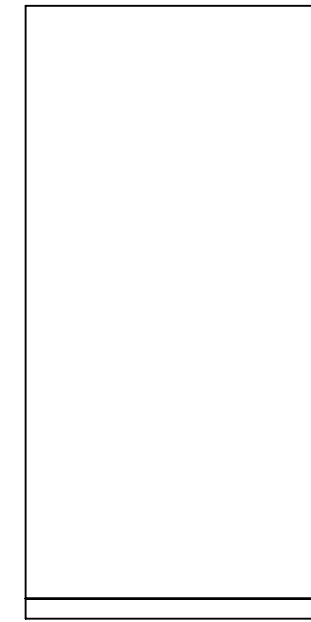
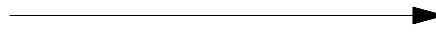
molex

CA SMA JACK STR TO MCRF W/DIA 1.13 CABLE
CA-SMAJ/MCRF, EWR # 14155

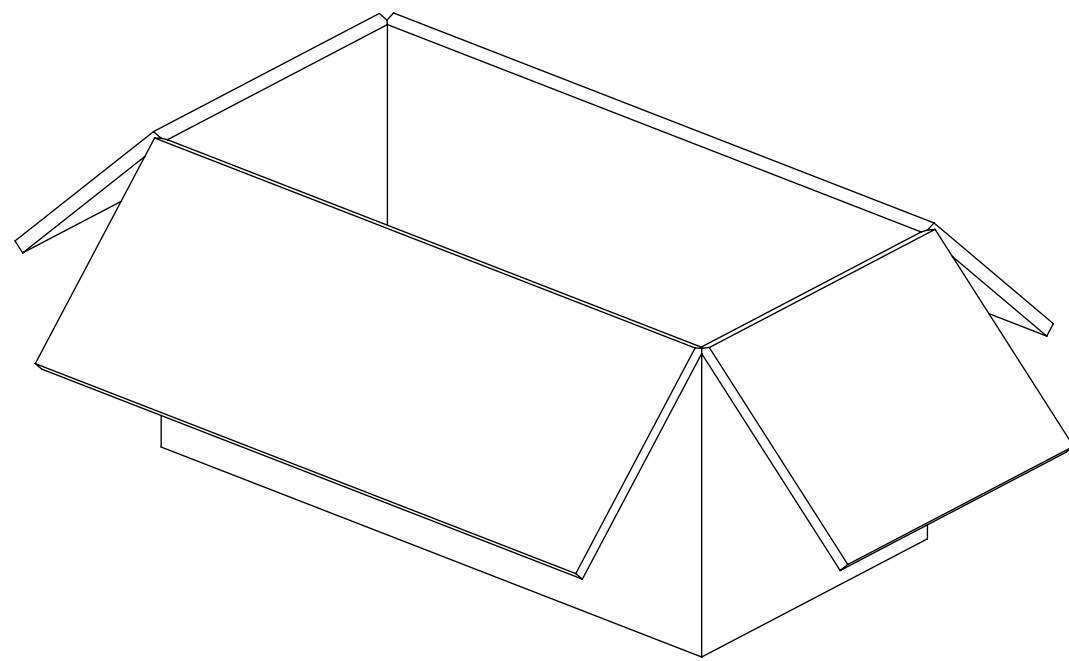
PRODUCT CUSTOMER DRAWING



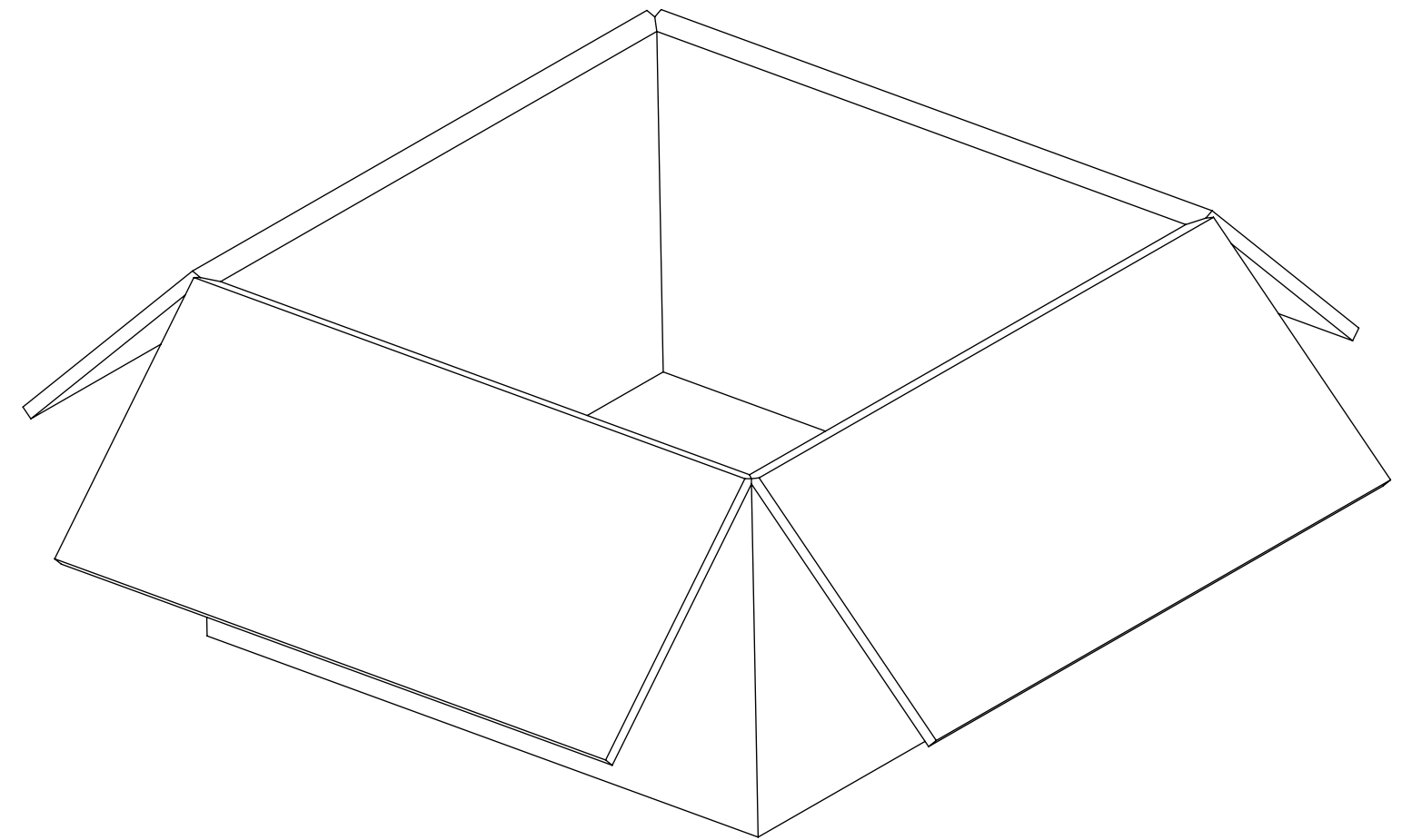
PART NO : 89762-9524



25 SETS PER BAG
P/N: 89707-0176



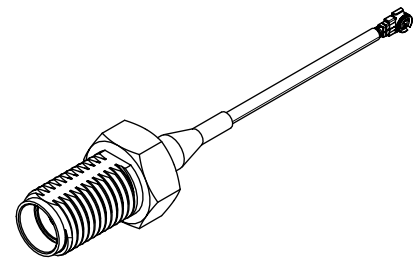
500 SET PER INNER CARTON BOX
P/N: 96707-0001
L371mm X W184mm X D192mm



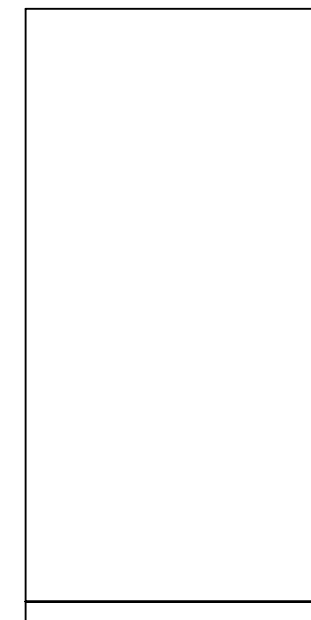
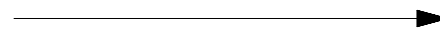
1000 SET PER OUTER CARTON BOX
P/N: 96708-0005
L394mm X W391mm X D212mm

THIS DRAWING CONTAINS INFORMATION THAT IS PROPRIETARY TO MOLEX ELECTRONIC TECHNOLOGIES, LLC AND SHOULD NOT BE USED WITHOUT WRITTEN PERMISSION									
FUNCTIONAL SYMBOLS	DIMENSION UNITS	SCALE	CURRENT REV DESC:				molex		
$\frac{F}{A} = 0$	MM/INCH	NTS	EWR-15424-A ADDED PACKAGE DRAWING						
$\frac{E}{C} = 0$	GENERAL TOLERANCES (UNLESS SPECIFIED)		EC NO: 720581				CA SMA JACK STR TO MCRF W/DIA 1.13 CABLE CA-SMAJ/MCRF, EWR # 14155		
$\frac{E}{P} = 0$	ANGULAR TOL ± °		DRWN: JSU18 2022/09/08				PRODUCT CUSTOMER DRAWING		
DIVISIONAL SYMBOLS	4 PLACES ±		CHK'D: YCHENG 2022/09/13				DOCUMENT NUMBER		
	3 PLACES ±		APPR: YCHENG 2022/09/13				DOC TYPE		
	2 PLACES ±		INITIAL REVISION:				DOC PART		
	1 PLACE ±		DRWN: RYEH 2016/11/07				REVISION		
0 PLACES ±		APPR: YCHENG 2016/11/25				897629520			
DRAFT WHERE APPLICABLE MUST REMAIN WITHIN DIMENSIONS		THIRD ANGLE PROJECTION		DRAWING	SERIES	MATERIAL NUMBER		CUSTOMER	SHEET NUMBER
				C-SIZE	89762				5 OF 8

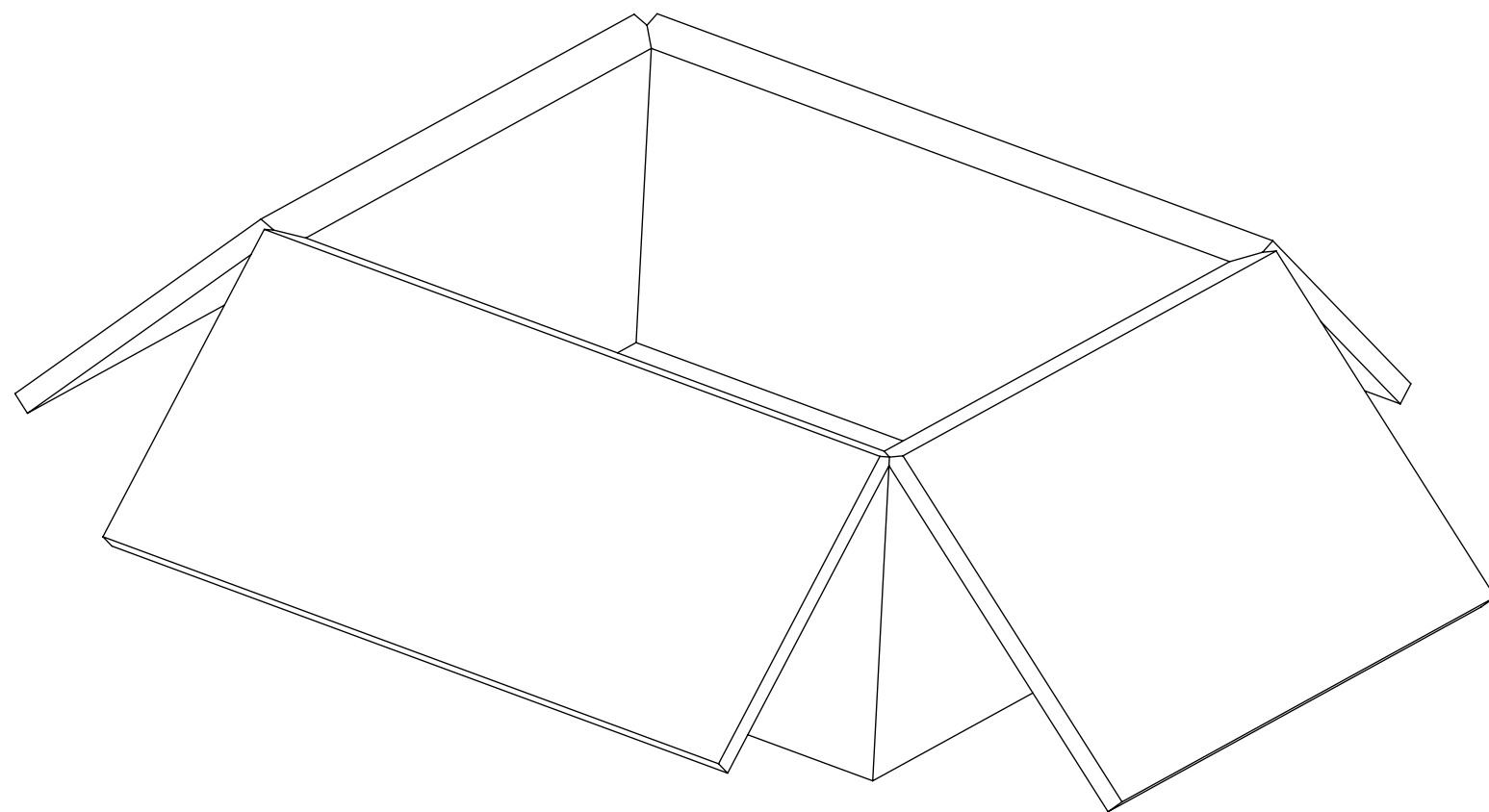
DOCUMENT STATUS	P1	RELEASE DATE	2022/09/13	10:27:59
-----------------	----	--------------	------------	----------



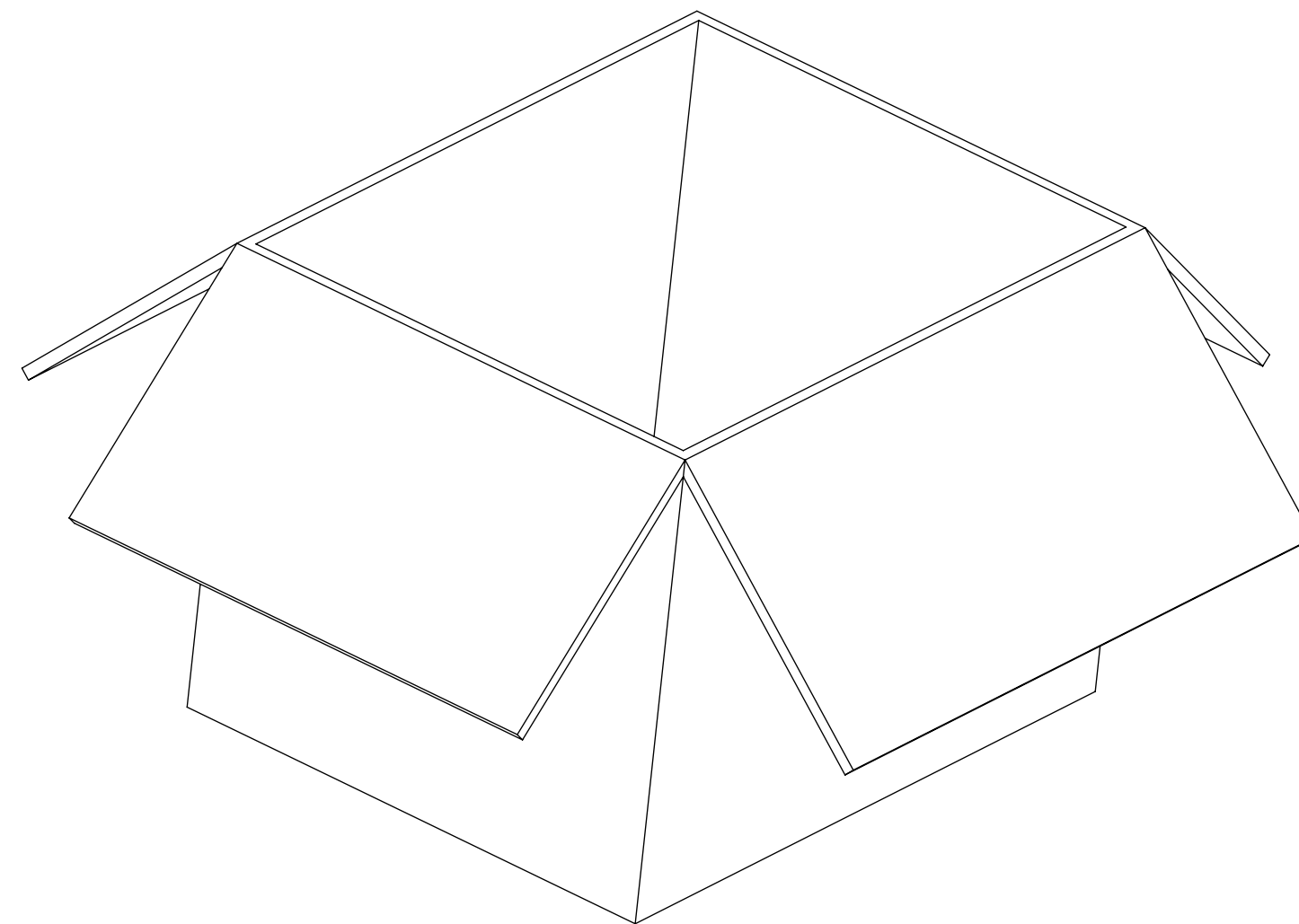
PART NO : 89762-9525



25 SETS PER BAG
P/N: 89707-0176



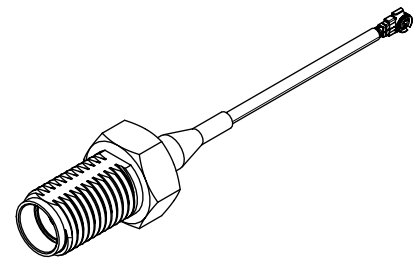
125 SET PER INNER CARTON BOX
P/N: 89499-9026
L250mm X W200mm X D109mm



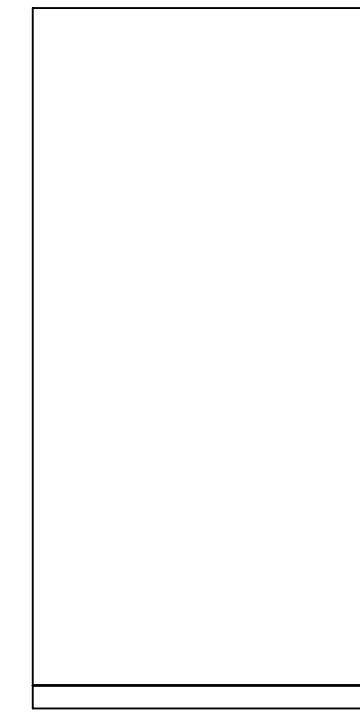
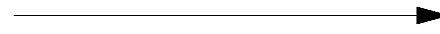
250 SET PER OUTER CARTON BOX
P/N: 89499-9027
L267mm X W215mm X D260mm

FUNCTIONAL SYMBOLS	THIS DRAWING CONTAINS INFORMATION THAT IS PROPRIETARY TO MOLEX ELECTRONIC TECHNOLOGIES, LLC AND SHOULD NOT BE USED WITHOUT WRITTEN PERMISSION											
	DIMENSION UNITS	SCALE	CURRENT REV DESC:							molex		
$\frac{F}{A} = 0$	MM/INCH	NTS	EWR-15424-A ADDED PACKAGE DRAWING									CA SMA JACK STR TO MCRF W/DIA 1.13 CABLE CA-SMAJ/MCRF, EWR # 14155
$\frac{E}{C} = 0$	GENERAL TOLERANCES (UNLESS SPECIFIED)		EC NO: 720581							PRODUCT CUSTOMER DRAWING		
$\frac{E}{P} = 0$	ANGULAR TOL ± °		4 PLACES ±				DRWN: JSU18 2022/09/08			DOCUMENT NUMBER		
DIVISIONAL SYMBOLS	3 PLACES ±		CHK'D: YCHENG 2022/09/13				2016/11/07		DOC TYPE		DOC PART	REVISION
	2 PLACES ±		APPR: YCHENG 2022/09/13				2016/11/25		PSD		000	A5
	1 PLACE ±		INITIAL REVISION:				DRWN: RYEH		897629520		1	
	0 PLACES ±		APPR: YCHENG				2016/11/25		MATERIAL NUMBER		CUSTOMER	
DRAFT WHERE APPLICABLE MUST REMAIN WITHIN DIMENSIONS			THIRD ANGLE PROJECTION		DRAWING		SERIES		SHEET NUMBER			
					C-SIZE		89762		6 OF 8			

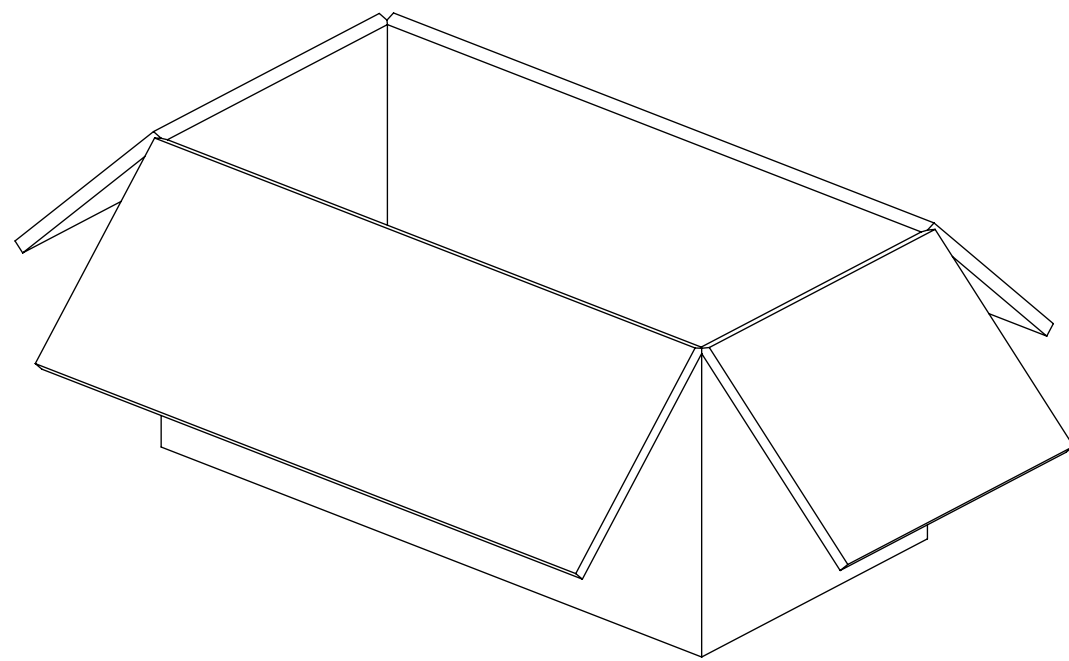
DOCUMENT STATUS	P1	RELEASE DATE	2022/09/13	10:27:59
-----------------	----	--------------	------------	----------



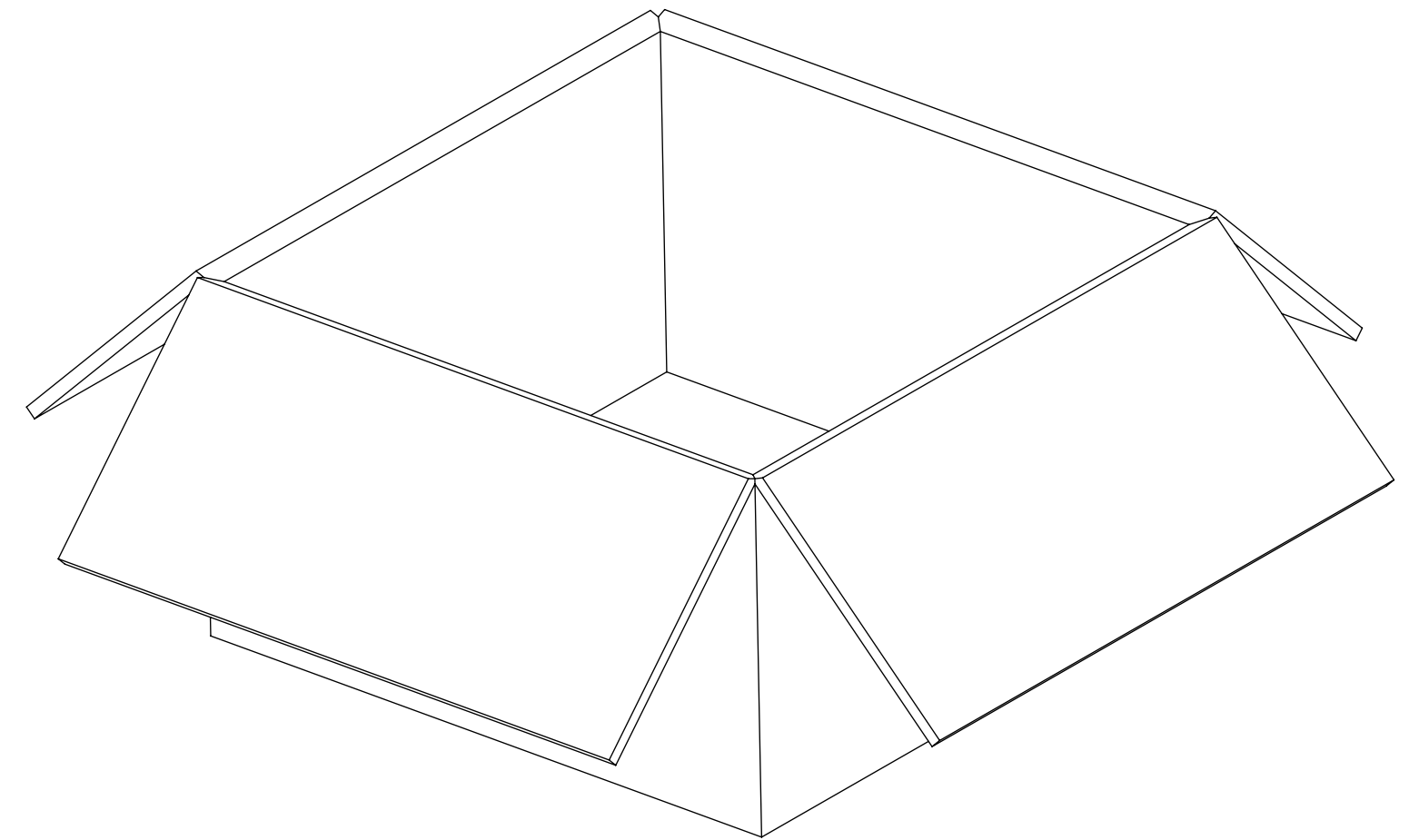
PART NO : 89762-9527



25 SETS PER BAG
P/N: 89707-0174



250 SET PER INNER CARTON BOX
P/N: 96707-0001
L371mm X W184mm X D192mm



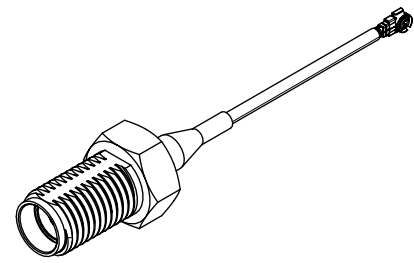
500 SET PER OUTER CARTON BOX
P/N: 96708-0005
L394mm X W391mm X D212mm

THIS DRAWING CONTAINS INFORMATION THAT IS PROPRIETARY TO MOLEX ELECTRONIC TECHNOLOGIES, LLC AND SHOULD NOT BE USED WITHOUT WRITTEN PERMISSION									
FUNCTIONAL SYMBOLS	DIMENSION UNITS	SCALE	CURRENT REV DESC:						
	$\frac{F}{A} = 0$	MM/INCH	NTS	EWR-15424-A ADDED PACKAGE DRAWING					
DIVISIONAL SYMBOLS	GENERAL TOLERANCES (UNLESS SPECIFIED)								
	$\frac{E}{C} = 0$	ANGULAR TOL ± °							
DIVISIONAL SYMBOLS	4 PLACES ±		EC NO: 720581						
	3 PLACES ±		DRWN: JSU18		2022/09/08				
	2 PLACES ±		CHK'D: YCHENG		2022/09/13				
	1 PLACE ±		APPR: YCHENG		2022/09/13				
0 PLACES ±		INITIAL REVISION:							
DRAFT WHERE APPLICABLE MUST REMAIN WITHIN DIMENSIONS		THIRD ANGLE PROJECTION		DRAWING		SERIES		DOCUMENT NUMBER	
				C-SIZE		89762		897629520	
								DOC TYPE	
								PSD	
								DOC PART	
								000	
								REVISION	
								A5	
								MATERIAL NUMBER	
								CUSTOMER	
								SHEET NUMBER	
								7 OF 8	

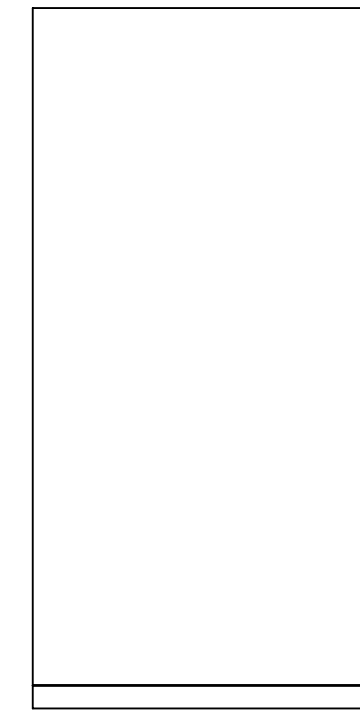
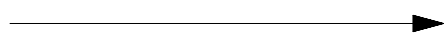
molex

CA SMA JACK STR TO MCRF W/DIA 1.13 CABLE
CA-SMAJ/MCRF, EWR # 14155

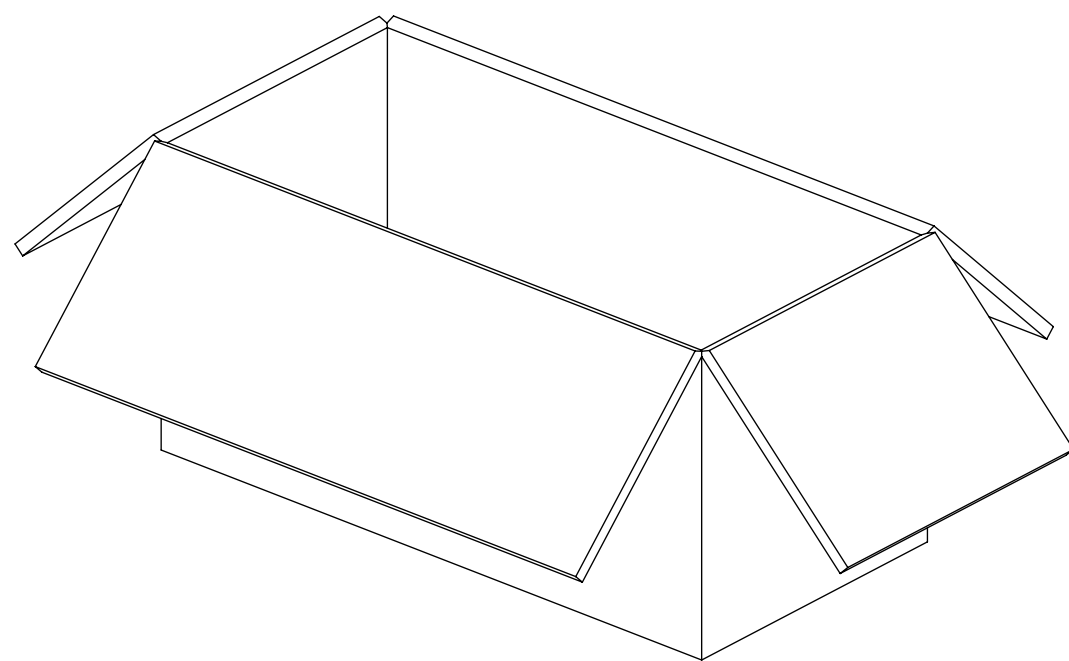
PRODUCT CUSTOMER DRAWING



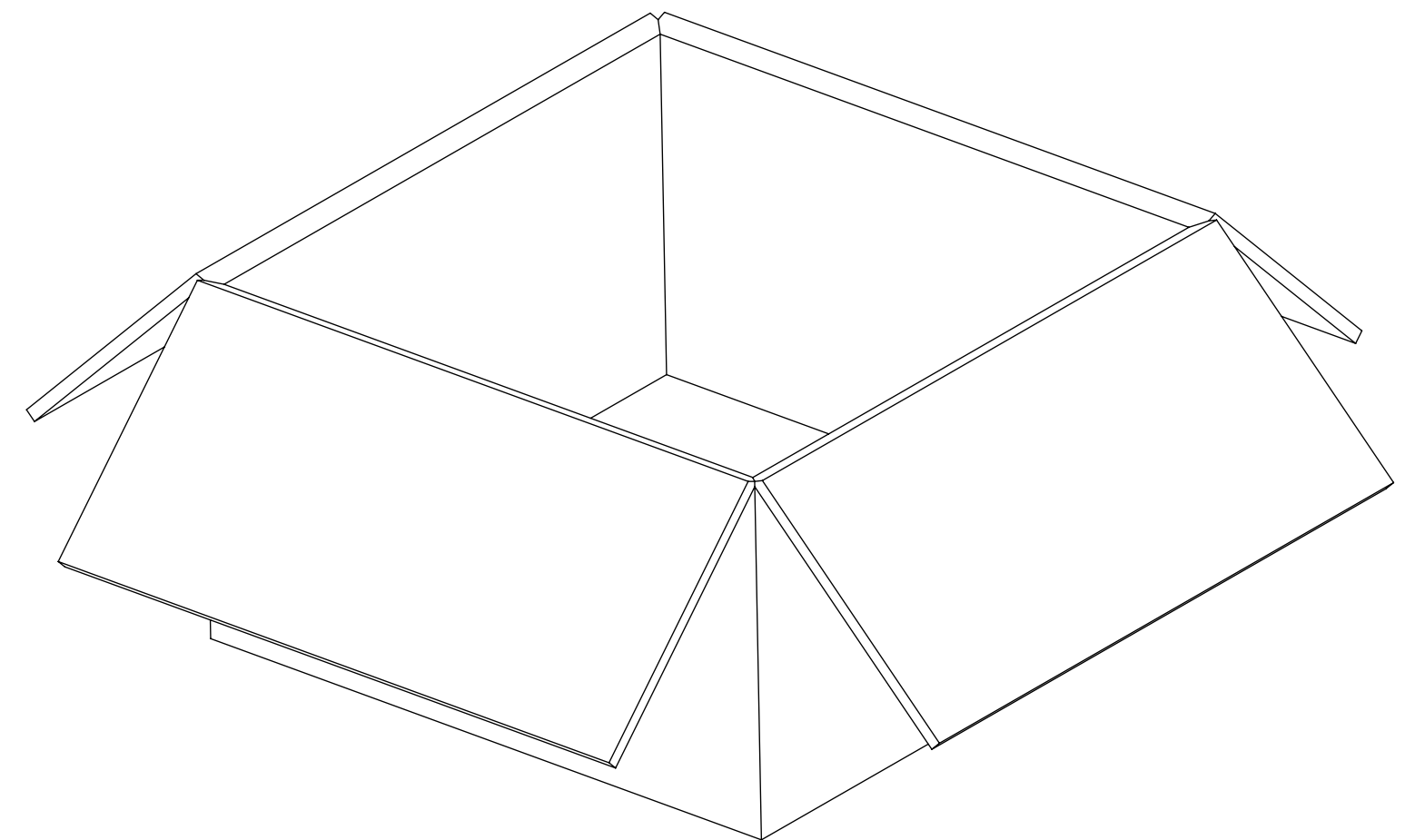
PART NO : 89762-9528
 PART NO : 89762-9529



25 SETS PER BAG
 P/N: 89707-0174



500 SET PER INNER CARTON BOX
 P/N: 96707-0001
 L371mm X W184mm X D192mm



1000 SET PER OUTER CARTON BOX
 P/N: 96708-0005
 L394mm X W391mm X D212mm

FUNCTIONAL SYMBOLS	THIS DRAWING CONTAINS INFORMATION THAT IS PROPRIETARY TO MOLEX ELECTRONIC TECHNOLOGIES, LLC AND SHOULD NOT BE USED WITHOUT WRITTEN PERMISSION												
	DIMENSION UNITS	SCALE	CURRENT REV DESC:							molex			
$\frac{F}{A} = 0$	MM/INCH	NTS	EWR-15424-A ADDED PACKAGE DRAWING									CA SMA JACK STR TO MCRF W/DIA 1.13 CABLE CA-SMAJ/MCRF, EWR # 14155	
GENERAL TOLERANCES (UNLESS SPECIFIED)	ANGULAR TOL ± °												
	$\frac{E}{C} = 0$	4 PLACES ±									EC NO: 720581		
DIVISIONAL SYMBOLS	3 PLACES ±										DRWN: JSU18 2022/09/08		
	$\frac{E}{P} = 0$	2 PLACES ±									CHK'D: YCHENG 2022/09/13		
1 PLACE ±										APPR: YCHENG 2022/09/13			
0 PLACES ±										INITIAL REVISION:			
DRAFT WHERE APPLICABLE MUST REMAIN WITHIN DIMENSIONS										DRWN: RYEH 2016/11/07			
THIRD ANGLE PROJECTION										APPR: YCHENG 2016/11/25			
DRAWING SERIES										DOCUMENT NUMBER	DOC TYPE	DOC PART	REVISION
C-SIZE 89762										897629520	PSD	000	A5
SHEET NUMBER										8 OF 8			

DOCUMENT STATUS	P1	RELEASE DATE	2022/09/13	10:27:59
-----------------	----	--------------	------------	----------