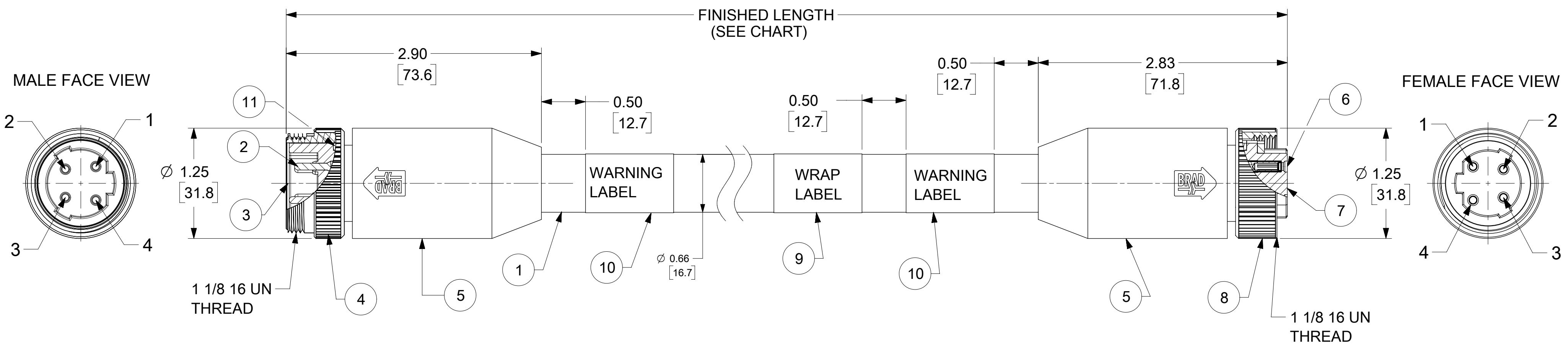
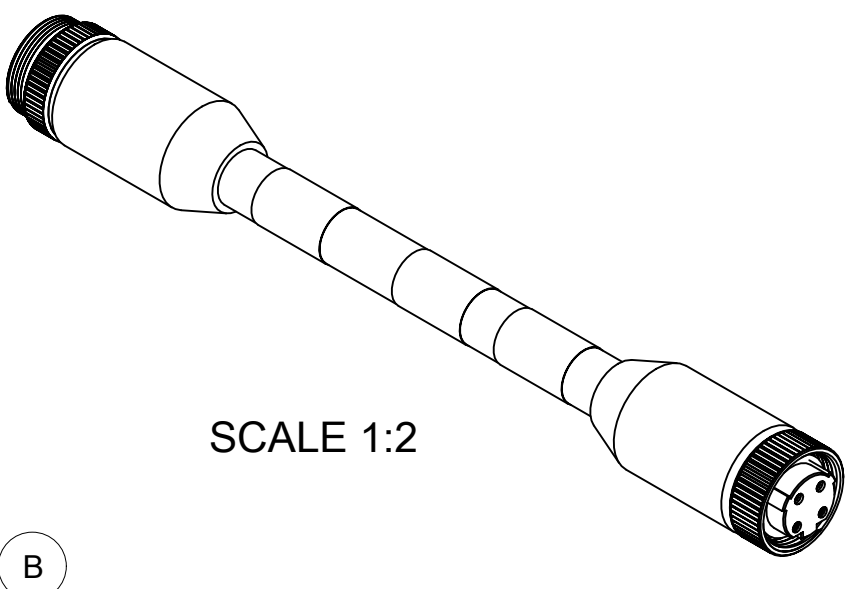


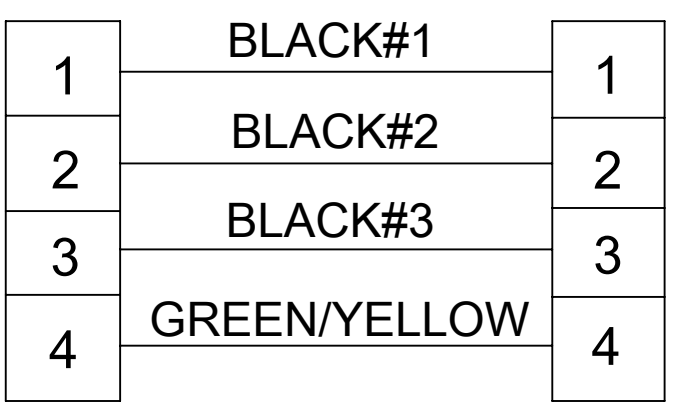
PART NO.	ENGINEERING NO.	FINISHED LENGTH	CABLE CODE	CABLE COLOR	CABLE TYPE
1300620301	334T30K09M010A3	3 FT. 3 IN. (1M)	09	YELLOW	STATIC
1300620306	334T30K09M100A3	10 FT. 9 IN. (10M)	09	YELLOW	STATIC
1300622004	334T30K09M240A3	78 FT. 8 IN. (24M)	09	YELLOW	STATIC
1300620322	334T30K36M020A3	6 FT. 7 IN. (2M)	36	BLACK	FLEX
1300620300	334T30K26M005A3	1 FT 7.7 IN (.5M)	26	BLACK	STATIC

TOLERANCE CHART					
FINISH LENGTH [FT]		TOLERANCE [IN]	FINISH LENGTH [M]		TOLERANCE [mm]
OVER	UNDER		OVER	UNDER	
0.00	.167	N/A	0.0	0.05	NA
.167	.500	+ .63 -0	0.05	0.15	+16 -0
.500	1.00	+ .75 -0	0.15	0.3	+19 -0
1.00	3.00	+1.75 -0	0.3	0.9	+44.5 -0
3.00	6.00	+2.19 -0	0.9	1.8	+55.6 -0
6.00	12.00	+3.50 -0	1.8	3.7	+88.8 -0
12.00	24.00	+6.50 -0	3.7	7.3	+165.1 -0
24.00	48.00	+12.50 -0	7.3	21.9	+317.5 -0
48.00	96.00	+24.50 -0	21.9	29.3	+622.3 -0
96.00	~	+2.00% -0	29.3	~	+2% OF FIN LGTH



- NOTE:**
- 1) MATERIAL: SEE TABLE
 - 2) FINISHES: SEE TABLE
 - 3) ELECTRICAL DATA
MAX. VOLTAGE: IEC60664 500V
UL2237 600V
MAX. CURRENT: 25A
 - 4) ENVIRONMENTAL
PROTECTION: IP67 (WHEN MATED)
TEMPERATURE RATING: -40C TO +90C
 - 5) ASSEMBLY IS RoHS COMPLIANT
 - 6) UL LISTED FILE, CABLE TYPE K09: 258922
CABLE TYPE K36: PENDING
 - 7) DIMENSIONS ARE REFERENCE ONLY UNLESS OTHERWISE SPECIFIED

WIRING DIAGRAM



PART NUMBER MATRIX
334T30K09M010A3

CABLE TYPE

FINISH LENGTH
M001 = 0.1 METER
M010 = 1 METER
M100 = 10 METER

ITEM	DESCRIPTION	MATERIAL	FINISH
11	GASKET SEAL	SILICONE	LIGHT GRAY
10	WARNING LABEL	VINYL	MULTI COLOR
9	WRAP LABEL	VINYL	YELLOW
8	FEMALE COUPLING NUT	BRASS	NICKEL PLATED
7	4P FEMALE INSERT	TPE	BLACK
6	SOCKET CONTACT	BRASS	GOLD PLATED
5	OVER MOLD	TPE	GRAY
4	MALE COUPLING NUT	BRASS	NICKEL PLATED
3	4P MALE INSERT	TPE	BLACK
2	PIN CONTACT	BRASS	GOLD PLATED
1	12/4C AWG SHLD HIGH-FLEX, VFD	TPE JACKET, XLPE INSUL	SEE CHART

FUNCTIONAL SYMBOLS	THIS DRAWING CONTAINS INFORMATION THAT IS PROPRIETARY TO MOLEX ELECTRONIC TECHNOLOGIES, LLC AND SHOULD NOT BE USED WITHOUT WRITTEN PERMISSION			
	DIMENSION UNITS		SCALE	
	INCH/MM		1:1	
	CURRENT REV DESC: ITEM 5 WAS TPE. BOM, TEMP RATINGS, UL CERTIFIED FILE NO., VOLTAGE RATINGS & MAT. TABLE ARE UPDATED. MODIFIED TOL. TABLE			
DIVISIONAL SYMBOLS	GENERAL TOLERANCES (UNLESS SPECIFIED)			
	4 PLACES ±		±	
	3 PLACES ±		±	
	2 PLACES ±		±	
1 PLACE ±		±		
0 PLACES ±		±		
ANGULAR TOL ± °		°		
DRAFT WHERE APPLICABLE MUST REMAIN WITHIN DIMENSIONS		THIRD ANGLE PROJECTION		
DRAWING		SERIES		
C-SIZE		130062		
EC NO: 656902		2020/05/26		
DRWN: VHANDI		2021/06/25		
CHK'D: MZIELINSKI		2021/07/16		
APPR: BWOODMAN		2021/07/16		
INITIAL REVISION:		2017/04/11		
DRWN: MZIELINSKI		2017/06/30		
APPR: BWOODMAN		2017/06/30		
DOCUMENT NUMBER		DOC TYPE DOC PART REVISION		
1300620301		PSD 000 B		
MATERIAL NUMBER		CUSTOMER		
SEE TABLE		GENERAL MARKET		
SHEET NUMBER		1 OF 1		