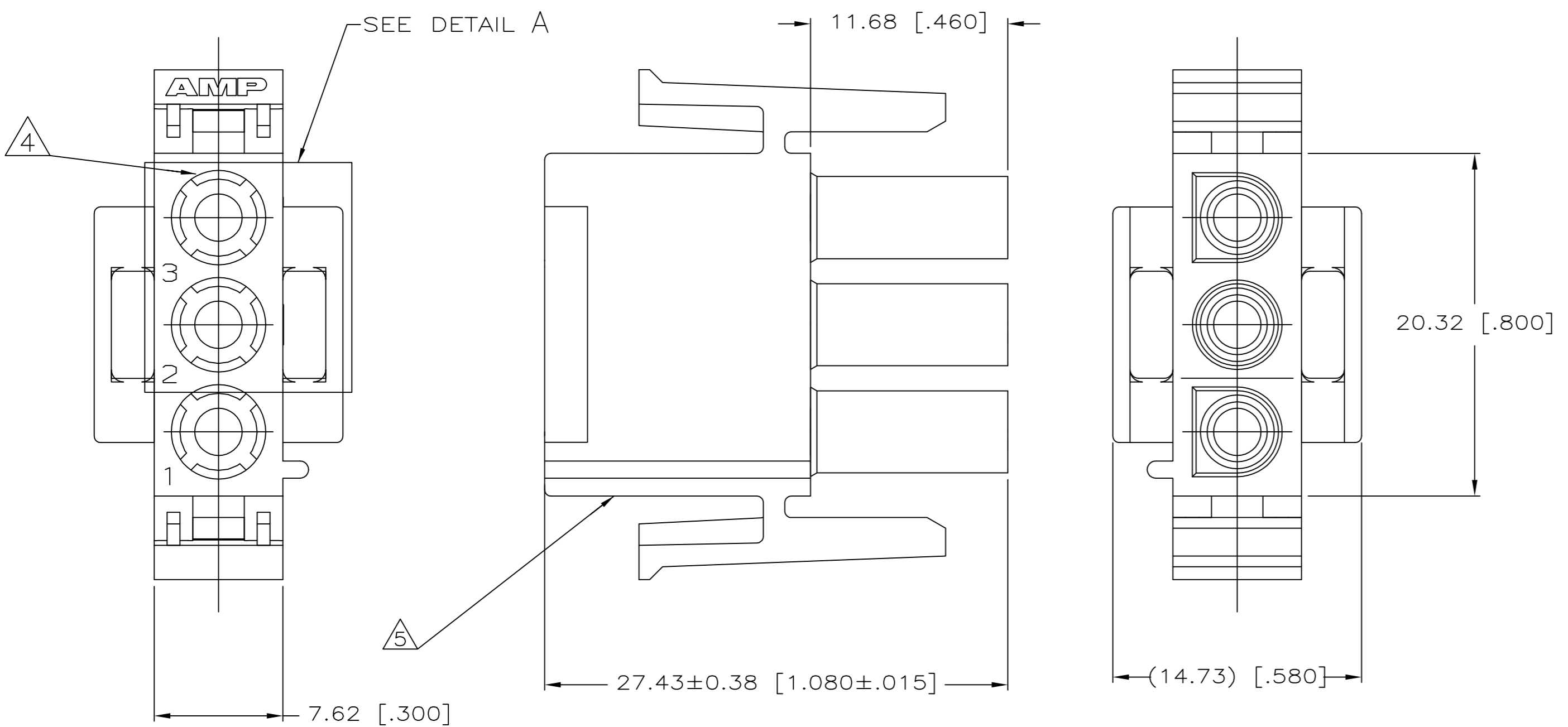
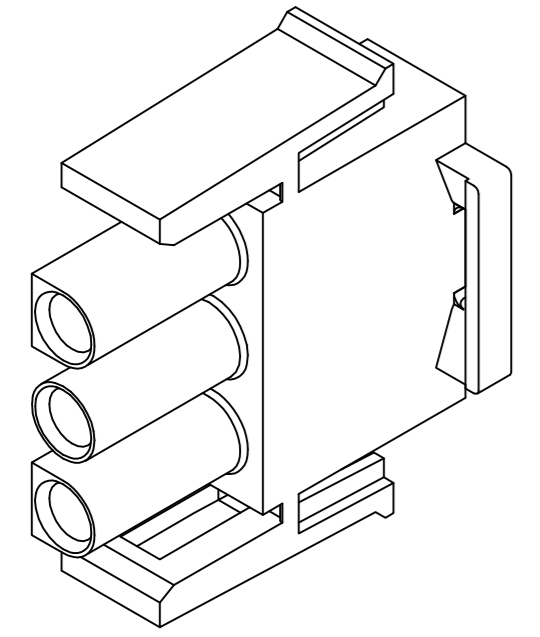
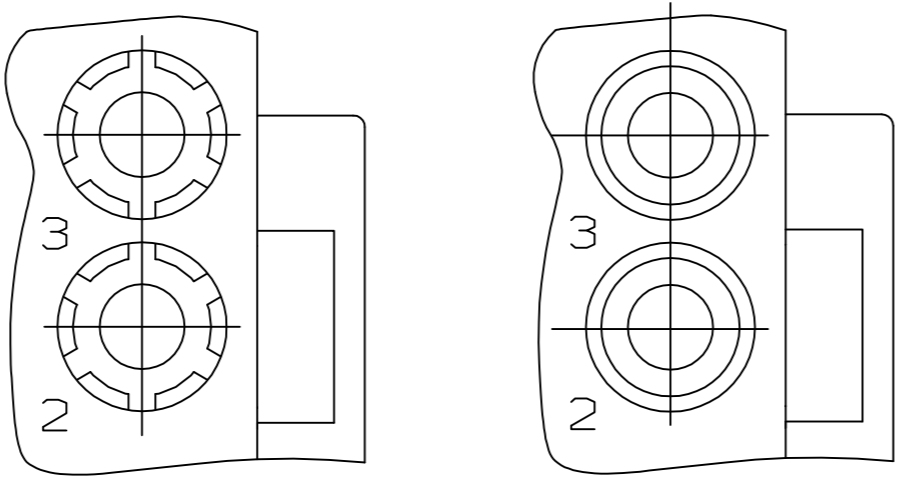
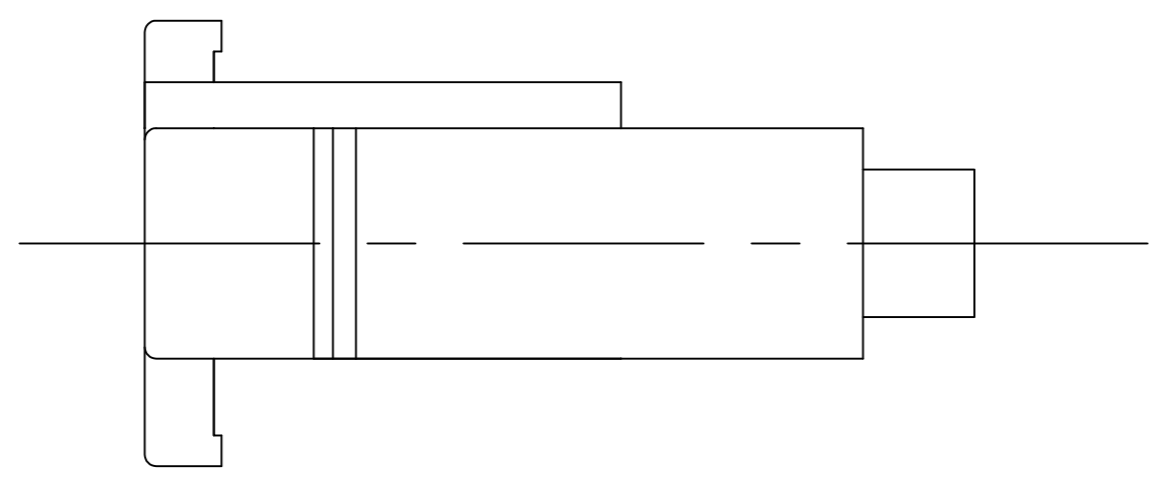


REVISIONS				
P	LTR	DESCRIPTION	DATE	APVD
A		REVISED PER ECR-17-015449	26OCT2017	BDA KR



1. MATES WITH APPROPRIATE UNIVERSAL MATE-N-LOK™ CAP OR HEADER.
2. SMALL NICKS ARE PERMITTED ON THE CIRCUIT TOWERS WHICH COULD INCREASE THE INITIAL HOUSING MATING FORCE BY UP TO 4.4 NEWTONS [1.0 LBS]. NO INDIVIDUAL NICKED TOWER SHALL INCREASE THIS FORCE BY OVER 2.2 NEWTONS [.5 LBS].
3. DIMENSIONS SHOWN REPRESENT PRODUCT IN DRY, AS MOLDED, CONDITION. ADDITIONAL 2% GROWTH DUE TO SUBSEQUENT MOISTURE ABSORPTION MAY OCCUR AND SHOULD BE ACCOUNTED FOR.
4. FOUR RIBS EQUALLY SPACED, NO SPECIFIC ORIENTATION. NO RIBS OR SIX RIBS EQUALLY SPACED, NO SPECIFIC ORIENTATION, OPTIONAL.
5. UNDERWRITERS RECOGNIZED COMPONENT LOGO AND CSA CERTIFICATION LOGO TO BE LOCATED ONCE EACH ON SIDE OF HOUSING.



3-DIMENSIONAL MODEL
NTS

DETAIL A
OPTIONAL CONSTRUCTION

THIS DRAWING IS A CONTROLLED DOCUMENT.		DWN S. HOOVER 05-MAR-2004	BLACK		1586377-1
DIMENSIONS: mm [INCHES]		CHK S. RIDGILL 05-MAR-2004	COLOR		PART NUMBER
TOLERANCES UNLESS OTHERWISE SPECIFIED:		APVD S. RIDGILL 05-MAR-2004			
0 PLC ±		NAME			
1 PLC ±		PRODUCT SPEC	PLUG, 3 CIRCUIT, UV RESISTANT UNIVERSAL MATE-N-LOK™		
2 PLC ± 0.13 [.005]		APPLICATION SPEC	SIZE	CAGE CODE	DRAWING NO
3 PLC ±		WEIGHT	A2	00779	C=1586377
4 PLC ±		CUSTOMER DRAWING	SCALE	SHEET	REV
4 ANGLES ±		NYLON, UL 94V-2	4:1	1 OF 1	A