



PRODUCT NUMBER
20020367-XXXXXXLF

20020367-□ □ □ □ □ □ □ L F

PITCH
C: 3.50 mm

POLES
06: 6 POLES

LF : DENOTED RoHS COMPATIBLE

1 : STANDARD PRODUCT
W/ BOX PACKING

PRINTING CODE

0 : +/-//C/NC/NO

1 : NO/NC/C//-/+/

SCREW CODE

PROPERTY TABLE	
FCI SERIES NAME	26-350
PITCH (mm)	3.50
VOLTAGE RATING (VAC)	300
CURRENT RATING (A)	10
APPLICABLE WIRE RANGE (AWG)	1-WIRE 16~24
	2-WIRE 20
WIRE CROSS SECTION (mm ²)	SOLID 1-WIRE 1.5
	SOLID 2-WIRE 0.5
	STRANDED 1-WIRE 1.0
	STRANDED 2-WIRE 0.2
OPENING CONTACT HOUSING(mm ²)	1.6x1.6
WIRE STRIP LENGTH(mm)	5~6
TORQUE +/-10% (N-m/Lb-in)	0.19/1.7
SCREW	M2x0.4
WITHSTANDING VOLTAGE (kV)	1.6
OPERATING TEMP. (°C)	-40~+115
SOLDERING TEMP. (°C)	250±10 (5 sec.)
POLES AVAILABLE	06
SAFETY CERTIFICATE	

HOUSING CODE

CODE	COLOR	AVAILABILITY
1	GREEN(RAL 6018/T)	STANDARD

CODE	SCREW TYPE	AVAILABILITY
A	-/+	ON REQUEST ONLY
B	-	STANDARD

NOTES:

MATERIALS

1-1 HOUSING: THERMALPLASTIC RESIN, UL 94V-0 RATED.

1-2 SCREW: STEEL, ZINC PLATED.

1-3 CLAMP: COPPER ALLOY, NICKEL PLATED.

1-4 TERMINAL: COPPER ALLOY, TIN PLATED.

2. PRODUCTION SPECIFICATION REFER TO FCI GS-12-625.

3. BOXED PACKAGING.

DETAILED PRODUCT PACKING SPECIFICATION REFER TO FCI GS-14-1394.

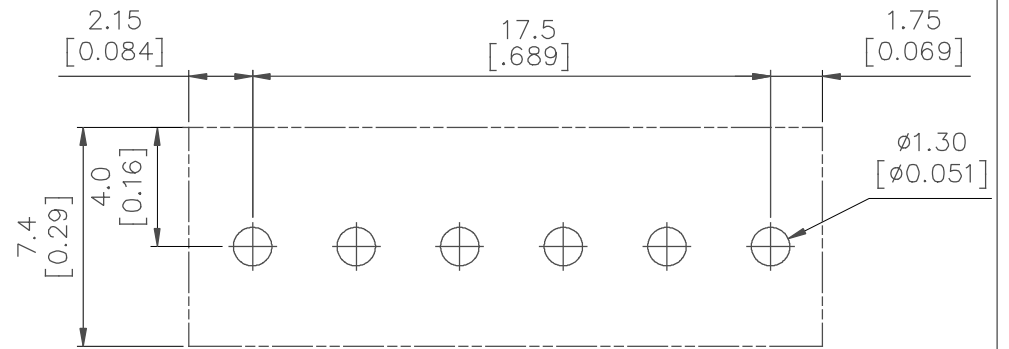
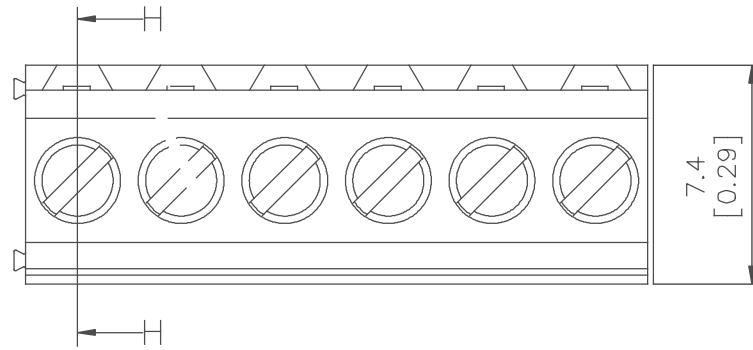
4. FCI, SAFETY CERTIFICATE LOGO AND SERIES NAME TO BE SHOWN ON PRODUCT SURFACE.

5. THE PRODUCTS WHERE THE PART NUMBER END IN "LF" MEET THE EUROPEAN UNION DIRECTIVE AND OTHER COUNTRY REGULATIONS AS DESCRIBED IN GS-22-008.

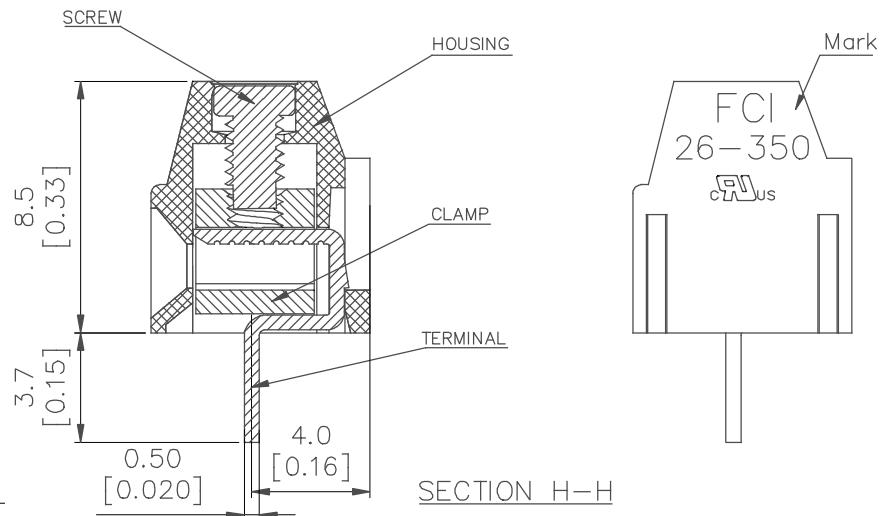
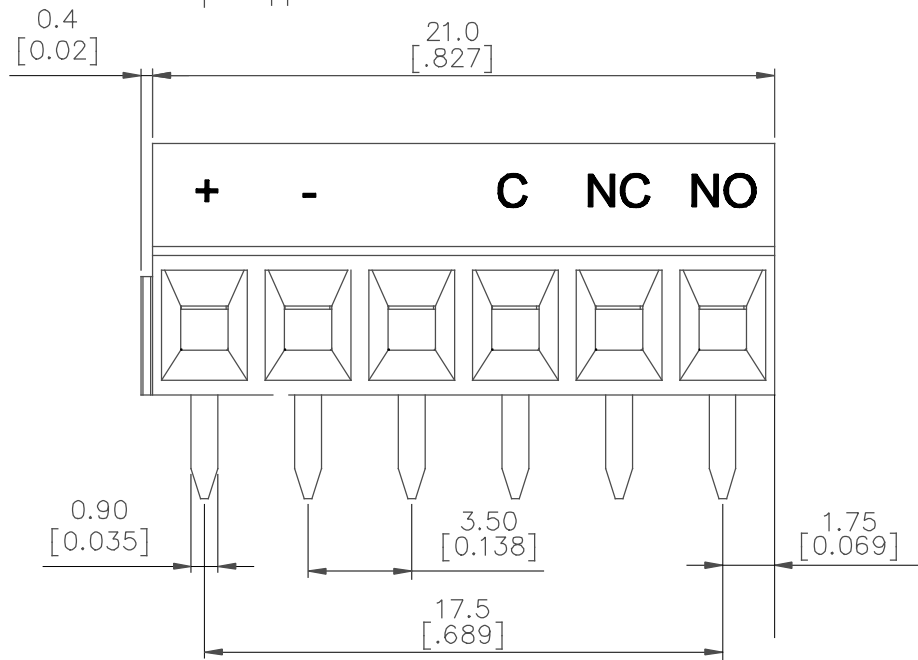
6. RECOMMENDED SOLDERING PROCESS BY WAVE SOLDER.

mat'l. code		surface ASME Y14.5 <input checked="" type="checkbox"/>	tolerance ASME Y14.5	projection	product family TERMINAL BLOCK
ltr	ecn no	dr	date	title	
A		LS	083012	TERMINAL BLOCK FIXED HORIZONTAL WIRE INLET	
		angles	X.±0.5	MM [INCH]	dwg no 20020367 sheet 1 of 3 size A4
		tolerances unless otherwise specified	X.X±0.3	scale	
			X'±1'	X.XX±0.1	type CUSTOMER Drawing
		dr	LEIF SHEN 020712		
		enr	LEIF SHEN 020712		
		chr	LEIF SHEN 020712		
		appd	JOSEPH HSIA 020712		
sheet index	revision sheet	A	A	A	
		1	2	3	

PRODUCT NUMBER	SERIES NAME	PITCH
20020367-C061B01LF	26-350	3.50 mm



P.C.B. LAYOUT



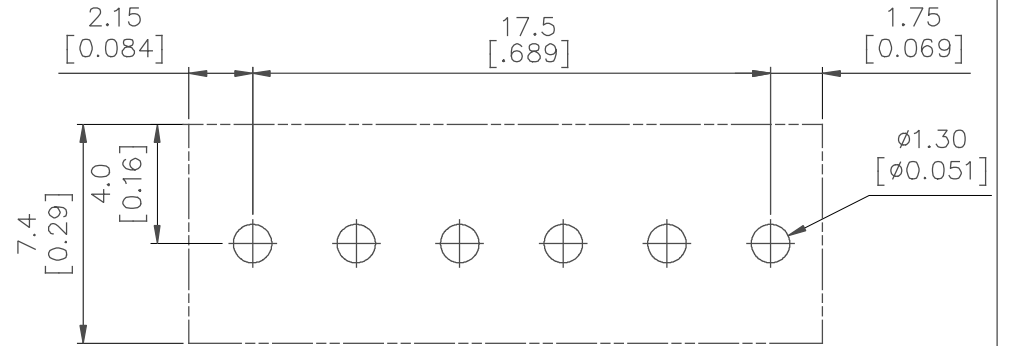
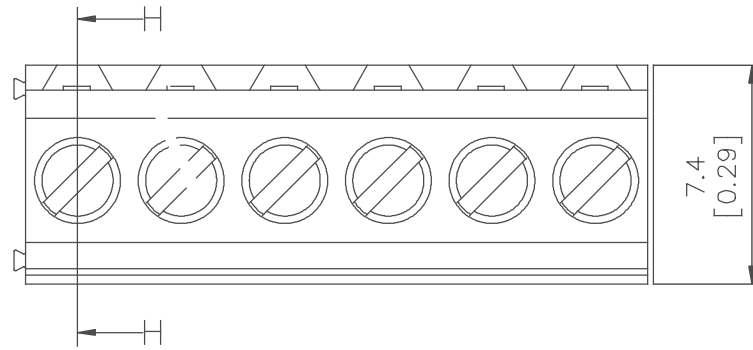
SECTION H-H

Poles	TOL.
6p	±0.15[0.006]

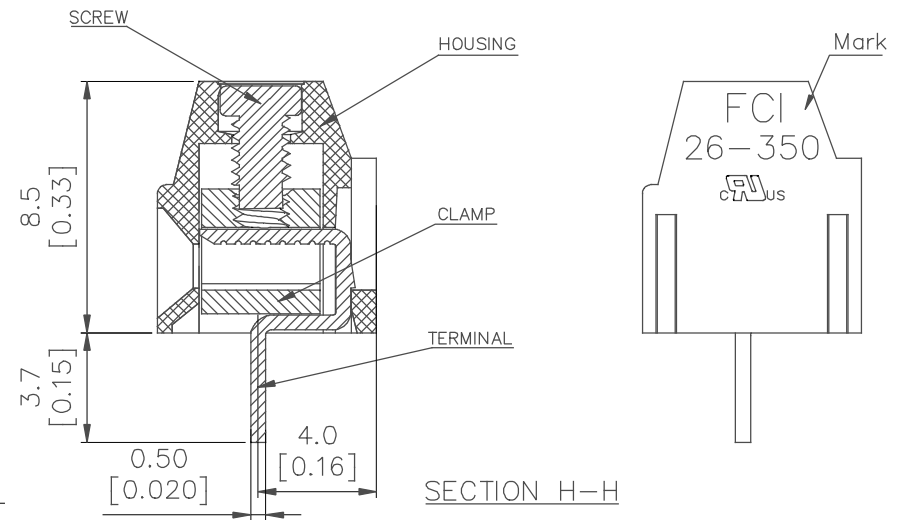
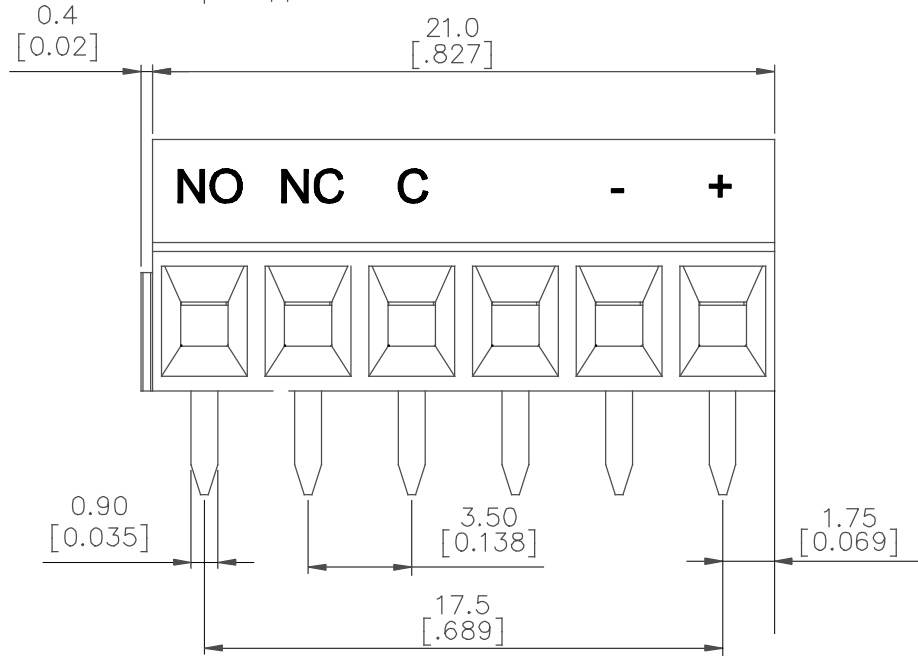
mat'l. code	surface ASME Y14.5	tolerance ASME Y14.5	projection MM INCH	product family TERMINAL BLOCK
ltr	ecn no	dr	date	title TERMINAL BLOCK FIXED HORIZONTAL WIRE INLET
A				20020367
				sheet 2 of 2
				size A4
				type CUSTOMER Drawing
sheet index	revision sheet			



PRODUCT NUMBER	SERIES NAME	PITCH
20020367-C061B11LF	26-350	3.50 mm



P.C.B. LAYOUT



SECTION H-H

Poles	TOL.
6p	±0.15 [0.006]

mat'l. code	surface ASME Y14.5	tolerance ASME Y14.5	projection MM INCH	product family TERMINAL BLOCK
ltr	ecn no	dr	date	title TERMINAL BLOCK FIXED HORIZONTAL WIRE INLET
A				scale FCI
		angles X'±1'	lineout X.±0.5 X.X±0.3 X.XX±0.1	dwg no 20020367
		dr LEIF SHEN	020712	sheet 3 of A4
		enr LEIF SHEN	020712	size
		chr LEIF SHEN	020712	type CUSTOMER Drawing
		appd JOSEPH HSIA	020712	
sheet index	revision sheet			