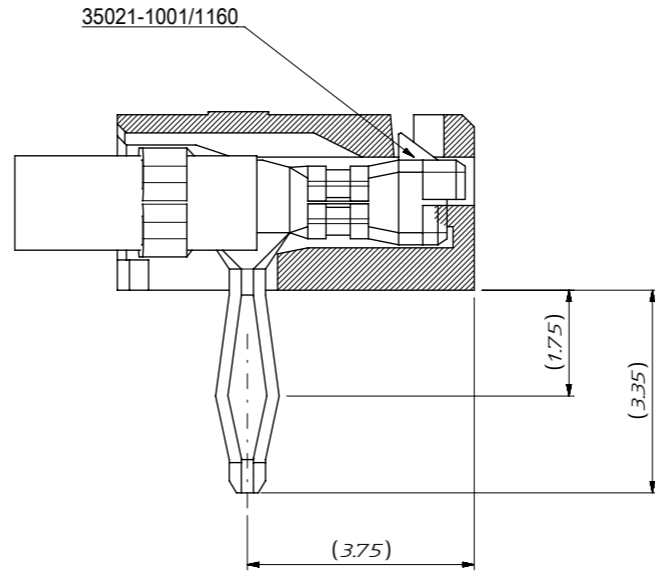
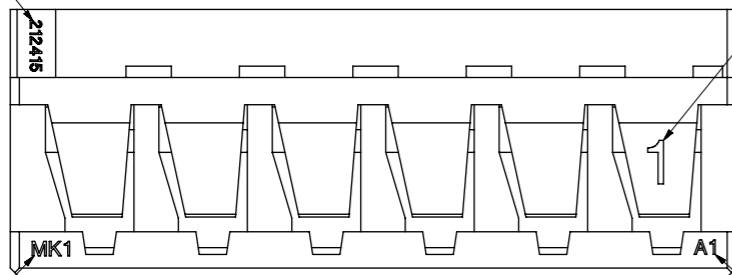


SERIES NUMBER

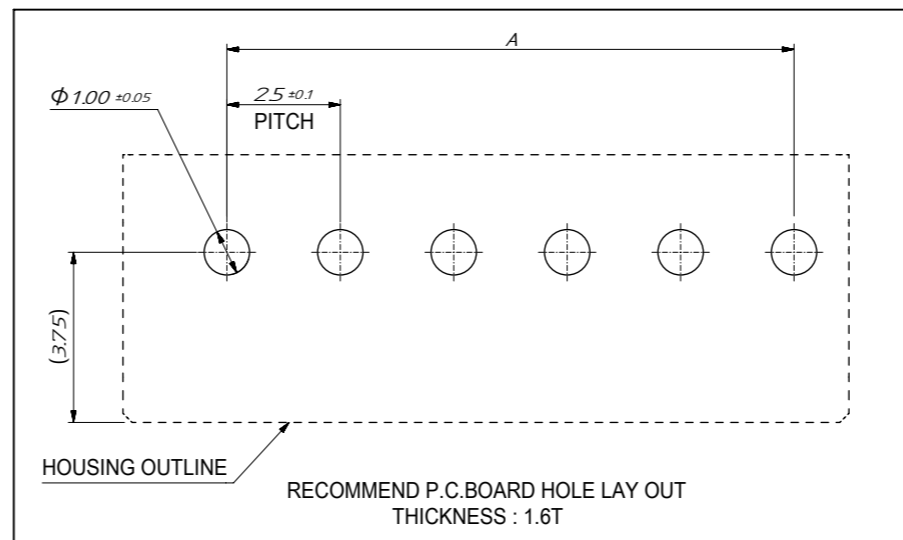
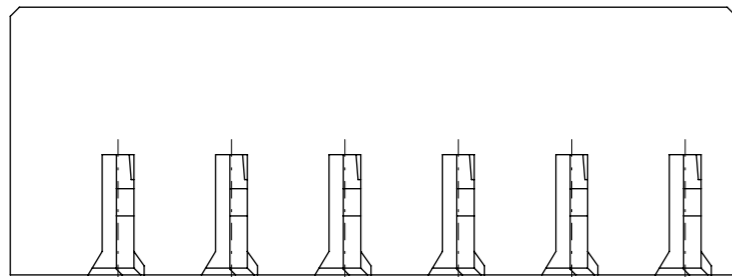
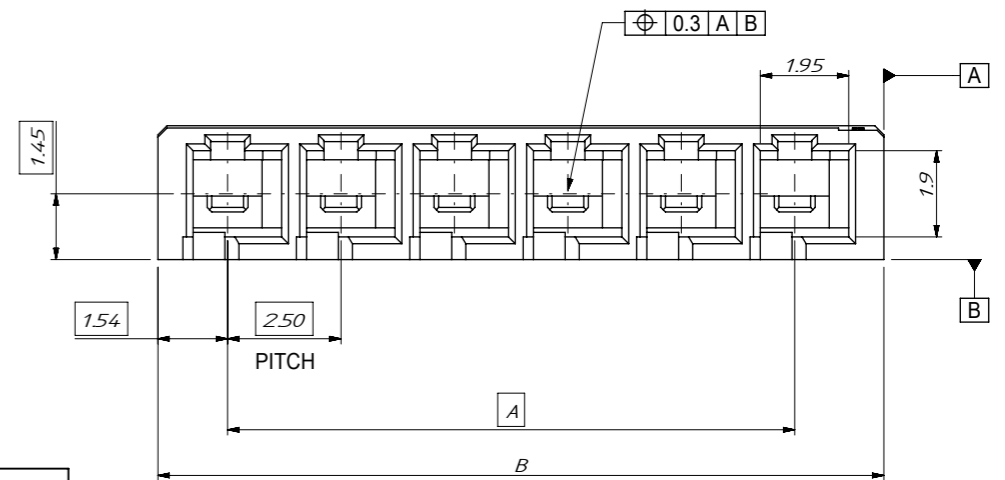
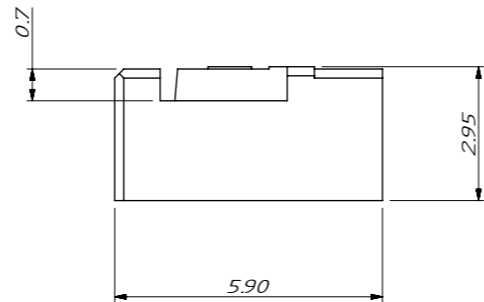
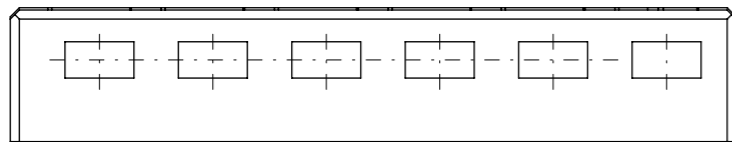
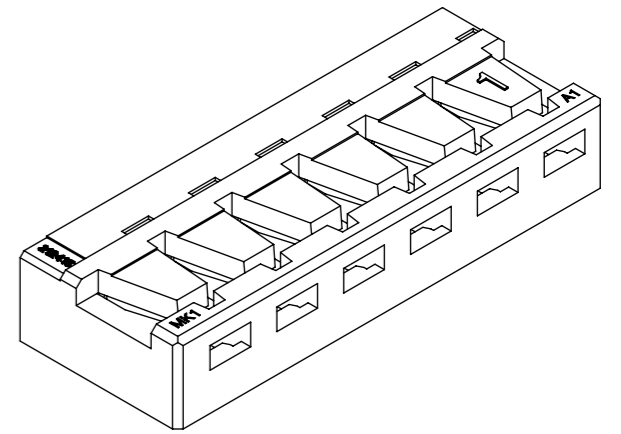
CIRCUIT NUMBER

CAVITY NUMBER

TRADE MARK

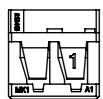


MATE WITH CRIMP TERMINAL

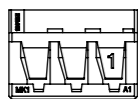


NOTE

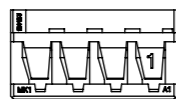
1. MATERIAL : POLYAMIDE 66(PA66), UNFILLED UL94 V-0, COLOR : NATURAL
2. PRODUCT SPECIFICATION : PS-2124150000
3. PACKAGING INFORMATION : PK-2124150000
4. MATE WITH : 35021-1001/1160



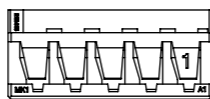
2CKT
212415-0200



3CKT
212415-0300



4CKT
212415-0400



5CKT
212415-0500

CKT. NO.	A	B	MATERIAL NO.
2	2.5	6	2124150200
3	5.0	8.5	2124150300
4	7.5	11.0	2124150400
5	10.0	13.5	2124150500
6	12.5	16.0	2124150600

SYMBOLS		THIS DRAWING CONTAINS INFORMATION THAT IS PROPRIETARY TO MOLEX ELECTRONIC TECHNOLOGIES, LLC AND SHOULD NOT BE USED WITHOUT WRITTEN PERMISSION	
$\nabla = 0$	mm	SCALE	6:1
$\nabla = 0$	GENERAL TOLERANCES (UNLESS SPECIFIED)		
$\nabla = 0$	ANGULAR TOL \pm °		
$\nabla = 0$	4 PLACES	\pm	
$\nabla = 0$	3 PLACES	\pm	
$\nabla = 0$	2 PLACES	± 0.2	
$\nabla = 0$	1 PLACE	± 0.15	
$\nabla = 0$	0 PLACES	\pm	
$\nabla = 0$	DRAFT WHERE APPLICABLE MUST REMAIN WITHIN DIMENSIONS		
THIRD ANGLE PROJECTION		DRAWING	SERIES
		A3-SIZE	212415
CURRENT REV DESC:		EC NO: 633342	2020/03/04
		DRWN: JDPARK01	2020/03/04
		CHK'D: JBJIN	2020/03/04
		APPR: YSKIM02	2020/03/09
INITIAL REVISION:		DRWN: SCHONG03	2019/03/07
		APPR: YSKIM02	2020/02/23
DOCUMENT NUMBER		DOC TYPE	DOC PART
2124150000		PSD	000
REVISION		A2	
MATERIAL NUMBER		CUSTOMER	SHEET NUMBER
212415			1 OF 1