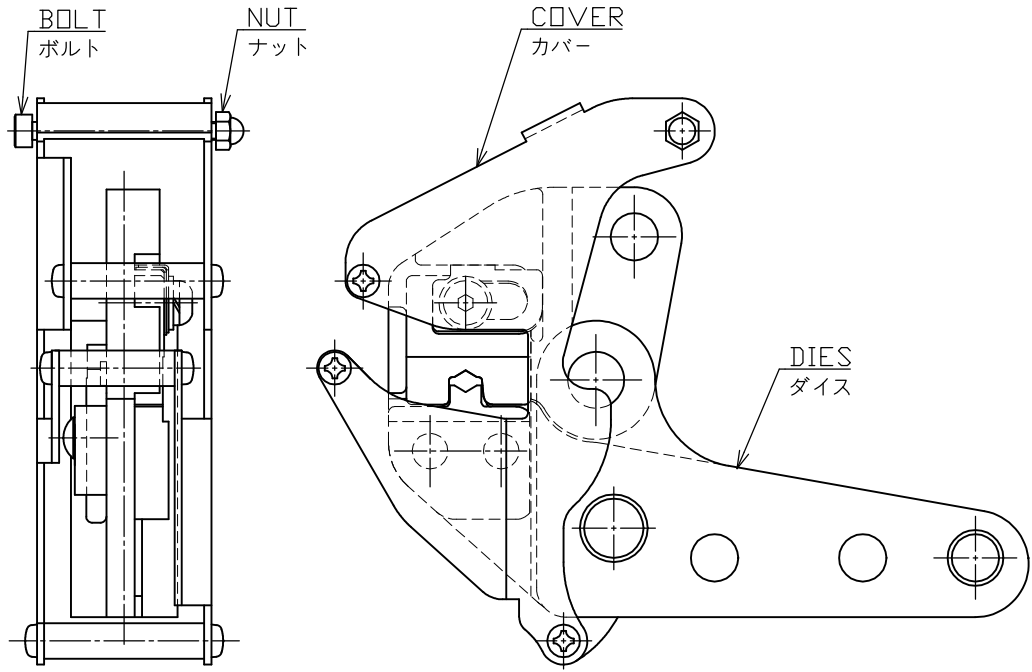
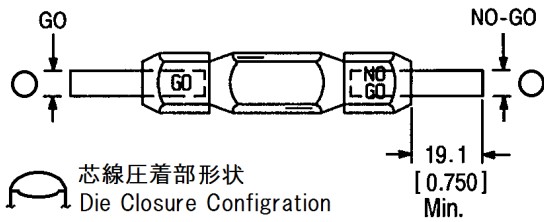


REVISIONS					
P	LTR	DESCRIPTION	DATE	DWN	APVD
	B1	ECR-18-018872	03DEC2018	S.N	J.S

PART NUMBER	WIRE RANGE	TERMINAL	INSTRUCTION SHEET	REMARKS
2155399-1	AWG 16-14	PIDG	408-78049	WITH COVER

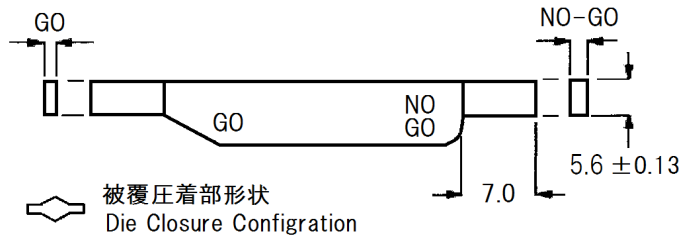


芯線圧着部ゲージ寸法
Wire Barrel Crimp Section



ゲージ寸法 GAGE ELEMENT DIM.	
GO	NO-GO
3.02 -0.003 -0.008	3.19 -0.002 -0.007

被覆圧着部ゲージ寸法
Insulation Barrel Crimp Section



ゲージ寸法 GAGE ELEMENT DIM.	
GO	NO-GO
1.14 -0.003 -0.008	1.66 -0.002 -0.007

THIS DRAWING IS UNPUBLISHED. © COPYRIGHT - By Tyco Electronics Japan G.K. DRG 722638-1 Rev R DRG 411-5181 Rev 01
 ALL RIGHTS RESERVED.

DIMENSIONS: mm	DWN S.NAKA	27SEP2013	MATERIAL COMMERCIAL ITEM	FINISH -
	CHK S.NAKA	27SEP2013	TE Connectivity Ltd.	
TOLERANCES UNLESS OTHERWISE SPECIFIED:	APVD J.KOGA	27SEP2013		
	0 PLC ± - 1 PLC ± - 2 PLC ± - 3 PLC ± - 4 PLC ± - ANGLES ± -	PRODUCT SPEC -	APPLICATION SPEC -	SIZE A4
	WEIGHT 486g		DRAWING NO C-2155399	RESTRICTED TO -
CUSTOMER DRAWING			SCALE -	SHEET 1 OF 1
			REV B1	