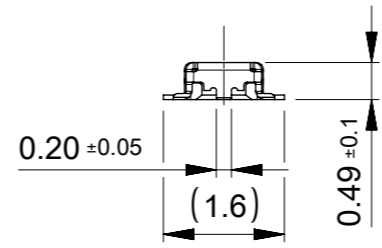
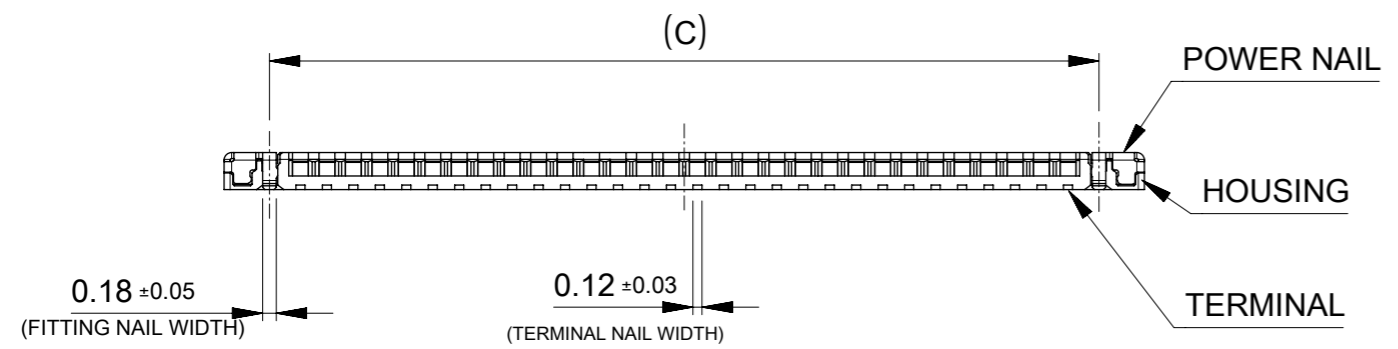
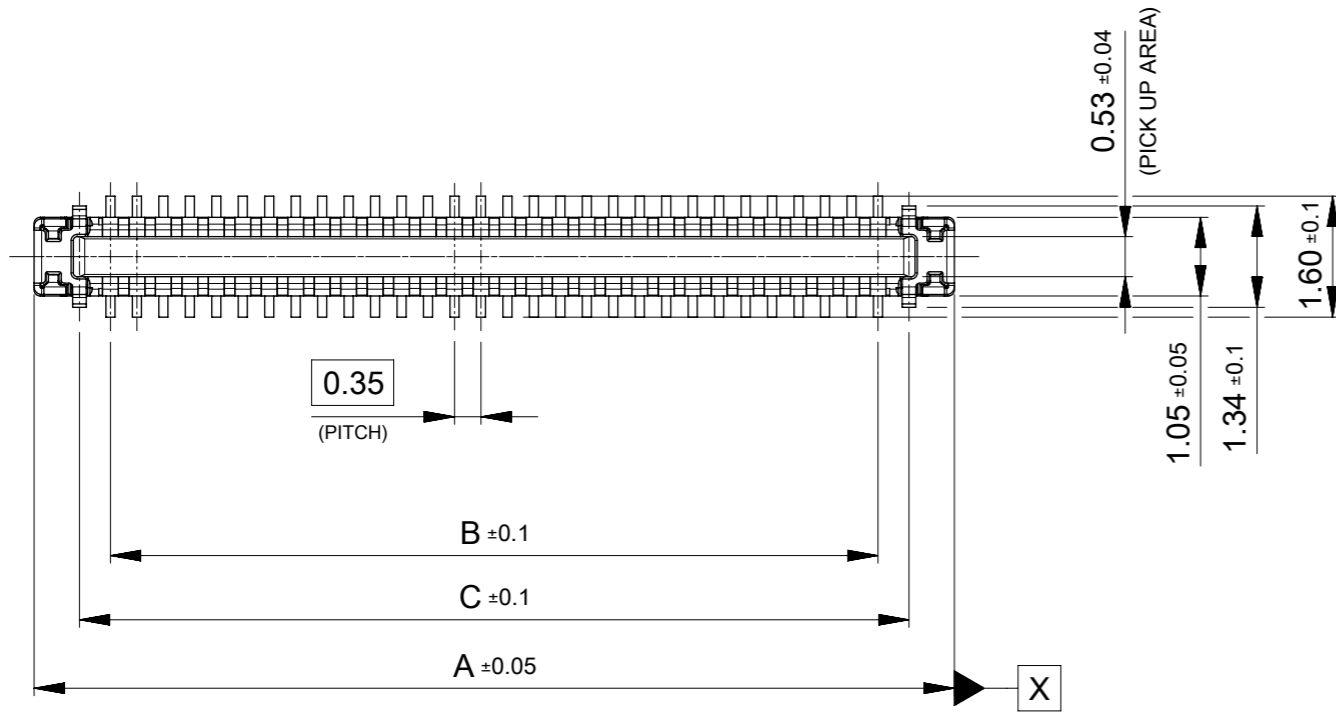


GENERAL DRAWING

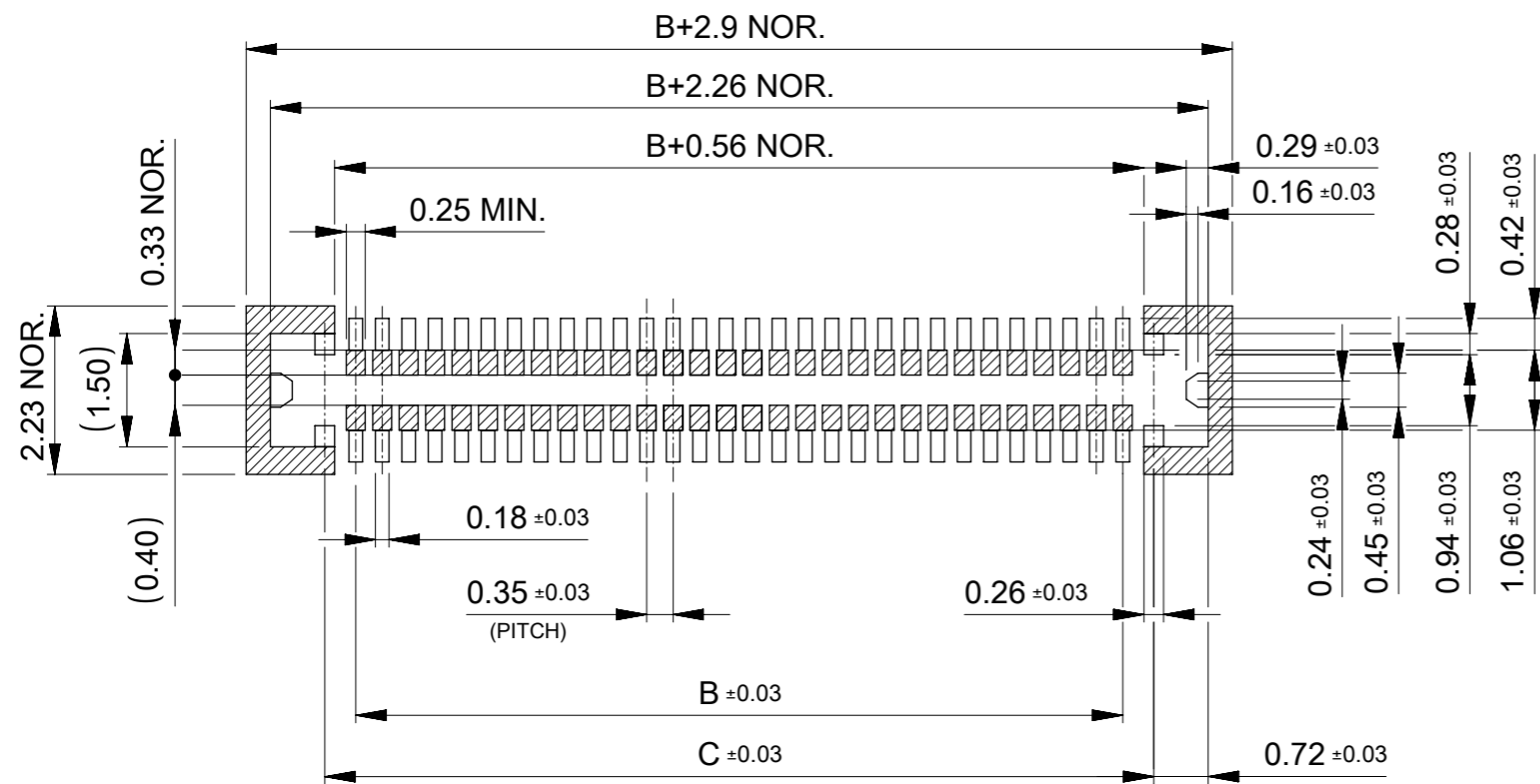


NOTES

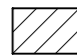
- MATERIAL
HOUSING : LIQUID CRYSTAL POLIMER UL94V-0 (COLOR : BLACK)
TERMINAL : COPPER ALLOY
FITTING NAIL : COPPER ALLOY
- PLATING
TERMINAL :
CONTACT AREA : GOLD PLATING(0.1µm MINIMUM)
SOLDER TAIL AREA : GOLD PLATING(0.05µm MINIMUM)
UNDER PLATING : NICKEL OVERALL(1.0µm MINIMUM)
* DIVIED INTO PARTS THE GOLD PLATING OF THE CONTACT AND THE TAIL PART BY THE NICKEL PLATING.
FITTING NAIL :
CONTACT AREA :GOLD PLATING(0.1µm MINIMUM)
SOLDER TAIL AREA : GOLD PLATING(0.05µm MINIMUM)
UNDER PLATING : NICKEL OVERALL(1.0µm MINIMUM)
* DIVIED INTO PARTS THE GOLD PLATING OF THE CONTACT AND THE TAIL PART BY THE NICKEL PLATING.
- MATE WITH : 216700****
- COPLANARITY : SHALL BE 0.08MAX. ON BOTH OF TERMINAL AND NAIL.
AND 0.1 MAXIMUM AFTER REFLOW
- PROHIBITED AREA OF PATTERN WIRING AND SOLDER.
(FOR EACH AREA, THE WIRING THAT TOUCHES ON THE SOLDER CAN BE ATTACHED, THEN COVERED WITH A FILM TO KEEP SOLDER OUT)

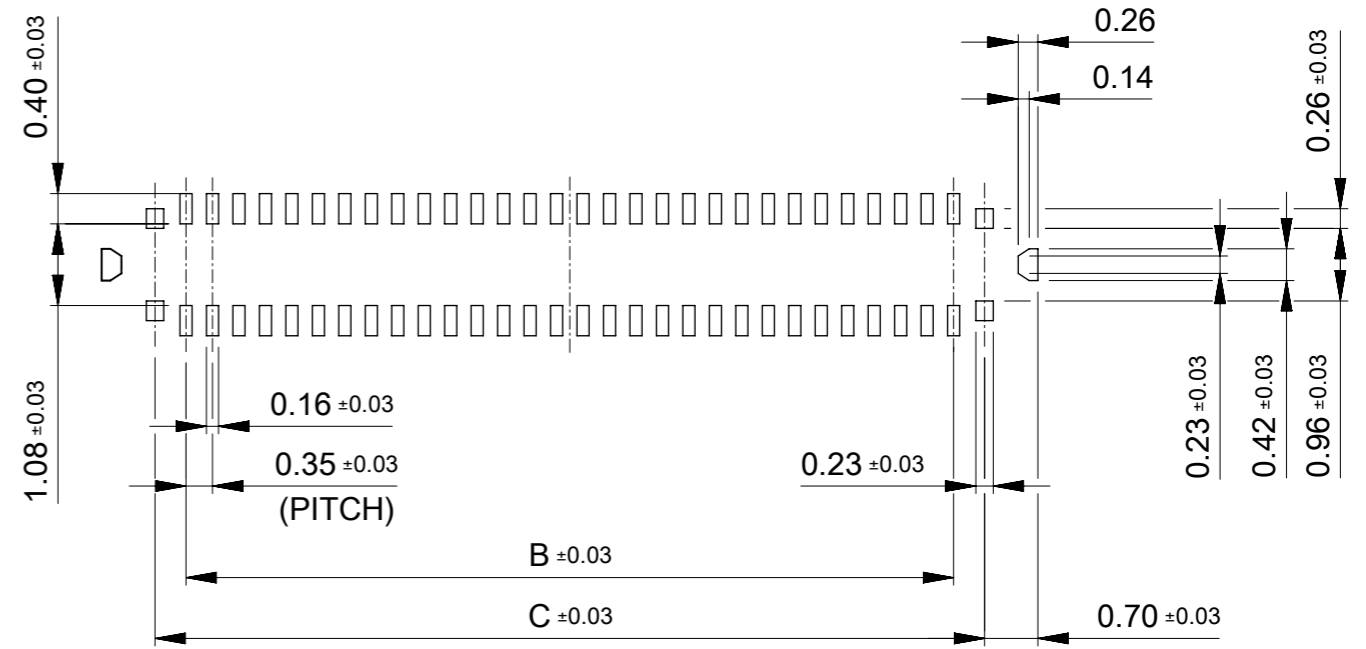
10.97	10.15	12.17	2167010609	---	O	60
9.92	9.10	11.12	2167010549	O	---	54
9.22	8.40	10.42	2167010509	O	---	50
7.47	6.65	8.67	2167010409	O	---	40
5.72	4.90	6.92	2167010309	---	O	30
4.67	3.85	5.87	2167010249	---	O	24
3.97	3.15	5.17	2167010209	O	---	20
2.22	1.40	3.42	2167010109	---	O	10
C	B	A	EMBOSSSED TAPE PACKAGE	HIGH VOL. TOOL	LOW VOL. TOOL	Ckts
ORDER No.			SAMPLE PREPARATION			
			O : TOOLED			
			□ : WORK PROCESS			
			--- : TOOLING TO BE CONFIRMED			
CONNECTOR SERIES No. : 2167010***						

FUNCTIONAL SYMBOLS	THIS DRAWING CONTAINS INFORMATION THAT IS PROPRIETARY TO MOLEX ELECTRONIC TECHNOLOGIES, LLC AND SHOULD NOT BE USED WITHOUT WRITTEN PERMISSION		CURRENT REV DESC:		molex		
	mm	10:1					
DIVISIONAL SYMBOLS	GENERAL TOLERANCES (UNLESS SPECIFIED)		EC NO: 746141		PRODUCT CUSTOMER DRAWING		
	ANGULAR TOL ± 1.0°		DRWN: DWLEE02 2023/04/14				
4 PLACES ± 0.05		CHK'D: JHCHANG 2023/04/14		DOCUMENT NUMBER	DOC TYPE	DOC PART	REVISION
3 PLACES ± 0.05		APPR: JBJIN 2023/04/17					
2 PLACES ± 0.05		INITIAL REVISION:					
1 PLACE ± 0.1		DRWN: JHCHANG 2023/04/13					
0 PLACES ± 0.2		APPR: JBJIN 2023/04/17					
DRAFT WHERE APPLICABLE MUST REMAIN WITHIN DIMENSIONS		THIRD ANGLE PROJECTION	DRAWING	SERIES	MATERIAL NUMBER	CUSTOMER	SHEET NUMBER
			A3-SIZE	216701	SEE CHART	GENERAL	1 OF 2



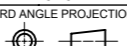
RECOMMENDED P.C.BOARD PATTERN LAYOUT
(FOR REFERENCE)

 SOLDER PROHIBITED AREA.
WHEN WIREING IS LOCATED,
THE WIRING MUST BE MASKED BY COVER LAY OR RESIST FILM.

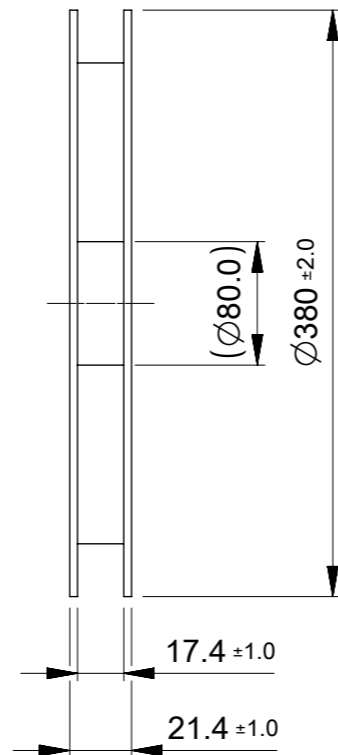
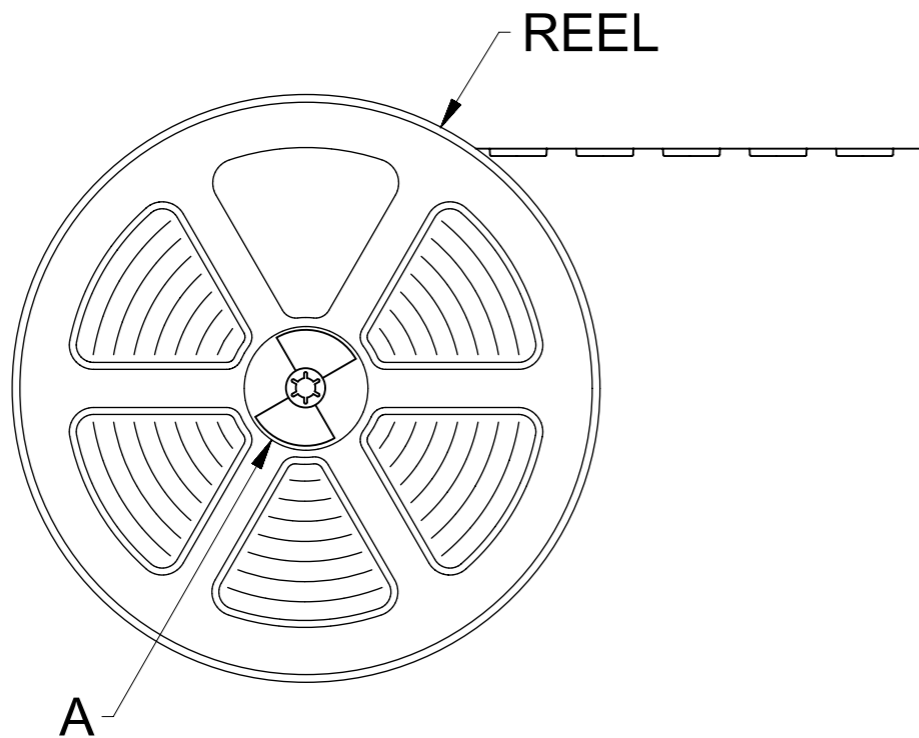


RECOMMENDED METAL MASK LAYOUT
(FOR REFERENCE)

RECOMMENDED THICKNESS : 0.08mm
RECOMMENDED APERTURE DIMENSION IS JUST SAME AS SHOWN FIGURE ABOVE.
FOR THIS DIMENSION, APERTURE RATIO ARE SIGNAL TERMINAL AND
FITTING NAIL ALL 80%.

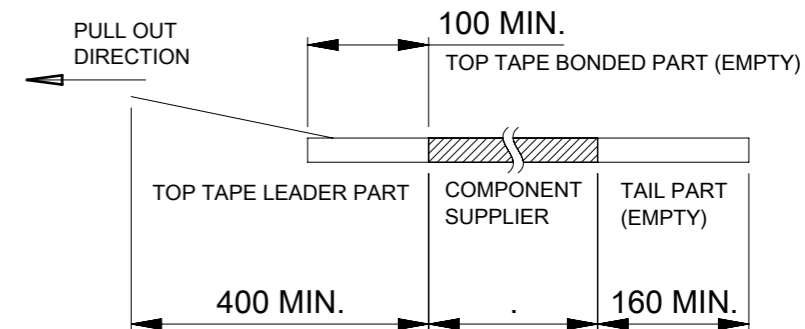
FUNCTIONAL SYMBOLS	THIS DRAWING CONTAINS INFORMATION THAT IS PROPRIETARY TO MOLEX ELECTRONIC TECHNOLOGIES, LLC AND SHOULD NOT BE USED WITHOUT WRITTEN PERMISSION		CURRENT REV DESC:			molex		
	▽A = 0	mm						
▽E = 0	GENERAL TOLERANCES (UNLESS SPECIFIED)		EC NO: 746141			2023/04/14		
▽F = 0	ANGULAR TOL ± 1.0 °		DRWN: DWLEE02			2023/04/14		
DIVISIONAL SYMBOLS	4 PLACES	± 0.05	CHK'D: JHCHANG			2023/04/17		
	3 PLACES	± 0.05	APPR: JBJIN			2023/04/17		
	2 PLACES	± 0.05	INITIAL REVISION:			DOCUMENT NUMBER		
	1 PLACE	± 0.1	DRWN: JHCHANG			2167010000-SD		
0 PLACES	± 0.2	APPR: JBJIN			PSD 001 A			
DRAFT WHERE APPLICABLE MUST REMAIN WITHIN DIMENSIONS		THIRD ANGLE PROJECTION	DRAWING	SERIES	MATERIAL NUMBER	CUSTOMER	SHEET NUMBER	
			A3-SIZE	216701	SEE CHART	GENERAL	2 OF 2	

⇒ PULL OUT DIRECTION

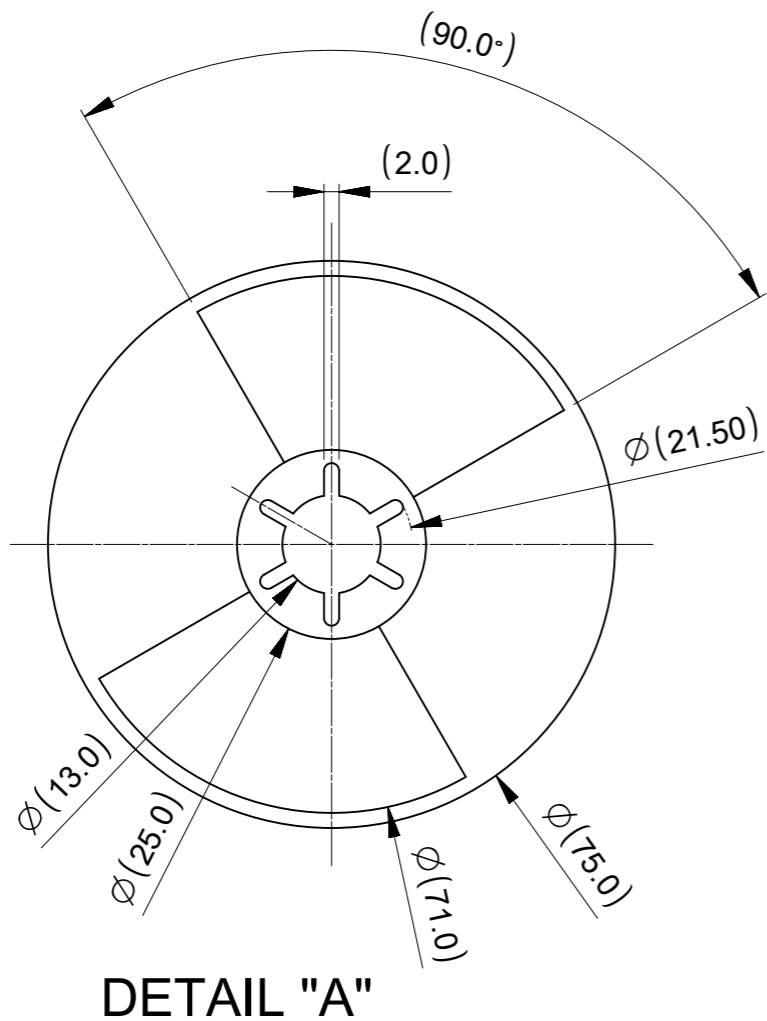


NOTES

1. RE DETAILED DIMENSION, SEE PRODUCT DRAWING.
2. NUMBER OF CONNECTORS : 20,000PCS/REEL
3. LEAD TAPE LENGTH :



4. PEEL OFF FORCE OF THE TOP TAPE IS DEFINED BY IEC 60286-3.
5. MATERIAL
 - CARRIER TAPE : POLYSTYRENE OR PET
 - TOP TAPE : PET, OTHER
 - REEL : POLYSTYRENE(PS) [RECYCLE MATERIAL CONTAINED]

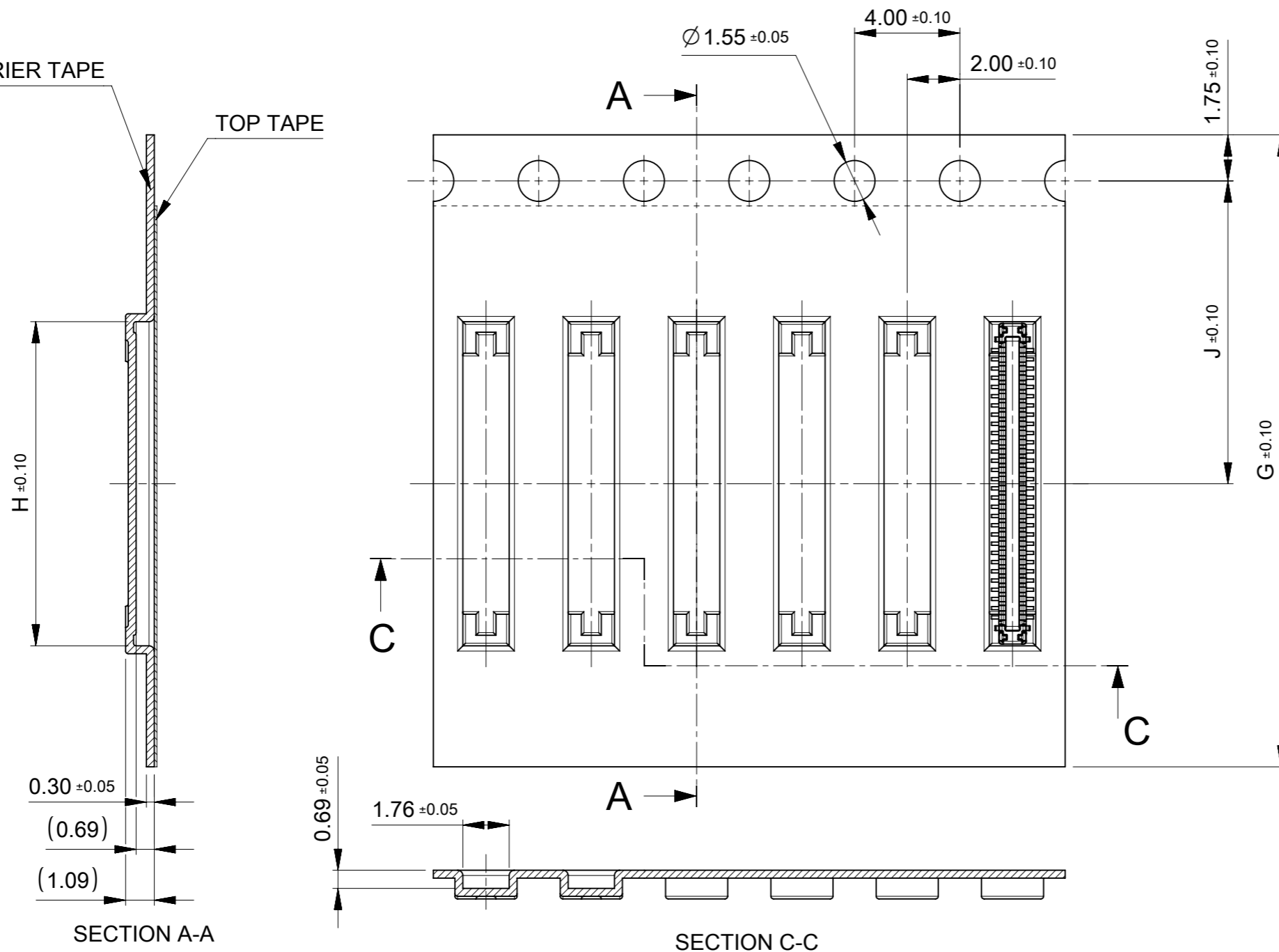


FUNCTIONAL SYMBOLS	THIS DRAWING CONTAINS INFORMATION THAT IS PROPRIETARY TO MOLEX ELECTRONIC TECHNOLOGIES, LLC AND SHOULD NOT BE USED WITHOUT WRITTEN PERMISSION		CURRENT REV DESC:		molex
	DRWN: DWLEE02	2023/04/14	0.35 BB CONN H=0.6 ACB6 PLUS PLUG PKG		
DRWN: JHCHANG	2023/04/14	EC NO: 746141		PRODUCT CUSTOMER DRAWING	
APPR: JBJIN	2023/04/17	DRWN: JHCHANG		DOCUMENT NUMBER	
APPR: JBJIN	2023/04/17	APPR: JBJIN		2167010001-SD	
INITIAL REVISION:	2023/04/13	DRWN: JHCHANG		DOC TYPE	
APPR: JBJIN	2023/04/17	APPR: JBJIN		PSD	
DRWN: JHCHANG	2023/04/13	APPR: JBJIN		DOC PART	
APPR: JBJIN	2023/04/17	APPR: JBJIN		001	
DRWN: JHCHANG	2023/04/13	APPR: JBJIN		REVISION	
APPR: JBJIN	2023/04/17	APPR: JBJIN		A	
DRWN: JHCHANG	2023/04/13	APPR: JBJIN		SHEET NUMBER	
APPR: JBJIN	2023/04/17	APPR: JBJIN		1 OF 2	

PULL OUT DIRECTION →

EMBOSS CARRIER TAPE

TOP TAPE



SECTION A-A

SECTION C-C

12.31	11.50	24.00	2167010609	---	O	60
11.26			2167010549	O	---	54
10.56			2167010509	O	---	50
8.81	9.25	16.00	2167010409	O	---	40
7.06			2167010309	---	O	30
6.01			2167010249	---	O	24
5.34			2167010209	O	---	20
3.56			2167010109	---	O	10
H	J	G	EMBOSSED TAPE PACKAGE	HIGH VOL. TOOL	LOW VOL. TOOL	Ckts
ORDER No.			SAMPLE PREPARATION			
			O : TOOLED □ : WORK PROCESS --- : TOOLING TO BE CONFIRMED			
CONNECTOR SERIES No. : 216701****						

FUNCTIONAL SYMBOLS	THIS DRAWING CONTAINS INFORMATION THAT IS PROPRIETARY TO MOLEX ELECTRONIC TECHNOLOGIES, LLC AND SHOULD NOT BE USED WITHOUT WRITTEN PERMISSION		CURRENT REV DESC:		molex
▽ _A = 0	mm	SCALE 5:1			
▽ _E = 0	GENERAL TOLERANCES (UNLESS SPECIFIED)				0.35 BB CONN H=0.6 ACB6 PLUS PLUG PKG
▽ _F = 0	ANGULAR TOL ± 1.0°				PRODUCT CUSTOMER DRAWING
DIVISIONAL SYMBOLS	4 PLACES ± 0.05	3 PLACES ± 0.05	2 PLACES ± 0.05	1 PLACE ± 0.1	0 PLACES ± 0.2
	EC NO: 746141		2023/04/14		DOCUMENT NUMBER
	DRWN: DWLEE02		2023/04/14		2167010001-SD
	CHK'D: JHCHANG		2023/04/17		DOC TYPE
	APPR: JBJIN				PSD
	INITIAL REVISION:				DOC PART
	DRWN: JHCHANG		2023/04/13		001
	APPR: JBJIN		2023/04/17		REVISION
	DRAFT WHERE APPLICABLE MUST REMAIN WITHIN DIMENSIONS		THIRD ANGLE PROJECTION	DRAWING	SHEET NUMBER
			A3-SIZE	SERIES 216701	2 OF 2
			MATERIAL NUMBER	CUSTOMER	
			SEE SHEET2	GENERAL	