

THIS DRAWING IS UNPUBLISHED. RELEASED FOR PUBLICATION

© COPYRIGHT - BY TYCO ELECTRONICS CORPORATION. ALL RIGHTS RESERVED.

LOC H DIST -

REVISIONS

P	LTR	DESCRIPTION	DATE	DWN	APVD
C		REVISED PER ECR-14-000978	22JAN2014	AB	OL
D		REVISED PER ECR-14-008991	21JUL2014	PP	OL
D1		REVISED PER ECR-14-012391	18AUG2014	FD	OL
D2		REVISED PER ECR-18-007237	17MAY2018	SR	DD

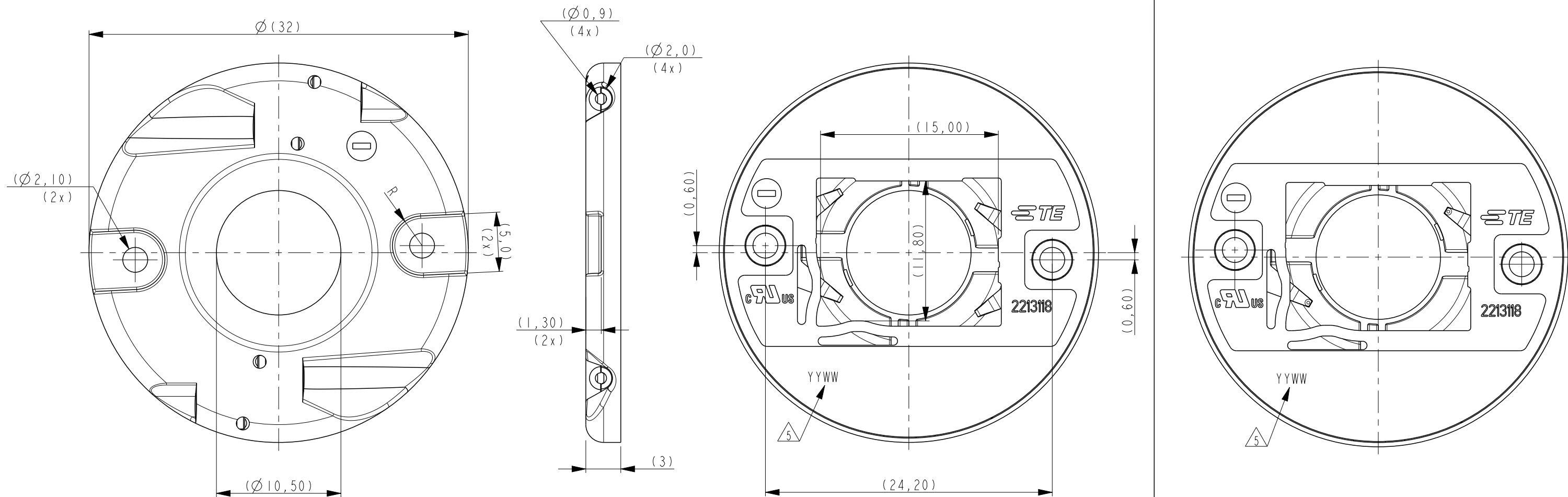
NOTES:

- MATERIALS:
- BASE & COVER: PBT,
COLOR: NATURAL,
- CONTACTS: COPPER ALLOY.
- FOR SOLID AND STRANDED WIRE AWG 22 - 20 USE.
- COMPLIES WITH DIRECTIVE 2002/95/EC (ROHS).
- SREWS TO BE USED: M2x6.

△ YEAR/WEEK CODING

P/N 2213118-1
2 PARALLEL CONTACT BEAM VERSION

P/N 2213118-2
SINGLE CONTACT BEAM VERSION



THIS DRAWING IS A CONTROLLED DOCUMENT.		DWN P. POORTER 19JUL2012	TE Connectivity NAME LUMAWISE LED HOLDER Z32 LOW PROFILE 1215	
DIMENSIONS: mm		CHK O. LEIJNSE 19JUL2012		
TOLERANCES UNLESS OTHERWISE SPECIFIED:		APVD O. LEIJNSE 19JUL2012		
0 PLC ±- 1 PLC ±- 2 PLC ±- 3 PLC ±- 4 PLC ±- ANGLES ±-		PRODUCT SPEC 108-133006		
MATERIAL -		FINISH -	APPLICATION SPEC 114-32045	SIZE A3
			WEIGHT -	CAGE CODE 00779
			Customer Drawing	DRAWING NO C-2213118
				RESTRICTED TO -
			SCALE 3:1	SHEET 1 OF 2
				REV D2

THIS DRAWING IS UNPUBLISHED.

RELEASED FOR PUBLICATION

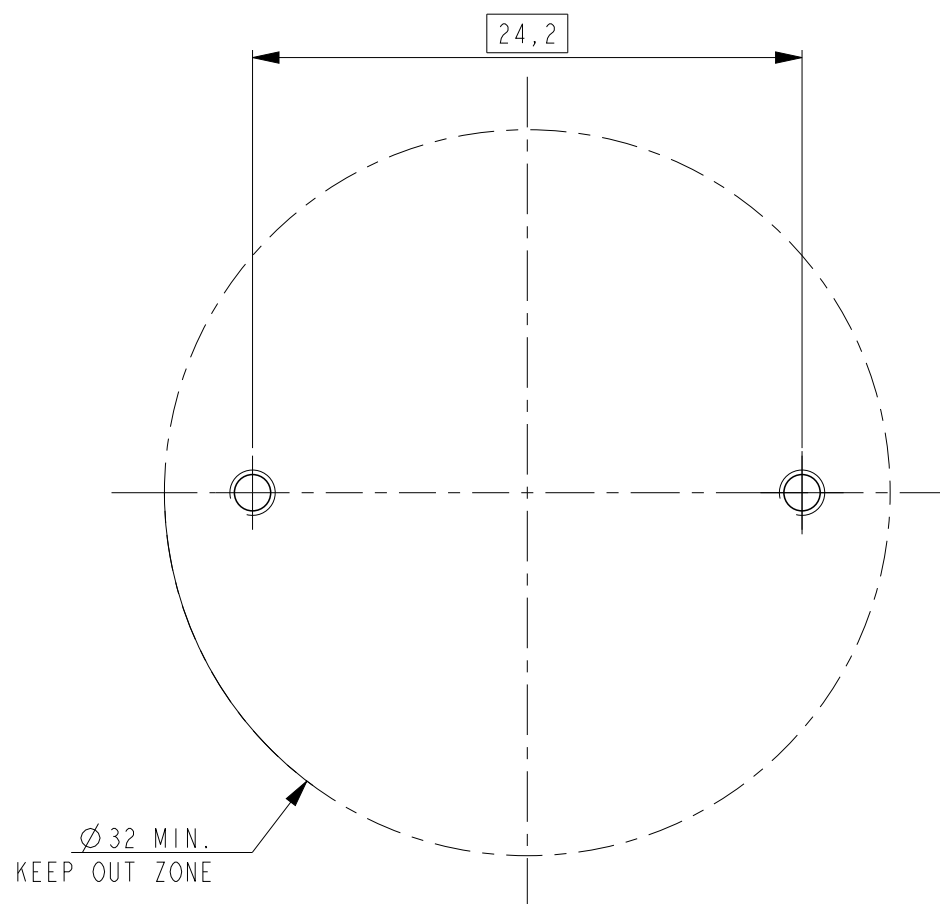
© COPYRIGHT - BY TYCO ELECTRONICS CORPORATION. ALL RIGHTS RESERVED.

LOC H DIST -

REVISIONS

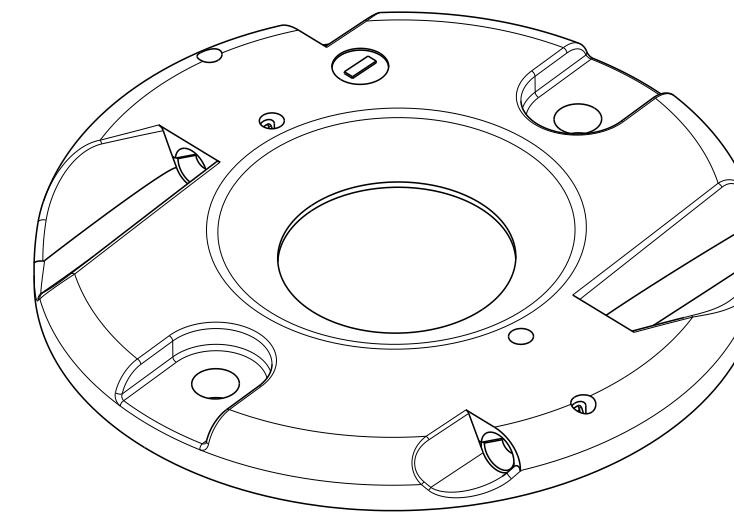
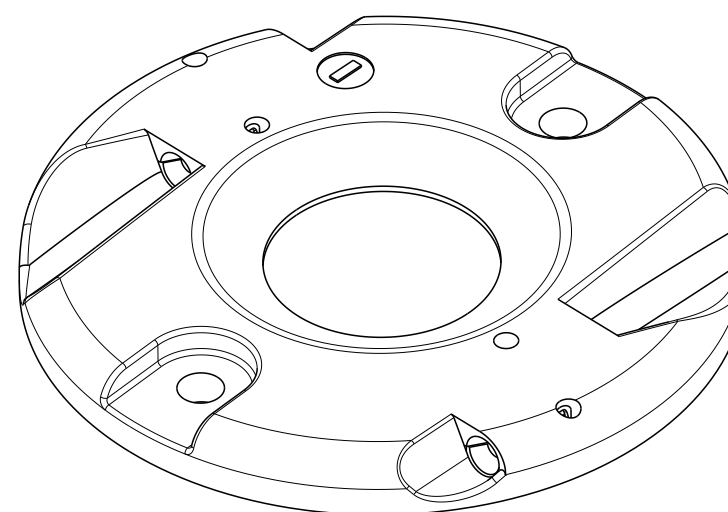
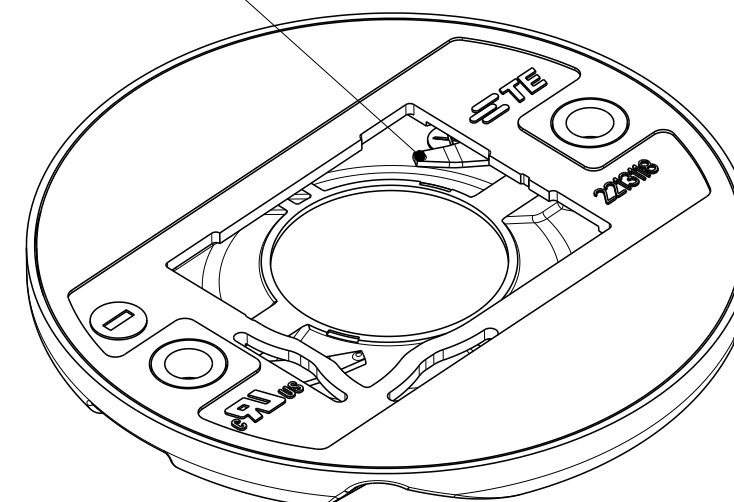
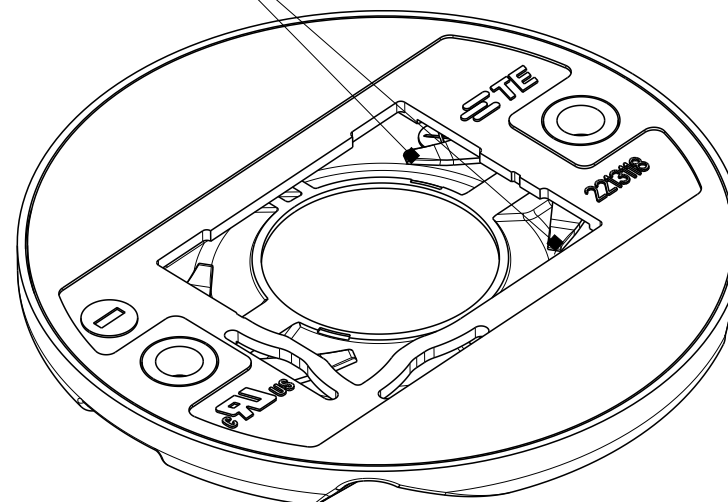
P	LTR	DESCRIPTION	DATE	DWN	APVD
	-	SEE SHEET 1	-	-	-

RECOMMENDED DRILLING HOLE PATTERN



P/N 2213118-1
2 paralel contacts

P/N 2213118-2
single contact



RELEASED LEDs		
NAME	TYPE	TE PART NUMBER
LUMILEDS	1215	2213118-2
SHARP	MINI ZENIGATA	2213118-1

THIS DRAWING IS A CONTROLLED DOCUMENT.		DWN P. POORTER 19JUL2012	STE TE Connectivity
DIMENSIONS: mm		CHK O. LEIJNSE 19JUL2012	
TOLERANCES UNLESS OTHERWISE SPECIFIED:		APVD O. LEIJNSE 19JUL2012	
<ul style="list-style-type: none"> 0 PLC ±- 1 PLC ±- 2 PLC ±- 3 PLC ±- 4 PLC ±- ANGLES ±- FINISH - 		PRODUCT SPEC 108-133006	
MATERIAL -		APPLICATION SPEC 114-32045	NAME LUMAWISE LED HOLDER Z32 LOW PROFILE 1215
		WEIGHT -	SIZE A3 CAGE CODE 00779 DRAWING NO C-2213118 RESTRICTED TO -
Customer Drawing			SCALE 3:1 SHEET 2 OF 2 REV D2