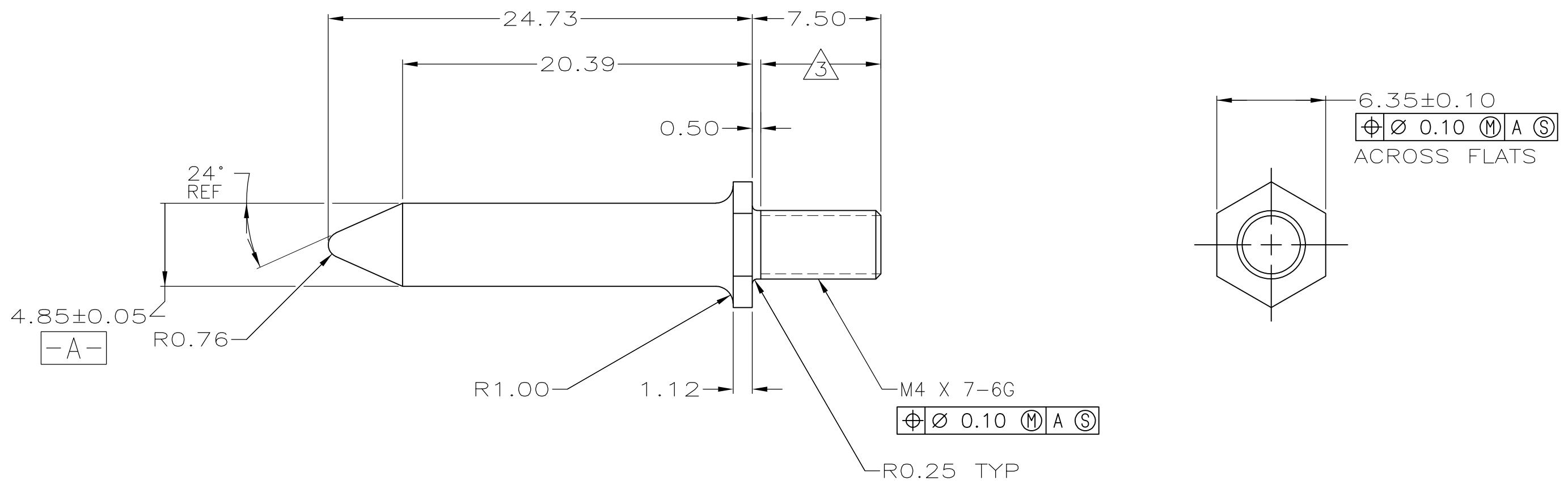


THIS DRAWING IS UNPUBLISHED. RELEASED FOR PUBLICATION ,19 .
 © COPYRIGHT 19 BY AMP INCORPORATED. ALL RIGHTS RESERVED.

LOC	DIST	REVISIONS			
P	LTR	DESCRIPTION	DATE	DWN	APVD
AD	47	C1	REVISE PER ECR-15-012700	28AUG2015	ML SZ

- ① MATERIAL: STAINLESS STEEL.
- ② FINISH: PASSIVATE.
- ③ LOCTITE DRI-LOC 204 APPLIED IN THIS AREA.
- 4. RECOMMENDED P.C. BOARD DRILLED HOLE DIAMETER IS 4.10±0.08mm IF APPLYING A NUT FROM THE REAR OF THE BOARD. IF USING WITH PEM NUT P/N KFS2-M4, DRILLED HOLE DIAMETER SHOULD BE 6.4±0.08mm.



③ ②	①	223982-1
FINISH	MATERIAL	PART NUMBER

THIS DRAWING IS A CONTROLLED DOCUMENT.		DWN T.SHUEY 11-19-98	AMP AMP Incorporated	
DIMENSIONS: mm		CHK R.PATTERSON 12-4-98	Harrisburg, PA 17105-3608	
TOLERANCES UNLESS OTHERWISE SPECIFIED:		APVD R.PATTERSON 12-4-98	NAME	
0 PLC ±-		PRODUCT SPEC	GUIDE PIN, UNIVERSAL POWER MODULE	
1 PLC ±-		APPLICATION SPEC	SIZE CAGE CODE DRAWING NO RESTRICTED TO	
2 PLC ±0.13		WEIGHT -	A3 00779 C- 223982 -	
3 PLC ±-		CUSTOMER DRAWING	SCALE 4:1	SHEET 1 OF 1 REV C1
4 PLC ±-				
ANGLES ±2'				
MATERIAL SEE TABLE				
FINISH SEE TABLE				