

4

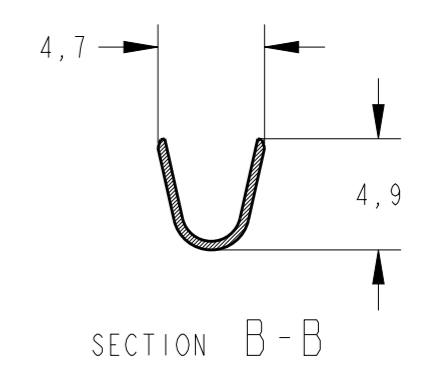
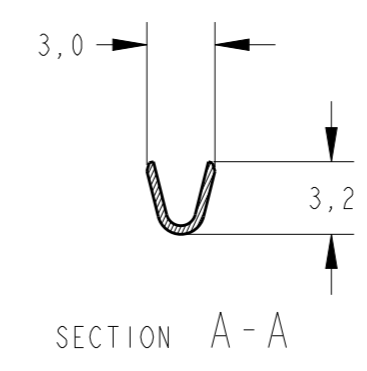
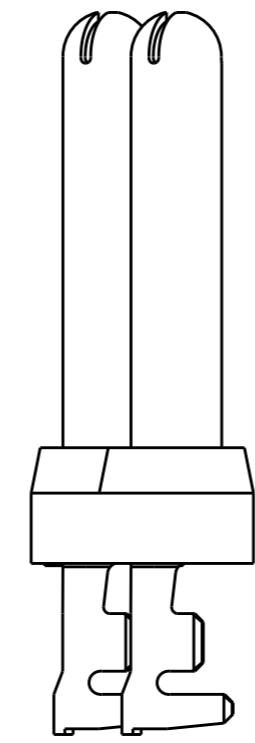
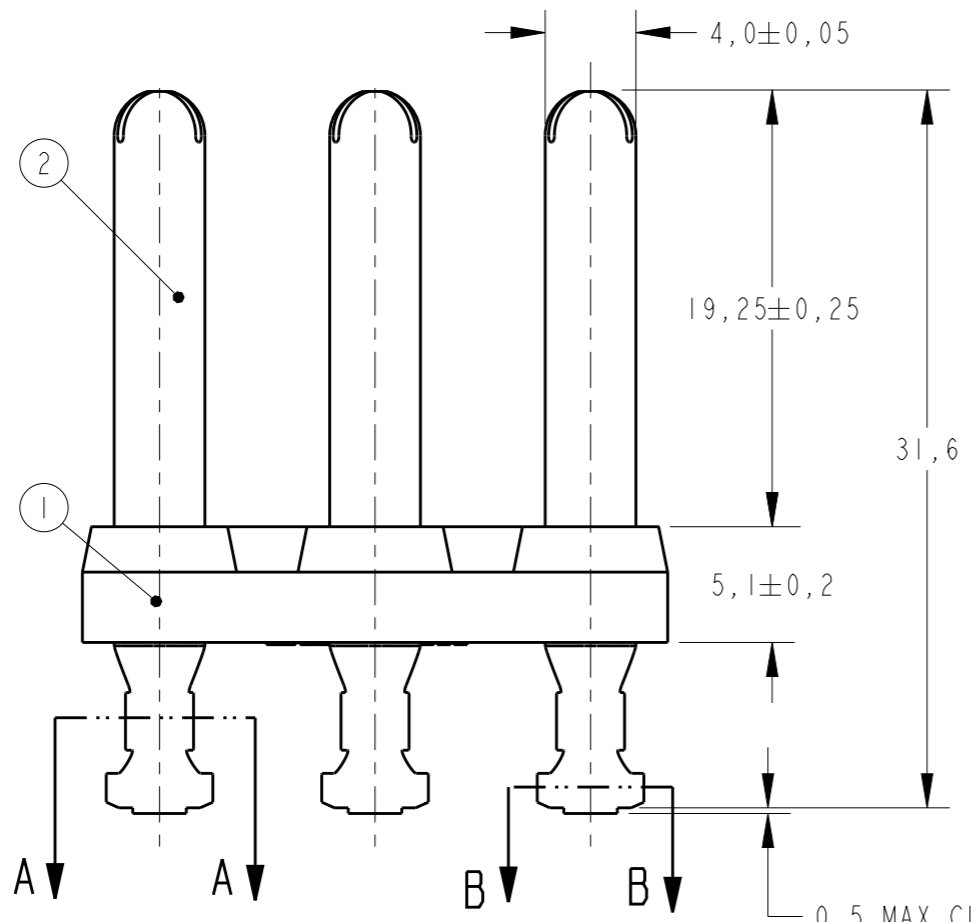
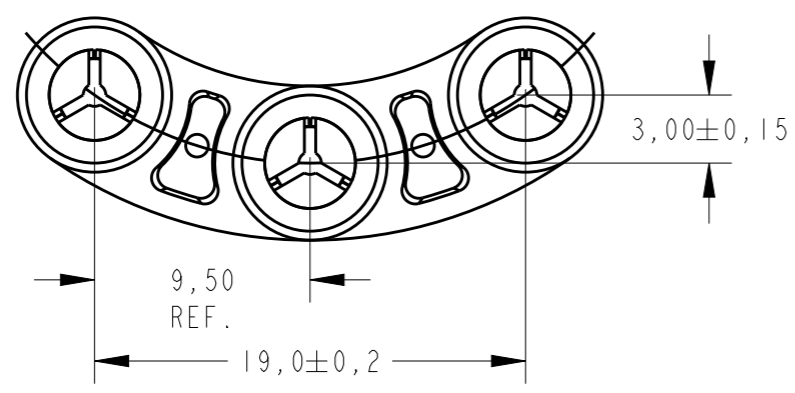
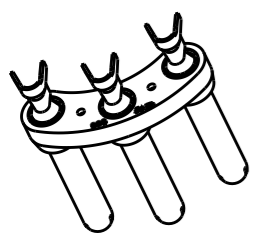
3

2

1

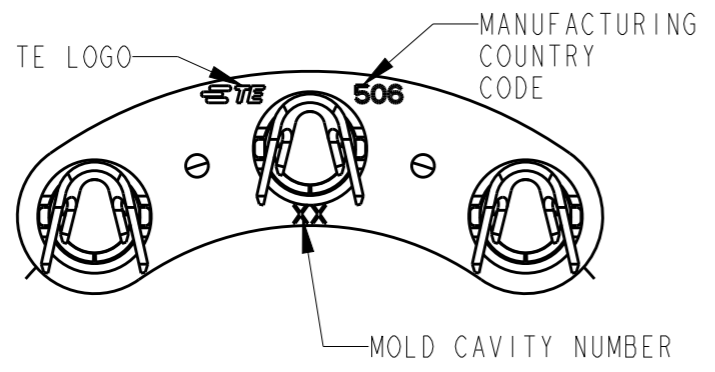
THIS DRAWING IS UNPUBLISHED. RELEASED FOR PUBLICATION 20  
 © COPYRIGHT 20 BY - ALL RIGHTS RESERVED.

LOC	DIST	REVISIONS				
P	LTR	DESCRIPTION	DATE	DWN	APVD	
AP	-	A	REV. ECO 14-018354	09DEC2014	HC	WLS
		B	REV. ECO 15-002812	24FEB2015	HC	WLS



1-TERMINAL WIRE RANGE - 0,5/1,5mm<sup>2</sup>  
 INSULATION RANGE - Ø2,0/3,0mm.

0,5 MAX CUT OFF BURR PERMITTED



NICKEL PLATED	BRASS	WALL PLUG PIN	2	2819039-1
BLACK	PBT 30% GF	3 POS. WALL PLUG SPACER	1	
FINISH	MATERIAL	DESCRIPTION	ITEM NUMBER	PART NUMBER

THIS DRAWING IS A CONTROLLED DOCUMENT.

DWN	H. CANTERI	13MAY2014	 TE Connectivity	NAME 3 POS. WALL PLUG ASSEMBLY
CHK	W.L. STEFANI	13MAY2014		
APVD	-	-		
DIMENSIONS: mm			PRODUCT SPEC	SIZE A3
TOLERANCES UNLESS OTHERWISE SPECIFIED: 0 PLC ± - 1 PLC ± 0,3 2 PLC ± 0,2 3 PLC ± - 4 PLC ± - ANGLES ± °			APPLICATION SPEC	
MATERIAL	-	FINISH	WEIGHT	DRAWING NO 2819039
Customer Drawing			SCALE	RESTRICTED TO -
			3:1	SHEET 1 OF 1 REV B