

# SWITCH HEAVY-DUTY TOGGLE

SP (Single Pole) switches to change one line.

**It's good for most 1/2" Hole panel mount applications that are under 20 Amps at 125 Vac**

**FEATURES:**

- Ratings: 20A @ 125 Vac, 10A @ 277 Vac, 3/4 H.P. (125 - 250)Vac
- For 0.500" Dia. Hole
- 15/32" - 32 THD Bushing, with Keyway
- Metal Bat Handle
- 1 Hex Nut and 1 Knurl Nut
- Six # 6-32 Screw Terminals
- Operating Temperature: (32 to 149)°F (0 to 65)°C
- Dielectric Strength: 1500 Vac 1 minute
- Contact Resistance: 50 Milliohms max.
- Insulation Resistance: 100 Megohms (min.) 500 Vdc



**PART No: 35-110**

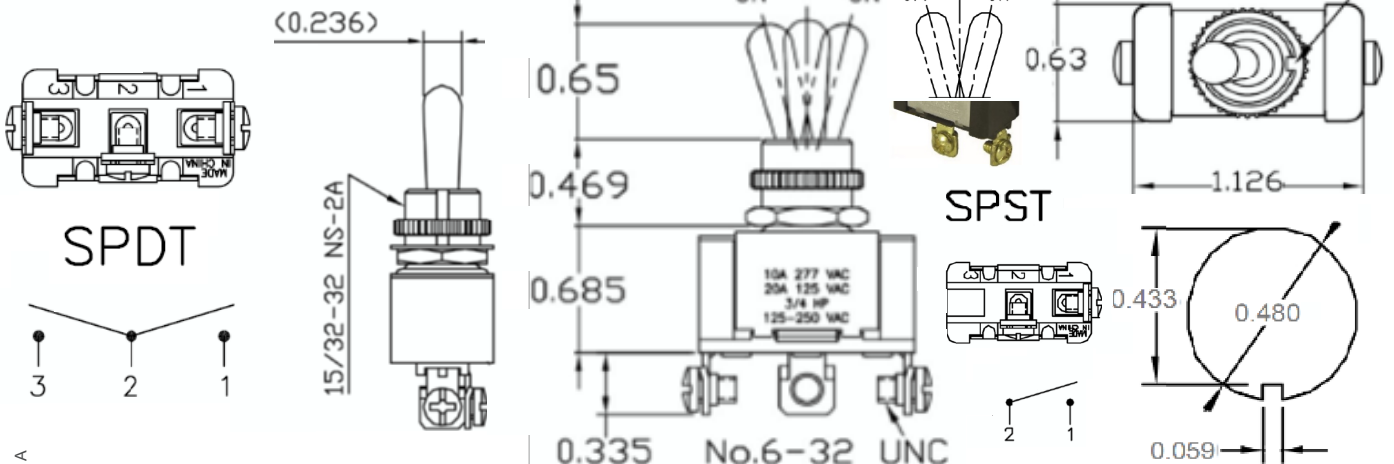
**Product Availability:**

PART No.	DESCRIPTION	FUNCTION	UPC:
35-110	Toggle Switch SPDT	On - Off - On	010151541123
35-110-BU	Toggle Switch SPDT Bulk (10 pc)	On - Off - On	010151541116
35-130	Toggle Switch SPDT	On - On	010151541260
35-153	Toggle Switch SPDT	On - Off - (On)	010151541581
35-155	Toggle Switch SPDT	(On) - Off - (On)	010151541628
35-080	Toggle Switch SPST ON/OFF FACE PLATE	On - Off	010151540980

( ) = Momentary



HTS: 8536.50.9065  
CoO: China



REV. A