

Features

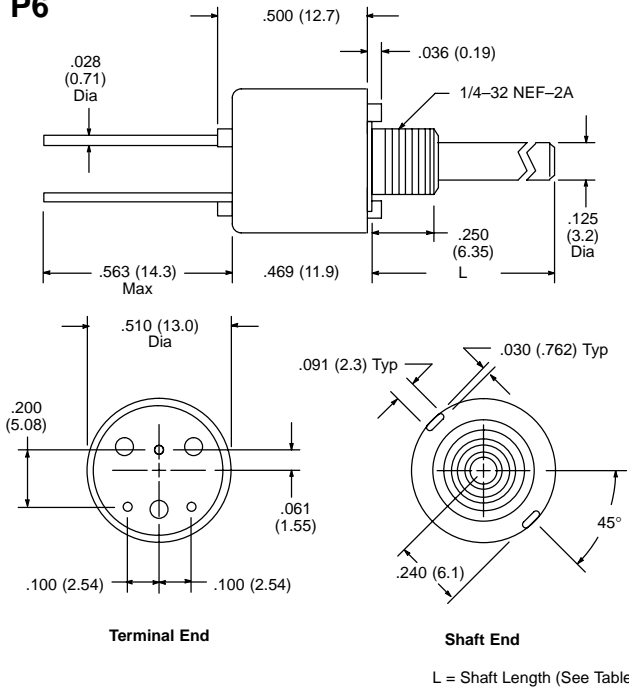
- Hot molded carbon element
- Board washable
- Stainless steel shaft
- Compact size
- Meets or exceeds specifications of MIL-R-94 — QPL Listed



PEC SPRU/RV8NAY Series

Potentiometer – 1/2 Watt, 1/8" dia. shaft

P6



NEW

PEC No.	NTE Part No.	Military No.	Value (Ohms)	Shaft Length	Diag No.
SPRU1011S28	501-0120	RV8NAYSD101A	100	7/8"	P6
SPRU2511S28	501-0133	RV8NAYSD251A	250	7/8"	P6
SPRU5011S28	501-0121	RV8NAYSD501A	500	7/8"	P6
SPRU1021S28	501-0122	RV8NAYSD102A	1K	7/8"	P6
SPRU2521S28	501-0123	RV8NAYSD252A	2.5K	7/8"	P6
SPRU5021S28	501-0124	RV8NAYSD502A	5K	7/8"	P6
SPRU1031S28	501-0125	RV8NAYSD103A	10K	7/8"	P6
SPRU2531S28	501-0126	RV8NAYSD253A	25K	7/8"	P6
SPRU5031S28	501-0127	RV8NAYSD503A	50K	7/8"	P6
SPRU1041S28	501-0128	RV8NAYSD104A	100K	7/8"	P6
SPRU2541S28	501-0129	RV8NAYSD254A	250K	7/8"	P6
SPRU5041S28	501-0130	RV8NAYSD504A	500K	7/8"	P6
SPRU1051S28	501-0131	RV8NAYSD105A	1M	7/8"	P6
SPRU2551S28	501-0132	RV8NAYSD255A	2.5M	7/8"	P6

Specifications

Electrical

- Resistance Range – Linear Taper:** 100Ω to 2.5 Meg Ω
- Resistance Tolerance:** ±10%
- Power Rating:** 1/2 Watt @ 70°C derated to 0 Watts @ 120°C
- Insulation Resistance:** 10K Meg Ω (Dry)
100K Meg Ω (Wet)

- Dielectric Strength:** 750V RMS at sea level
- Operating Voltage:** 350V subject to power rating

Mechanical

- Mechanical Rotation:** 295°
- Operating Torque:** 0.5 oz/in to 6 oz/in
- Rotation Life:** 25,000 cycles

Environmental

- Operating Temperature:** -65°C to +125°C
- Resistance to Soldering Heat:** 350°C for 5 seconds
- Load Life:** 1000 hr. at 70°C