

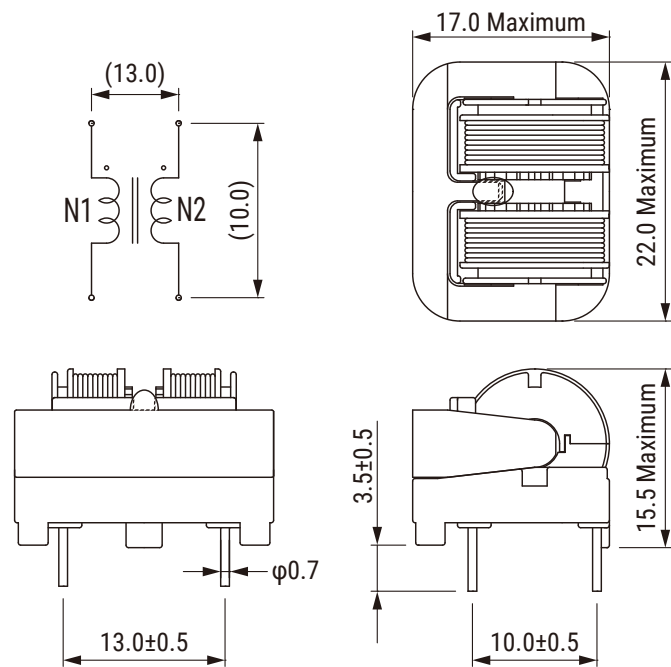
# Common Mode & Dual Mode Chokes Coils, 0.9 – 2.1 A Medium Current Kit

## Sample Kit Contents

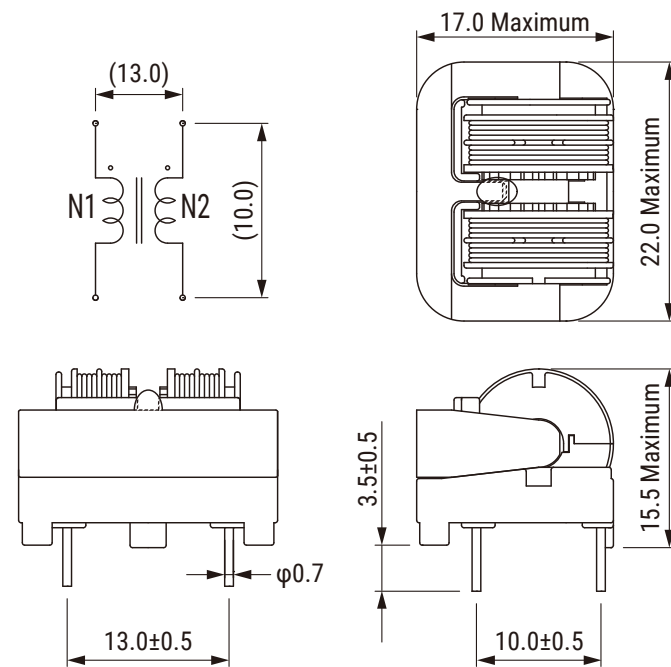
KEMET Part Number	Rated Voltage (VAC)	Rated Current (A)	Inductance (mH) at 10 kHz Minimum	DC Resistance/Line (Ω) Maximum	Temperature Range	Quantity	Description
SSHB10HS-10051	250	1.00	5.10	0.430	-25/+130°C	1	SSHB10HS, Dual Mode
SSHB10H-10064	250	1.00	6.40	0.480	-25/+130°C	1	SSHB10H, Dual Mode
SSRH7HS-M10084	250	1.00	8.40	0.320	-25/+120°C	1	SSRH7HS-M, Common Mode
SSRH7H-M10108	250	1.00	10.80	0.360	-25/+120°C	1	SSRH7H-M, Common Mode
SSHB10HS-R10122	250	1.00	12.20	0.430	-25/+120°C	1	SSHB10HS, Dual Mode
SSR10VS-10135	250	1.00	13.50	0.430	-25/+120°C	1	SSR10VS/HS, Common Mode
SSHB10H-R10151	250	1.00	15.10	0.480	-25/+120°C	1	SSHB10H, Dual Mode
SSR10V-10170	250	1.00	17.00	0.480	-25/+120°C	1	SSR10V/H, Common Mode
SSR21NVS-M10345	250	1.00	34.50	0.510	-25/+120°C	1	SSR21NVS-M/NHS-M, Common Mode
SSR21NV-M10475	250	1.00	47.50	0.580	-25/+120°C	1	SSR21NV-M/NH-M, Common Mode
SSHB10HS-11043	250	1.10	4.30	0.350	-25/+130°C	1	SSHB10HS, Dual Mode
SSHB10H-11054	250	1.10	5.40	0.390	-25/+130°C	1	SSHB10H, Dual Mode
SSRH7HS-M11064	250	1.10	6.40	0.240	-25/+120°C	1	SSRH7HS-M, Common Mode
SSRH7H-M11081	250	1.10	8.10	0.270	-25/+120°C	1	SSRH7H-M, Common Mode
SSHB10HS-R11100	250	1.10	10.00	0.350	-25/+120°C	1	SSHB10HS, Dual Mode
SSR10VS-11110	250	1.10	11.00	0.330	-25/+120°C	1	SSR10VS/HS, Common Mode
SSHB10H-R11128	250	1.10	12.80	0.390	-25/+120°C	1	SSHB10H, Dual Mode
SSR10V-11140	250	1.10	14.00	0.370	-25/+120°C	1	SSR10V/H, Common Mode
SSR21NVS-M12220	250	1.20	22.00	0.350	-25/+120°C	1	SSR21NVS-M/NHS-M, Common Mode
SSR21NV-M12345	250	1.20	34.50	0.430	-25/+120°C	1	SSR21NV-M/NH-M, Common Mode
SSRH24NVS-12500	250	1.20	50.00	0.430	-25/+120°C	1	SSRH24NVS/NHS, Common Mode
SSRH24NV-12655	250	1.20	65.50	0.475	-25/+120°C	1	SSRH24NV/NH, Common Mode
SSHB10HS-13030	250	1.30	3.00	0.250	-25/+130°C	1	SSHB10HS, Dual Mode
SSHB10H-13037	250	1.30	3.70	0.280	-25/+130°C	1	SSHB10H, Dual Mode
SSRH7HS-M13046	250	1.30	4.60	0.180	-25/+120°C	1	SSRH7HS-M, Common Mode
SSRH7H-M13064	250	1.30	6.40	0.210	-25/+120°C	1	SSRH7H-M, Common Mode
SSHB10HS-R13071	250	1.30	7.10	0.250	-25/+120°C	1	SSHB10HS, Dual Mode
SSR10VS-13075	250	1.30	7.50	0.240	-25/+120°C	1	SSR10VS/HS, Common Mode
SSHB10H-R13088	250	1.30	8.80	0.280	-25/+120°C	1	SSHB10H, Dual Mode
SSR10V-13097	250	1.30	9.70	0.270	-25/+120°C	1	SSR10V/H, Common Mode
SSRH7HS-M15036	250	1.50	3.60	0.130	-25/+120°C	1	SSRH7HS-M, Common Mode
SSRH7H-M15043	250	1.50	4.30	0.140	-25/+120°C	1	SSRH7H-M, Common Mode
SSR21NVS-M15164	250	1.50	16.40	0.230	-25/+120°C	1	SSR21NVS-M/NHS-M, Common Mode
SSR21NV-M15220	250	1.50	22.00	0.260	-25/+120°C	1	SSR21NV-M/NH-M, Common Mode
SSRH24NVS-16320	250	1.60	32.00	0.265	-25/+120°C	1	SSRH24NVS/NHS, Common Mode
SSRH24NV-16470	250	1.60	47.00	0.327	-25/+120°C	1	SSRH24NV/NH, Common Mode
SSHB10HS-17019	250	1.70	1.90	0.170	-25/+130°C	1	SSHB10HS, Dual Mode
SSHB10H-17023	250	1.70	2.30	0.190	-25/+130°C	1	SSHB10H, Dual Mode
SSRH7HS-M17023	250	1.70	2.30	0.100	-25/+120°C	1	SSRH7HS-M, Common Mode
SSRH7H-M17029	250	1.70	2.90	0.120	-25/+120°C	1	SSRH7H-M, Common Mode
SSHB10HS-R17046	250	1.70	4.60	0.170	-25/+120°C	1	SSHB10HS, Dual Mode
SSR10VS-17048	250	1.70	4.80	0.170	-25/+120°C	1	SSR10VS/HS, Common Mode
SSHB10H-R17055	250	1.70	5.50	0.190	-25/+120°C	1	SSHB10H, Dual Mode
SSR10V-17058	250	1.70	5.80	0.180	-25/+120°C	1	SSR10V/H, Common Mode
SSR21NVS-M18125	250	1.80	12.50	0.190	-25/+120°C	1	SSR21NVS-M/NHS-M, Common Mode
SSR21NV-M18164	250	1.80	16.40	0.210	-25/+120°C	1	SSR21NV-M/NH-M, Common Mode
SSRH7HS-M20013	250	2.00	1.30	0.080	-25/+120°C	1	SSRH7HS-M, Common Mode
SSRH7H-M20016	250	2.00	1.60	0.090	-25/+120°C	1	SSRH7H-M, Common Mode
SSR21NVS-M20103	250	2.00	10.30	0.150	-25/+120°C	1	SSR21NVS-M/NHS-M, Common Mode
SSR21NV-M20125	250	2.00	12.50	0.160	-25/+120°C	1	SSR21NV-M/NH-M, Common Mode
SSRH24NVS-20215	250	2.00	21.50	0.177	-25/+120°C	1	SSRH24NVS/NHS, Common Mode
SSRH24NV-20310	250	2.00	31.00	0.214	-25/+120°C	1	SSRH24NV/NH, Common Mode
KEMET Part Number	Rated Voltage (VAC)	Rated Current (A)	Inductance (mH) at 10 kHz Minimum	DC Resistance/Line (Ω) Maximum	Temperature Range	Quantity	Description

## Dimensions – Millimeters (Inches)

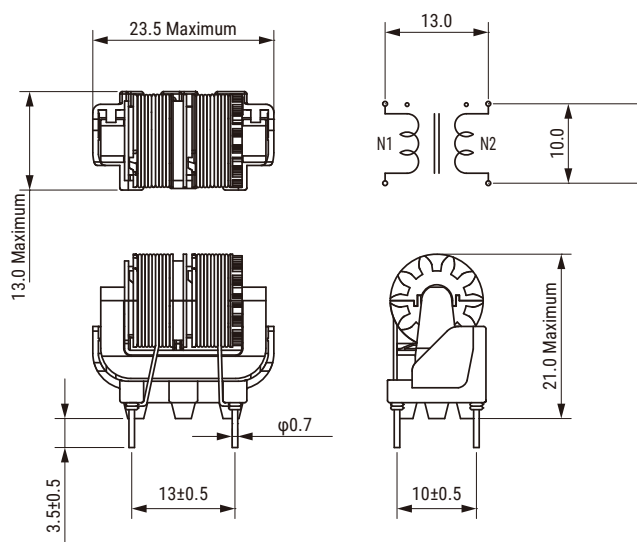
SSHB10H



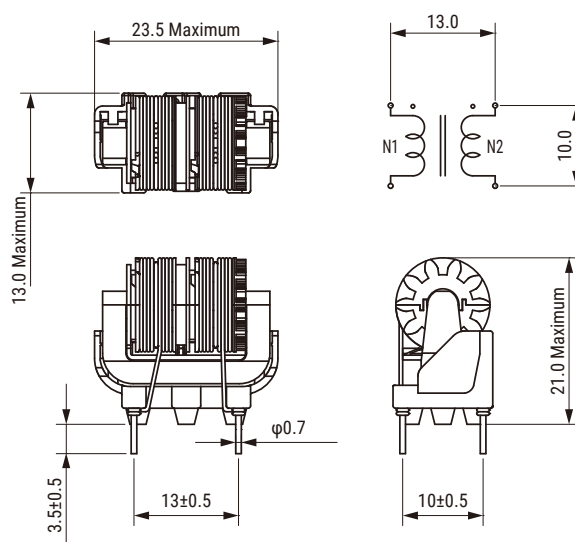
SSHB10HS



SSR10V

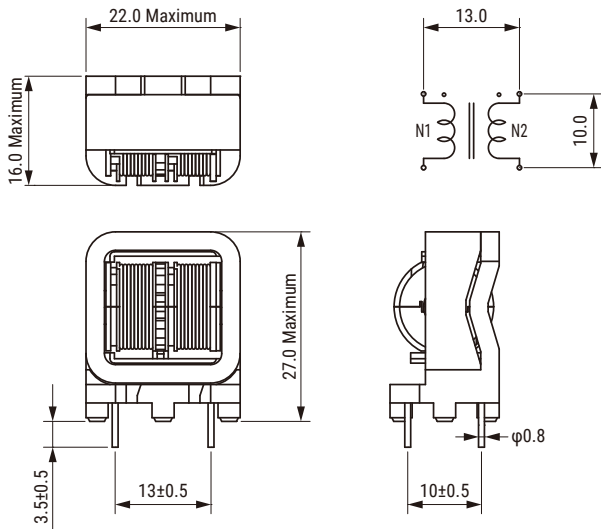


SSR10VS

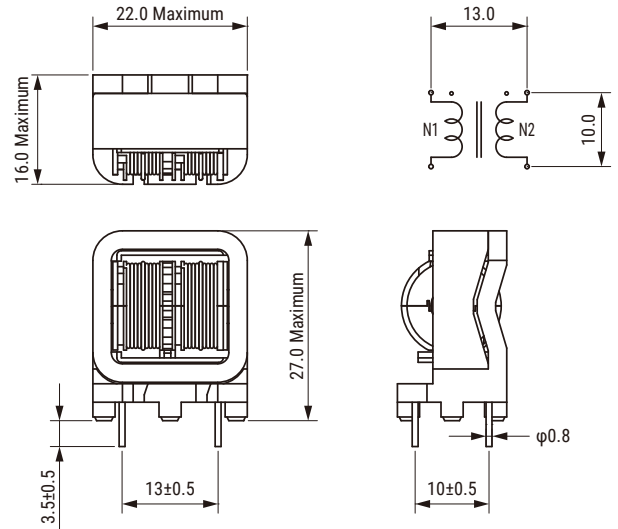


## Dimensions – Millimeters (Inches) cont.

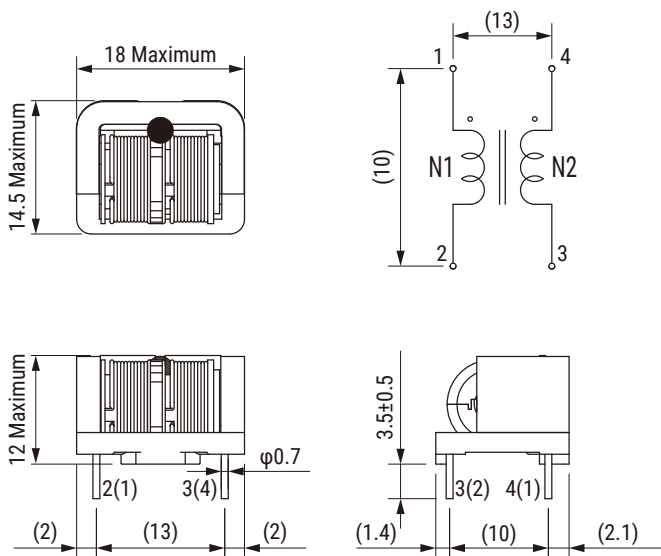
### SSR21NV-M



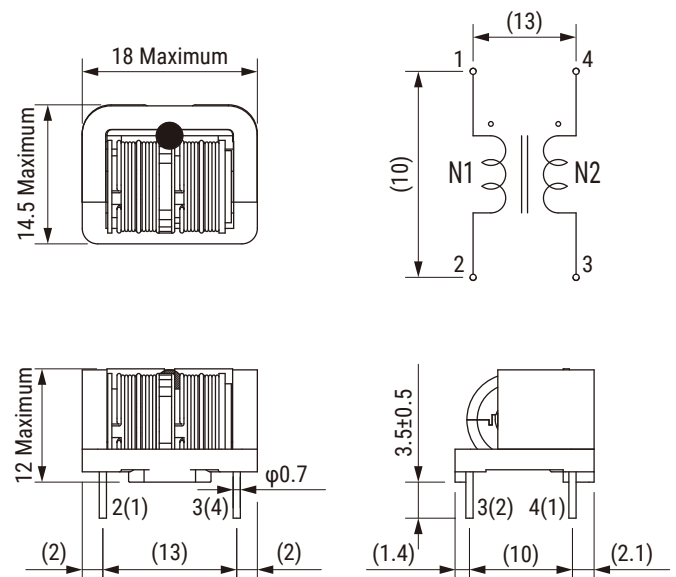
### SSR21NVS-M



### SSRH7H-M



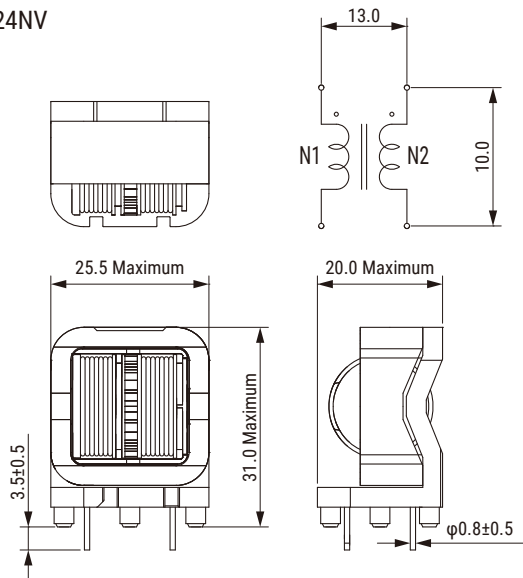
### SSRH7HS-M



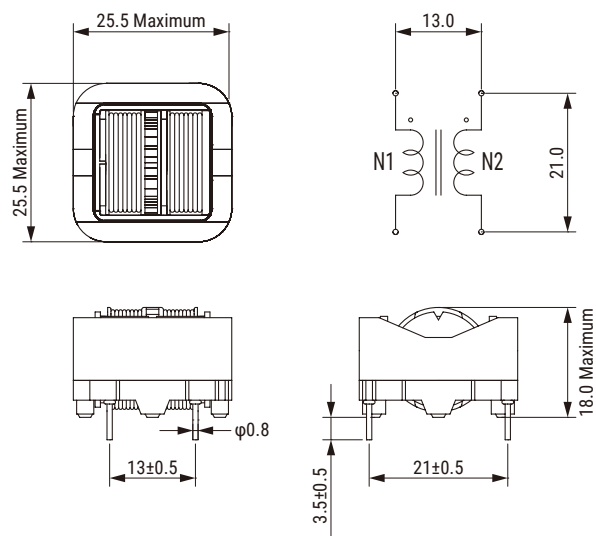
## Dimensions – Millimeters (Inches) cont.

### SSRH24NV/NH

● SSRH24NV

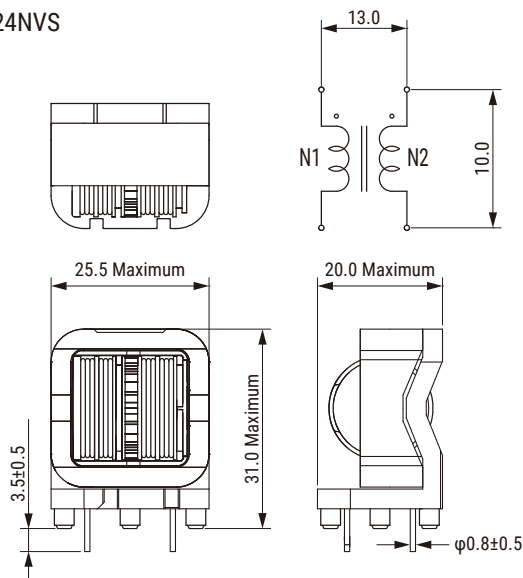


● SSRH24NH



### SSRH24NVS/NHS

● SSRH24NVS



● SSRH24NHS

