



285 MHz Bandpass Filter

Part Number: AE258B9875



Electrical Specifications

Center Frequency: 258 MHz
Bandwidth: 27.5 MHz
Passband: 243-270.5 MHz
Insertion Loss: 2.0 dB Max
Return Loss: 14 dB Min
Rejection: >50 dB @ 0-200 MHz
>45 dB @ 320-1100 MHz

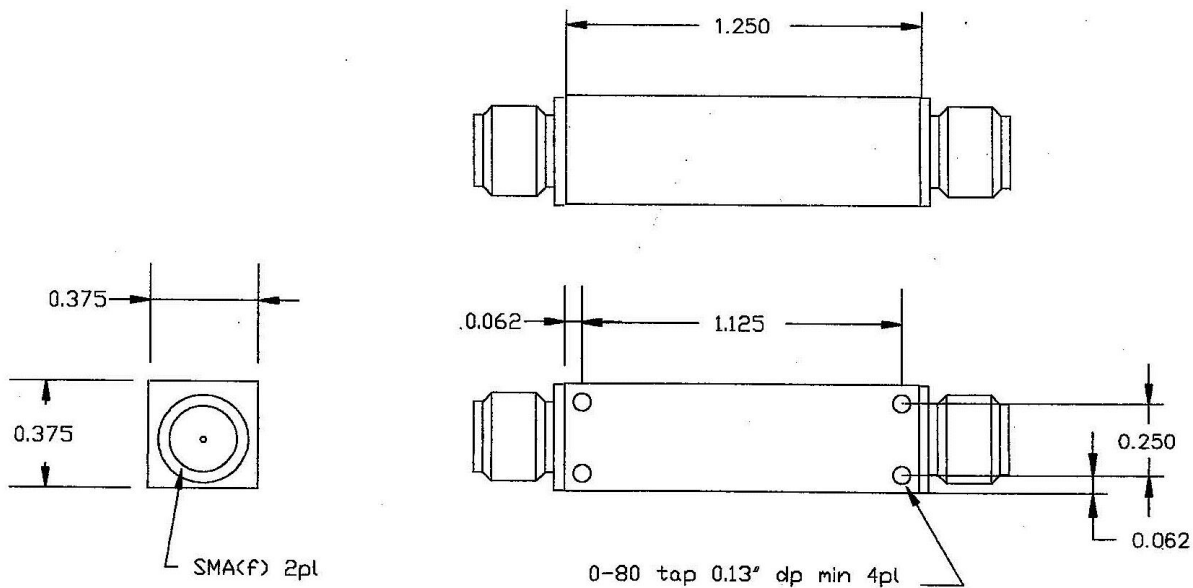
Mechanical

Connector Type: SMA (F)
Dimensions: 1.25 x 0.375 x 0.375 Inches

Environmental

Operating Temperature: -30 to +75° C
Storage Temperature: -40 to +85° C

Outline Drawing:





285 MHz Bandpass Filter

Part Number: AE258B9875



Response Plot:

