

PROPRIETARY INFORMATION:

PROPRIETARY OF GLOBTEK, INC. ANY REPRODUCTION, DISCLOSURE OR USE OF THIS DRAWING, IN WHOLE OR IN PART, IS HEREBY PROHIBITED EXCEPT AS SPECIFIED IN WRITING BY GLOBTEK, INC.

REVISION HISTORY

REV	DESCRIPTION	SALES	RFS	DATE	APPROVED
A	INITIAL RELEASE	BS	22240	1/6/2012	HM
B	UPDATE PIN OUTS, NOMINAL VOLTAGE AND SPEC FORMAT	MS	24673	5/22/2013	HM
C	UPDATE FUEL GAUGE P/N FROM BQ20Z70 TO BQ27210+BQ29330+AO4407	MS	25340	12/16/2013	HM

The purchaser of this product (Customer) agrees that it is their sole responsibility to determine the suitability of the products described for their purpose and to take precaution against any hazards attendant to the handling and use of the products. Products sold are not returnable. GlobTek, Inc. will produce or provide its products to its published specifications. The purchaser of this product (Customer) shall be solely responsible for determining the product's fitness for use in its applications.

Customer Approval of Specification:

Please approve, sign and send back to GlobTek so we can complete order processing.

A delay in receipt of this form will delay delivery schedule.

Company Name:

Customer P/N:

Quote Number:

Date:

Authorized Representative Name:

Authorized Representative Signature:


Foot Note:

Globtek Inc. will not be liable for the safety and performance of these power supplies if unauthorized access and repair occurs. End user should consult applicable UL, CSA or EN standards for proper installation instruction.

Limitation of Use:

Globtek product are not authorized for use as mission critical components in life support hazardous environment, nuclear or aircraft applications without prior written approval from the CEO of Globtek Inc.

Contents of this document are subject to change without prior notice

 **GlobTek, Inc.**

www.globtek.com

186 Veterans Drive, Northvale, NJ 07467

Tel. 201-784-1000 Fax 201-784-0111

Drawing Title: 5S1P Lithium-Ion Battery pack with Built-in

Fuel Gauge and Charger, 5 Cells, 18.5Volts@3100mAh

MODEL NO: NCR18650A

PART NO: BL3100C1865005S1PGQA

REV C

PROPRIETARY INFORMATION:

PROPRIETARY OF GLOBTEK, INC. ANY REPRODUCTION, DISCLOSURE OR USE OF THIS DRAWING, IN WHOLE OR IN PART, IS HEREBY PROHIBITED EXCEPT AS SPECIFIED IN WRITING BY GLOBTEK, INC.

NOTES:

DIMENSIONS ARE IN MM UNLESS SPECIFIED OTHERWISE.



1. ELECTRICAL SPECIFICATIONS:

Rated Capacity	3100	mAh Minimum
Nominal Voltage	18.5	Volts
Watt-Hour Rating	57.35	Watt Hour

2. GENERAL SPECIFICATIONS:

Cell Brand	Panasonic NCR18650A	
Cell Size	18x65	
Cell Configuration	5S1P	
Thermistor (NTC) Inside Pack	N/A	
Maximum Discharge Current	1C	Amps
Minimum Discharge Voltage	12	Volts
Internal Impedance	320m	Ohms
Protection Module		GlobTek Standard
Pack ID	NONE	
Fuel Gauge IC Used	BQ27210+BQ29330+AO4407	
Fuel Gauge Data Access Method	SMBus	

3. CHARGER SPECIFICATIONS:

Charger Circuit	Built inside the pack	
Charging Method	Constant Current and Constant Voltage	
Charge Termination Method	Minimum Charge Current and Safety Timer as back-up	
Charger Input Voltage	24	Volts
Charger Input Current	1.5	Amps
Charging Rate	1C	Capacity
Charging Time (Approximate)	3	Hours, from completely discharged battery to fully charged
Max. Charging Voltage	21V	

4. Protection

Overcharge Voltage	21.5	
Overdischarge Voltage	13.75	
Overtemperature		Overtemperature circuit built-in inside the protection module

5. AMBIENT CONDITIONS:

Ambient Temperature During Charging	0°C to +40°C
Ambient Temperature During Discharging	-20°C to +60°C
Storage Temperature and Charge Retention	1 Year at -20C to +20C; >80% 3 Months at -20C to +45C; >80% 1 Month at -20C to +60C; >80%
Humidity	65 +/- 20% Relative Humidity

PROPRIETARY INFORMATION:

PROPRIETARY OF GLOBTEK, INC. ANY REPRODUCTION, DISCLOSURE OR USE OF THIS DRAWING, IN WHOLE OR IN PART, IS HEREBY PROHIBITED EXCEPT AS SPECIFIED IN WRITING BY GLOBTEK, INC.

6. REGULATORY APPROVALS

Cells Approved To
Pack Approved To
ROHS

UL1642
TBA
Complies with EU 2002/95/EC and China SJ/T 11363-2006
AND RoHS 2011/65/EU
TBA

Transportation

7. WARRANTY

Warranty

5 years warranty on the battery pack excluding the cells themselves which are covered by the Manufacturer's original warranty at their published warranty period. Please refer to the manufacturer's warranty policy for cells.

 **GlobTek, Inc.**

www.globtek.com

186 Veterans Drive, Northvale, NJ 07467

Tel. 201-784-1000 Fax 201-784-0111

Drawing Title: 5S1P Lithium-Ion Battery pack with Built-in

Fuel Gauge and Charger, 5 Cells, 18.5Volts@3100mAh

MODEL NO: NCR18650A

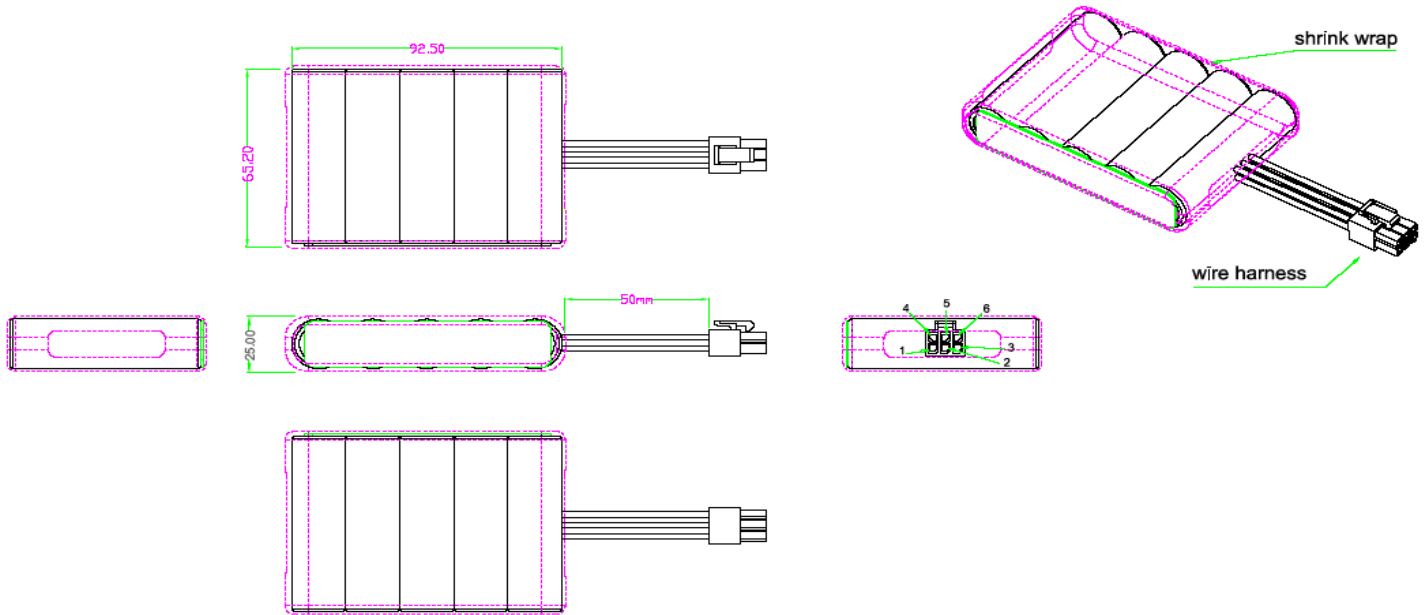
PART NO: BL3100C1865005S1PGQA

REV C

PROPRIETARY INFORMATION:

PROPRIETARY OF GLOBTEK, INC. ANY REPRODUCTION, DISCLOSURE OR USE OF THIS DRAWING, IN WHOLE OR IN PART, IS HEREBY PROHIBITED EXCEPT AS SPECIFIED IN WRITING BY GLOBTEK, INC.

8. MECHANICAL



PIN ASSIGNMENT:	
Pin 1:	BAT+(Red)
Pin 2:	COM(Black)
Pin 3:	SMBC(Yellow)
Pin 4:	COM(Green)
Pin 5:	VBAT+ (RED)
Pin 6:	SMBD(Black)

GlobTek, Inc.
www.globtek.com

186 Veterans Drive, Northvale, NJ 07467
Tel. 201-784-1000 Fax 201-784-0111

Drawing Title: 5S1P Lithium-Ion Battery pack with Built-in
Fuel Gauge and Charger, 5 Cells, 18.5Volts@3100mAh

MODEL NO: NCR18650A

PART NO: BL3100C1865005S1PGQA

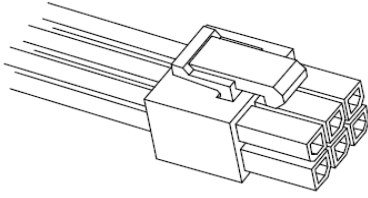
REV C

PROPRIETARY INFORMATION:

PROPRIETARY OF GLOBTEK, INC. ANY REPRODUCTION, DISCLOSURE OR USE OF THIS DRAWING, IN WHOLE OR IN PART, IS HEREBY PROHIBITED EXCEPT AS SPECIFIED IN WRITING BY GLOBTEK, INC.

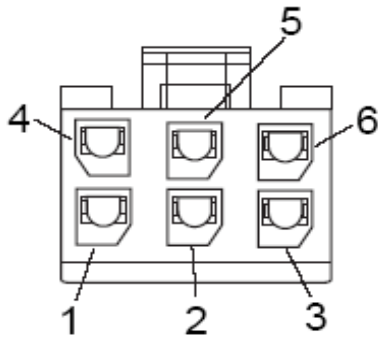
9. OUTPUT CORD AND CONNECTOR:

ACTUAL CONNECTOR'S, OVERMOLDS, FERRITES, MAY VARY SLIGHTLY FROM THE PICTURE BELOW



	Equivalent	Y/N	
Cable Type			UL1007
Cable Length			50 mm
Wire gauge			20 AWG
Connector		Y	Molex 6-pin P/N: 43025-0600
Terminals		Y	Molex P/N: 43030-0001
Pin Assignment and Wire Color			Pin 1: BAT+(Red)
			Pin 2: COM(Black)
			Pin 3: SMBC(Yellow)
			Pin 4: COM(Green)
			Pin 5: VBAT+ (Red)
			Pin 6: SMBD(Black)
Other requirements			N/A

FRONY VIEW

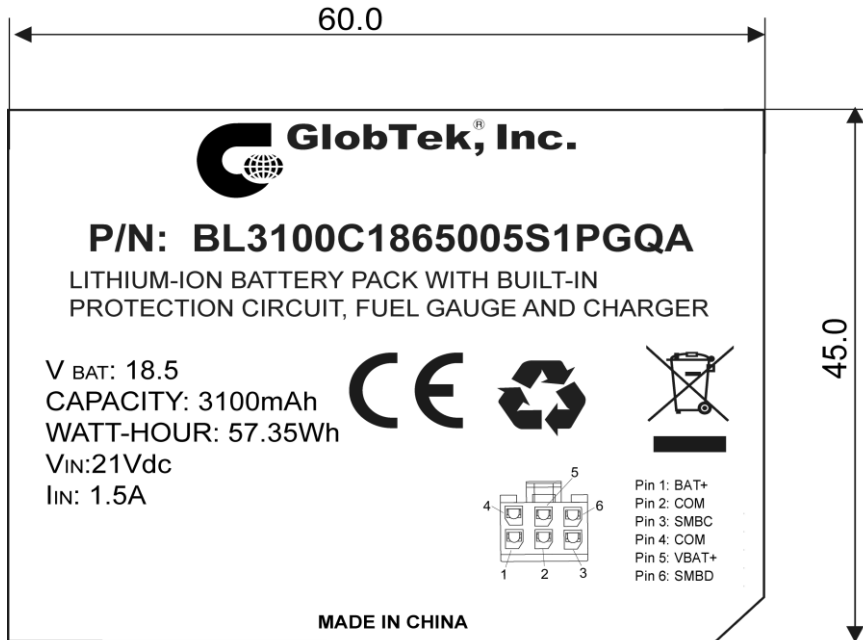


PROPRIETARY INFORMATION:

PROPRIETARY OF GLOBTEK, INC. ANY REPRODUCTION, DISCLOSURE OR USE OF THIS DRAWING, IN WHOLE OR IN PART, IS HEREBY PROHIBITED EXCEPT AS SPECIFIED IN WRITING BY GLOBTEK, INC.

10. LABEL:

MATERIAL: FLAT THERMAL TRANSFER, IMPRINTABLE, POLYESTER SHEET
BACKGROUND COLOR: WHITE OR SILVER
TEXT COLOR: BLACK
LABEL WIDTH: (mm) 60.0 mm
LABEL HEIGHT: (mm) 45.0 mm



CAUTION:

1. MAY EXPLODE IF DISPOSED OF IN FIRE.
2. USE SPECIFIED POWER SUPPLY ONLY.
3. DO NOT SHORT CURCUIT.

GlobTek, Inc.
www.globtek.com

186 Veterans Drive, Northvale, NJ 07467
Tel. 201-784-1000 Fax 201-784-0111

Drawing Title: 5S1P Lithium-Ion Battery pack with Built-in
Fuel Gauge and Charger, 5 Cells, 18.5Volts@3100mAh

MODEL NO: NCR18650A

PART NO: BL3100C1865005S1PGQA

REV C

PROPRIETARY INFORMATION:

PROPRIETARY OF GLOBTEK, INC. ANY REPRODUCTION, DISCLOSURE OR USE OF THIS DRAWING, IN WHOLE OR IN PART, IS HEREBY PROHIBITED EXCEPT AS SPECIFIED IN WRITING BY GLOBTEK, INC.

11. PACKING

PE BAG SIZE	TBD
CARTON SIZE:	TBD
QUANTITY PER CARTON:	TBD
G.W.	TBD

