

6

5

4

3

2

1

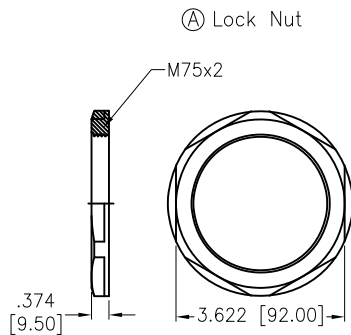
APPROVED: _____

DATE: _____ TITLE: _____

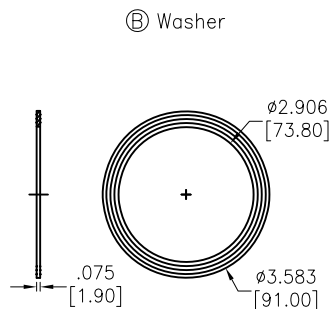
Rev	AWO #	Description	Date	Appr
-		RELEASED	11/1/22	
A		UPDATED SPEC.	11/30/22	JJ/RC

D

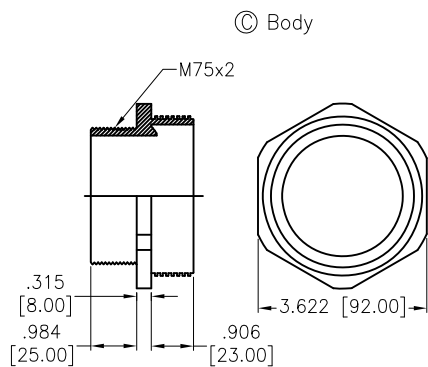
D



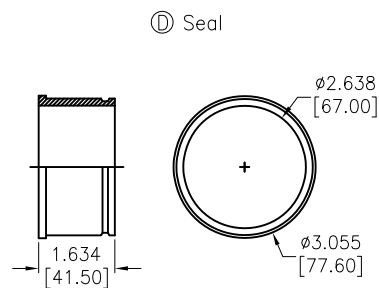
Ⓐ Lock Nut



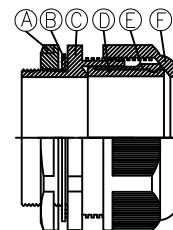
Ⓑ Washer



Ⓒ Body



Ⓓ Seal

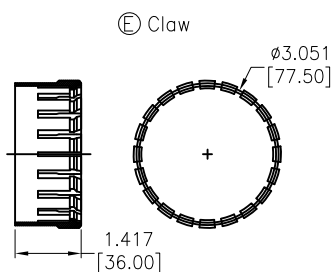


C

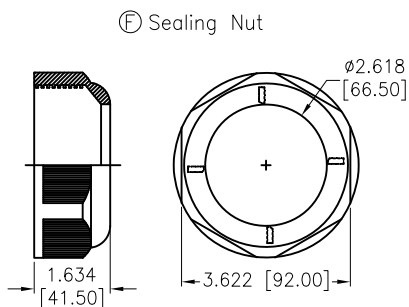
C

B

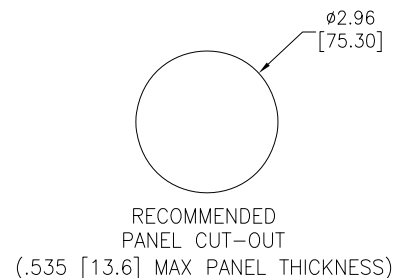
B



Ⓔ Claw



Ⓕ Sealing Nut



SPECIFICATIONS:

- Material:
- Lock Nut: PA66, rated UL 94V-2
- Body: PA66, rated UL 94V-2
- Sealing Nut: PA66, rated UL 94V-2
- Claw: PA66, rated UL 94V-2
- Washer: NBR
- Seal: NBR
- Mechanical:
- Cable Range (O.D.): 56-66mm
- Thread O.D. L2: 75mm
- Thread Length L2: 25mm
- Spanner Size A&E: 92/92mm
- Nut Torque: 5Nm Max.
- Environmental:
- Waterproof: IP68
- Lead free, RoHS compliant.



UNLESS OTHERWISE SPECIFIED ALL DIMENSIONS ARE INCHES [MM]. TOLERANCES: EXCEPT AS NOTED		
INCHES	HOLES	
.X ± .10	∅X ± .10	
.XX ± .020	∅XX ± .015	
.XXX ± .015	∅XXX ± .010	
DRAWN	WX	11/1/22
CHECKED	RC	11/1/22
APPROVED		
THIS DRAWING CONTAINS INFORMATION THAT IS PROPRIETARY AND SHOULD NOT BE USED WITHOUT PRIOR WRITTEN PERMISSION FROM ADAM TECH		

ADAM TECH 909 Rahway Avenue, Union, NJ 07083
 Phone: 908-687-5000 Fax: 908-687-5710

TITLE: WATERPROOF CONNECTOR, M75, 1 HOLE, CABLE GLAND, WATERPROOF: IP68

SIZE: X PART NO.: CG-P-M75-2.0 REV.: A

REF: S00211C SCALE: NTS SHEET 1 OF 1

A

A

6

5

4

3

2

1