

TINA-M

~30° medium beam optimized for Nichia NS6x83.
Assembly with holder and installation tape.

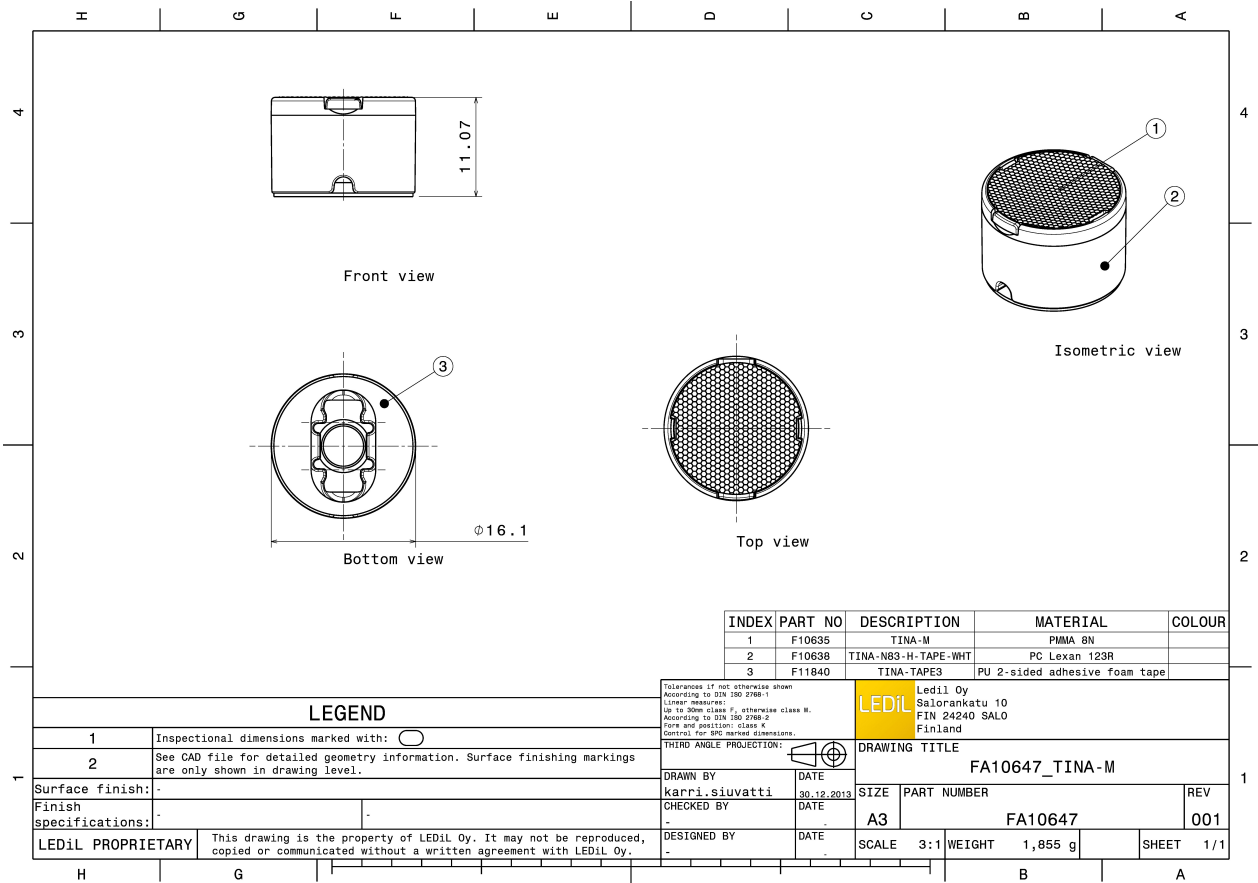
TECHNICAL SPECIFICATIONS:

Dimensions	Ø 16.1 mm
Height	11.1 mm
Fastening	tape
Colour	white
Box size	
Box weight	6 kg
Quantity in Box	2016 pcs
ROHS compliant	yes ⓘ



MATERIAL SPECIFICATIONS:

Component	Type	Material	Colour
TINA-N83-M	Single lens	PMMA	clear
TINA-N83-H-TAPE-WHT	Holder	PC	white
TINA-TAPE3	Tape	PU tape	black



INDEX	PART NO	DESCRIPTION	MATERIAL	COLOUR
1	F10635	TINA-M	PMMA 8N	
2	F10638	TINA-NB3-H-TAPE-WHT	PC Lexan 123R	
3	F11840	TINA-TAPE3	PU 2-sided adhesive foam tape	

LEGEND

1	Inspectional dimensions marked with:
2	See CAD file for detailed geometry information. Surface finishing markings are only shown in drawing level.

Surface finish:	-
Finish specifications:	-

LEDiL PROPRIETARY This drawing is the property of LEDiL Oy. It may not be reproduced, copied or communicated without a written agreement with LEDiL Oy.

Tolerances if not otherwise shown
According to DIN ISO 2768-1
Linear measures:
Up to 30mm class F, otherwise class M.
According to DIN ISO 2768-2
Form and position: class K
Control for SPC marked dimensions.

THIRD ANGLE PROJECTION:



LEDiL Ledil Oy
Salorankatu 10
FIN 24240 SALO
Finland

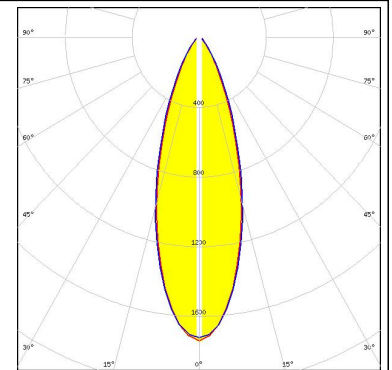
DRAWING TITLE
FA10647_TINA-M

DRAWN BY	DATE	SIZE	PART NUMBER	REV
kari.siuvatti	30.12.2013	A3	FA10647	001
CHECKED BY	DATE	SCALE	3:1	WEIGHT
-	-	1,855 g	SHEET	1/1
DESIGNED BY	DATE			
-	-			

PHOTOMETRIC DATA (MEASURED):

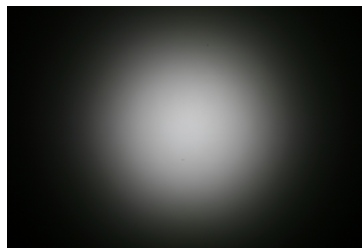
CREE 

LED MX-6
FWHM 33.0°
Efficiency 87 %
Peak intensity 2.120 cd/lm
LEDs/each optic 1
Light colour White
Required components:



NICHIA 

LED NS6x83
FWHM 32.0°
Efficiency 87 %
Peak intensity 2.200 cd/lm
LEDs/each optic 1
Light colour White
Required components:



GENERAL INFORMATION:

NOTE: The typical beam angle will be changed by different color, chip size and chip position tolerance. The typical total beam angle is the full angle measured where the luminous intensity is half of the peak value.

MATERIALS:

As part of our continuous research and improvement processes, and to ensure the best possible quality and availability of our products, LEDiL reserves the right to change material grades without notice.

PRODUCT DATA USER AGREEMENT AND DISCLAIMER:

The measured data in the provided downloadable LEDiL Product Datasheets and Mechanical 2D-Drawings is rounded and provided as reference for planning. LEDiL Oy's optical specifications have been verified by conducting performance testing of the products in accordance with the company's quality system. The reported data are averaged results of multiple measurements with typical variation. LEDiL Oy reserves the right to without prior notification make changes and improvements to its products.

LEDiL Oy assumes neither warranty, nor guarantee nor any other liability of any kind for the contents and correctness of the provided data. The provided data has been generated with highest diligence but the provided data may in reality not represent the complete possible variation range of all intrinsic parameters. Therefore, in certain cases a deviation from the provided data could occur.

LEDiL Oy reserves the right to undertake technical changes of its products without further notification which could lead to changes in the provided data. LEDiL Oy assumes no liability of any kind for the possible deviation from any provided data or any other damage resulting from the usage of the provided data.

The user agrees to this disclaimer and user agreement with the download or usage of the provided files.

LEDiL Oy

Joensuunkatu 13
FI-24240 SALO
Finland

LEDiL Inc.

228 West Page Street
Suite D
Sycamore IL 60178
USA

Local sales and technical support

[www.ledil.com/
where_to_buy](http://www.ledil.com/where_to_buy)

Shipping locations

Salo, Finland
Hong Kong, China

Distribution Partners

[www.ledil.com/
where_to_buy](http://www.ledil.com/where_to_buy)