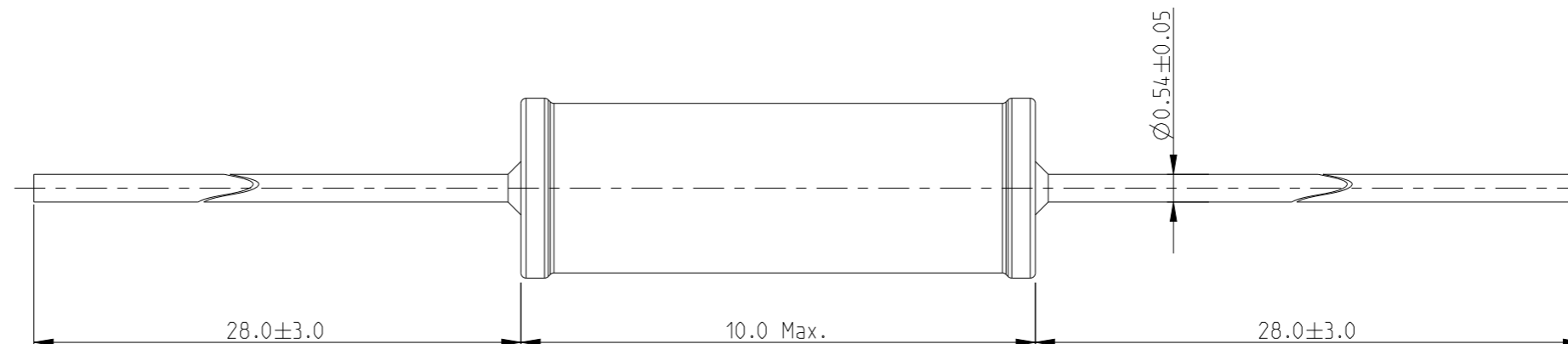
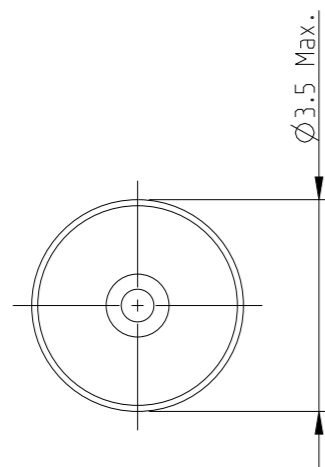


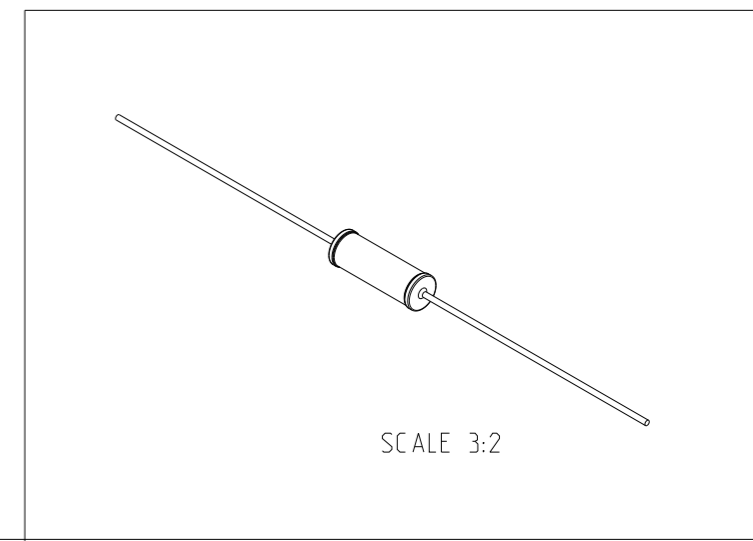
REVISIONS


| P | LTR | DESCRIPTION | DATE | DWN | APVD |
|---|-----|-----------------------------|-----------|-----|------|
| | BA | NEW RELEASE | 23-MAR-10 | MRS | St.P |
| | BB | CLARIFICATION OF DIMENSIONS | 18JAN2023 | DM | AP |
| | | | | | |
| | | | | | |

FOR FURTHER INFORMATION SEE DATA SHEET FOR SERIES LR, METAL FILM FIXED RESISTORS



RoHS Compliant



| | | | | | | | | |
|---|--|-------------------|-----------|---|-------|-----------|------------|---------------|
| THIS DRAWING IS A CONTROLLED DOCUMENT. | | DWN MAHARUDRA | 23-MAR-10 |  TE Connectivity NAME METAL FILM FIXED RESISTORS SERIES LR2 | | | | |
| DIMENSIONS: mm | | CHK ALLAN.P | 23-MAR-10 | | | | | |
| TOLERANCES UNLESS OTHERWISE SPECIFIED: | | APVD STEPHEN.P | 23-MAR-10 | | | | | |
| 0 PLC ±0.2 1 PLC ±0.1 2 PLC ± 3 PLC ± 4 PLC ± ANGLES ±5° | | PRODUCT SPEC | | SIZE | | | | |
| MATERIAL | | FINISH | | APPLICATION SPEC | | CAGE CODE | DRAWING NO | RESTRICTED TO |
| - | | - | | - | | A3 00779 | C=1622692 | - |
| CUSTOMER DRAWING | | | | SCALE | SHEET | OF | REV | |
| | | | | 8:1 | 1 | 1 | BB | |