

**1A SYNCHRONOUS BUCK SWITCHER WITH FET ON BOARD**

Production Datasheet

Pb Free Product
**DESCRIPTION**

The NX4108-18 is a current mode PWM buck switcher with internal compensation and fixed 1.8V output voltage, can provide up to 1A output current with FET on board. It operates from 2.8V to 5.5V which is ideal for the application with single cell Li-Ion battery as well as other 3.3V input bus supply applications. Switching frequency is fixed 1MHz, small surface mount inductors and capacitors are allowed to use, make it good for portable applications.

NX4108-18 is available in 5-pin SOT23 package.

- 2.8 to 5.5V Input Voltage
- Fixed 1.8V Output Voltage
- 5-pin SOT23 Package
- 1MHz Fixed Frequency PWM Operation
- Internally-compensated Current Mode Controller
- Peak Current Limit with HICCUP Feature and Over Temperature Protection
- Prebias Start-up Operation
- Pb-free and RoHS Compliant

**FEATURES**
**APPLICATIONS**

- Li-Ion Battery Operated Portable System
- Cellular Phones
- Portable Applications
- USB Devices

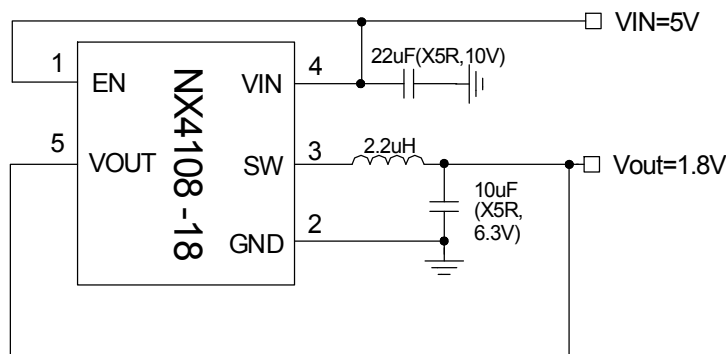
**TYPICAL APPLICATION**


Figure1 - Typical application of NX4108-18

**ORDERING INFORMATION**

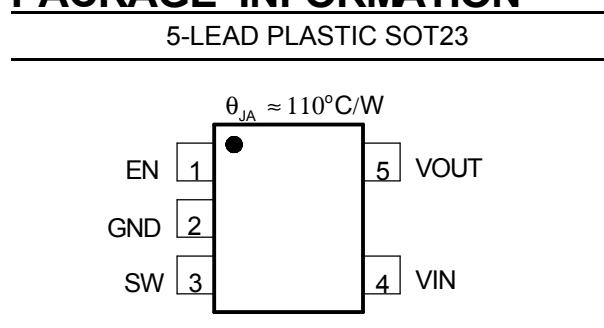
Device	Temperature	Package	Pb-Free
NX4108-18CZ1TR	-40°C to 85°C	SOT23-5L	Yes

## ABSOLUTE MAXIMUM RATINGS

VIN to GND .....	-0.3V to 6V
SW,VOUT,EN to GND .....	-0.3V to VIN + 0.3V
ESD Susceptibility .....	500V
Lead Temperature(Soldering,10sec.) .....	300°C
Storage Temperature Range .....	-55 °C to 150 °C
Operating Junction Temperature Range .....	-40°C to 150°C

CAUTION: Stresses above those listed in "ABSOLUTE MAXIMUM RATINGS", may cause permanent damage to the device. This is a stress only rating and operation of the device at these or any other conditions above those indicated in the operational sections of this specification is not implied.

## PACKAGE INFORMATION



## ELECTRICAL SPECIFICATIONS

$V_{IN}=3.5\text{V}, T_A=25^{\circ}\text{C}$ , unless otherwise specified.

PARAMETER	SYM	Test Condition	Min	TYP	MAX	Units
<b>V<sub>OUT</sub> Voltage</b>						
V <sub>OUT</sub> Voltage	V <sub>OUT</sub>		1.77	1.8	1.822	V
<b>Line Regulation</b>						
Line Regulation		VIN=2.8V to 5.5V, I <sub>OUT</sub> =10mA		3		mV
<b>VIN UVLO</b>						
VIN Rising Threshold			2.3	2.5	2.8	V
VIN Falling Threshold				2.3		V
<b>Supply Voltage(VIN)</b>						
VIN Input Voltage Range	V <sub>IN</sub>		2.8		5.5	V
Shutdown Current	I <sub>shutdown</sub>	EN=GND		1	2.5	uA
Quiescent Current	I <sub>q</sub>	No Load, switching		8.5		mA
<b>Oscillator (Rt)</b>						
Frequency	F <sub>s</sub>		849	1000	1185	kHz
Max Duty Cycle				85		%
Min ON Time				100		nS
<b>SS</b>						
Soft Start Time	T <sub>ss</sub>			500		uS
<b>Current Limit</b>						
Current Limit Threshold				1.8		A

PARAMETER	SYM	Test Condition	Min	TYP	MAX	Units
<b>Current Limit</b>						
Current Limit Threshold				1.8		A
<b>Thermal Shutdown</b>						
Thermal shutdown trip point				155		°C
Hysteresis				15		°C
<b>Internal Switch</b>						
Rdson of Control FET		VIN=5V		400		mohm
		VIN=3.3V		480		
Rdson of Synchronous FET		VIN=5V		300		mohm
		VIN=3.3V		360		
<b>Enable</b>						
En low Threshold voltage					0.4	V
En high Threshold voltage			1.4			V

## PIN DESCRIPTIONS

PIN SYMBOL	PIN DESCRIPTION
SW	SW output. Junction of the internal high-side and low-side power MOSFETs, and output inductor.
GND	Ground Connection for Chip. Connect GND with large copper areas to the input and output supply returns, and negative terminals of the input and output capacitors.
VOUT	Sense output voltage .
VIN	Supply voltage input for switcher
EN	Enable input. Set this pin to GND or less than 0.4V will shut down the regulator Enable signal can not be high when VIN is low

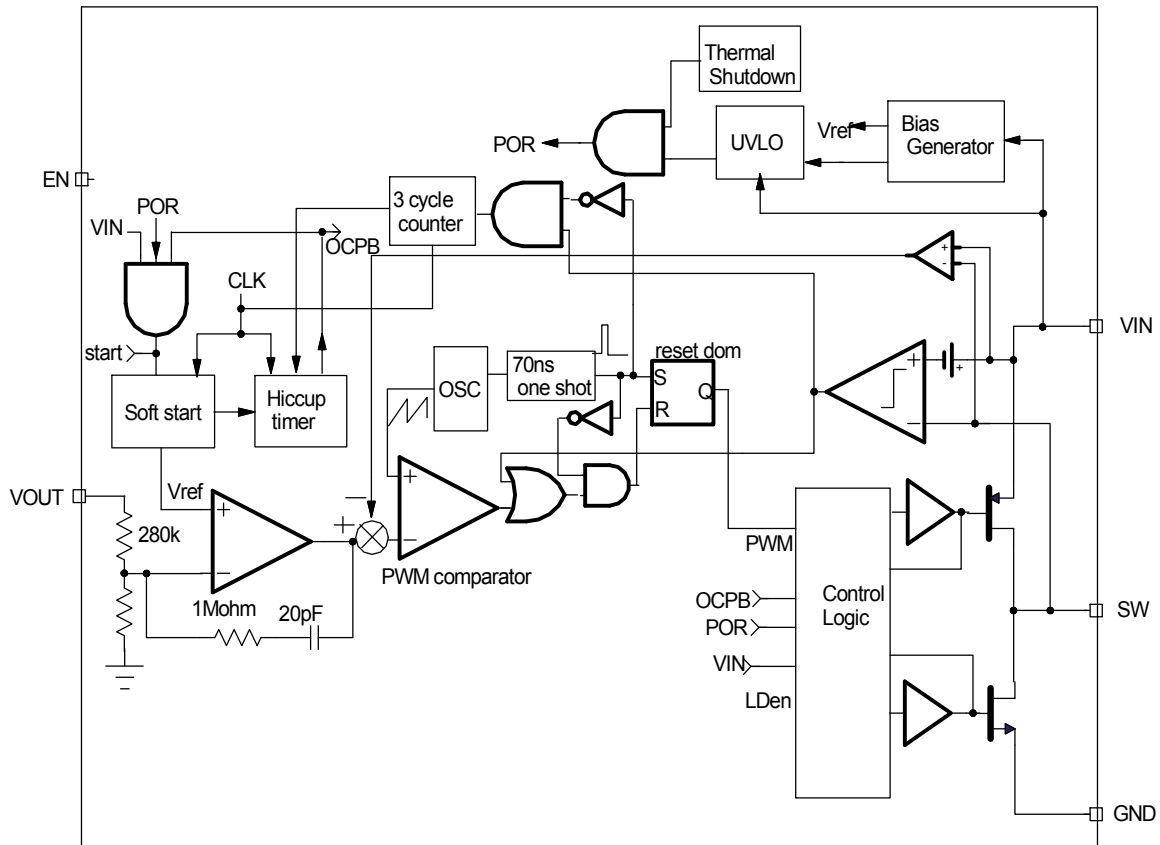
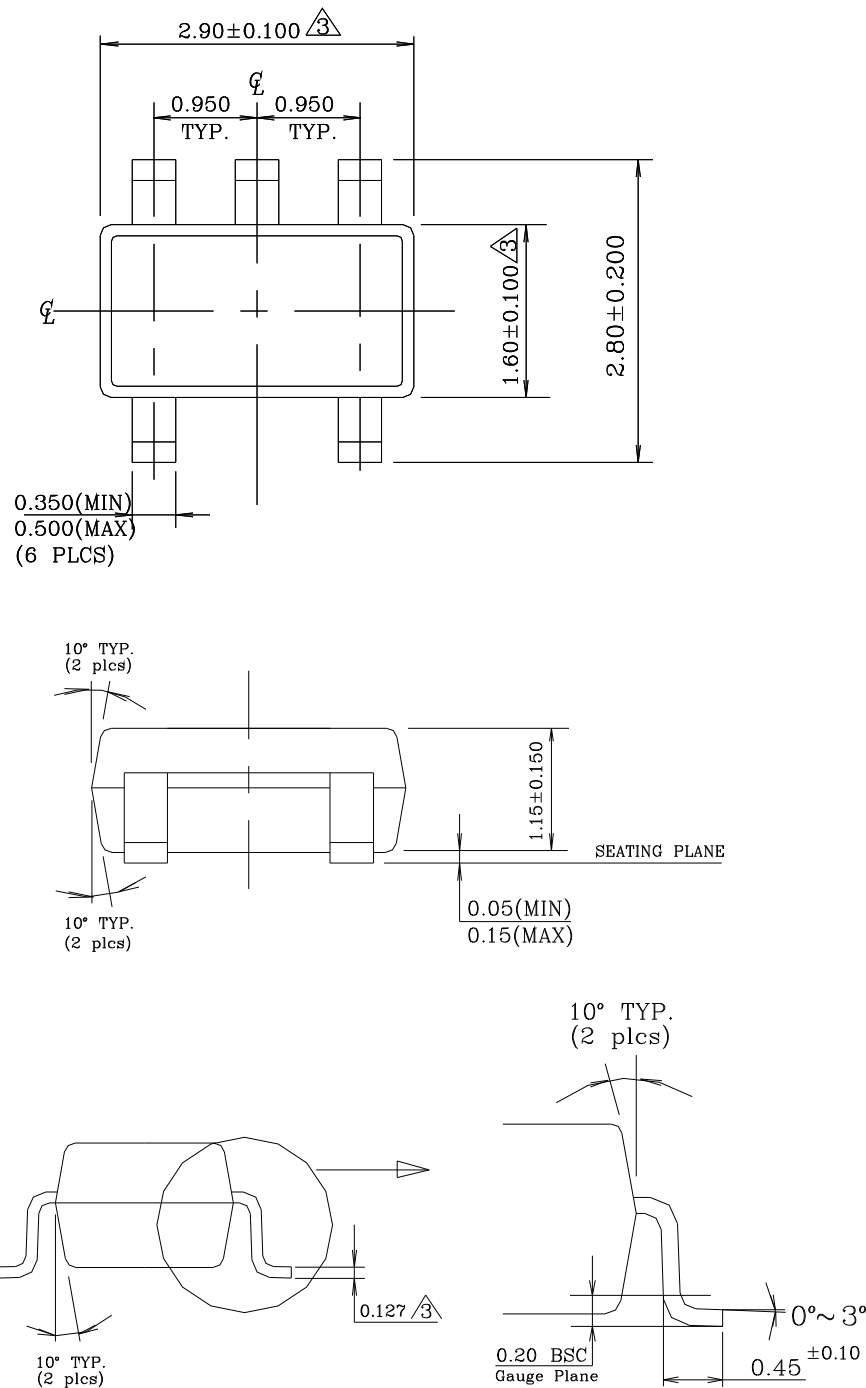
**BLOCK DIAGRAM**


Figure 2 - Simplified block diagram of the NX4108-18

## SOT23-5 Outline Dimensions


**NOTE:**

1. Dimensions and tolerances are as per ANSI Y14.5M, 1982.
2. Package surface to be matte finish VDI 11~13.

$\Delta 3$  Dimensions are exclusive of mold flash and gate burr