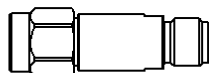
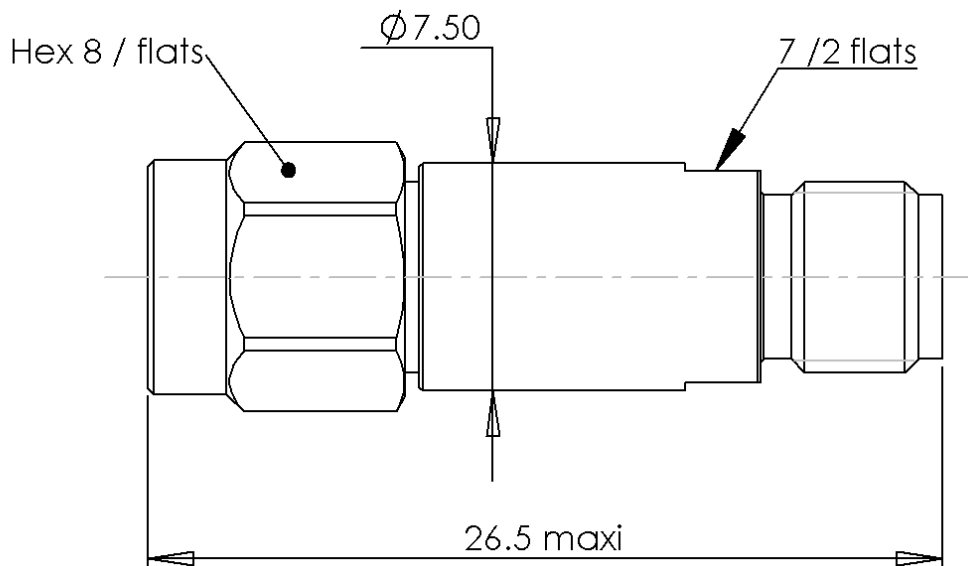
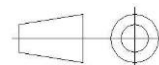
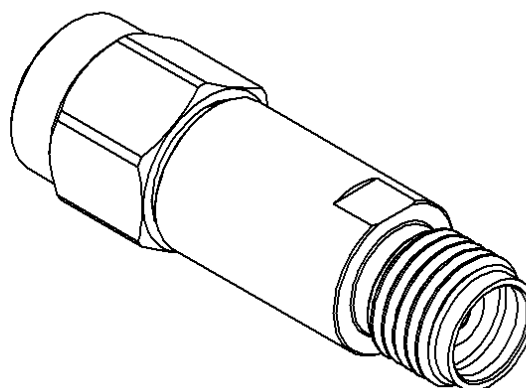


PAGE 1/2	ISSUE 10-12-15A	SERIES ATTENUATOR	PART NUMBER R413306150
----------	-----------------	-----------------------------	-------------------------------



Scale 1:1

All dimensions are in mm.



COMPONENTS	MATERIALS	PLATING (μm)
Body	STAINLESS STEEL	PASSIVATED
Male center contact	BERYLLIUM COPPER	-
Female center contact	BERYLLIUM COPPER	-
Outer contact	STAINLESS STEEL	PASSIVATED
Insulator	ULTEM	
Gasket	SILICONE RUBBER	
Substrate	ALUMINA CERAMIC	
Resistor	-	
Others parts	-	

PAGE 2/2	ISSUE 10-12-15A	SERIES ATTENUATOR	PART NUMBER R413306150
----------	-----------------	----------------------	------------------------

ELECTRICAL CHARACTERISTICS

Frequency (GHz)	DC-26.5	26.5-40
V.S.W.R (≤)	1.25	1.45
Deviation(±dB)	0.4	0.5

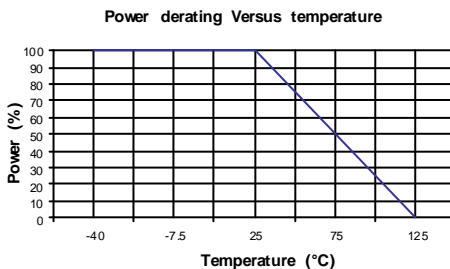
Operating Frequency Range	DC-40	GHz
Impedance	50	Ω
Nominal Attenuation	6	dB
Peak power at 25°C (1μs, 1%)	50	W
Average power at 25°C	2	W (Free Air Cooled)
		W (Conduction Cooled)

MECHANICAL CHARACTERISTICS

Connectors	SMA2.9	Male Female	MIL-C 39012
Weight	6,200	g	

ENVIRONMENTAL CHARACTERISTICS

Operating temperature range	-55/+125	°C
Storage temperature range	-55/+125	°C



SPECIFICATION

OTHER CHARACTERISTICS