

Released under the Creative Commons Attribution Share-Alike 4.0 License
<https://creativecommons.org/licenses/by-sa/4.0/>



TITLE: Artemis_Global_Tracker

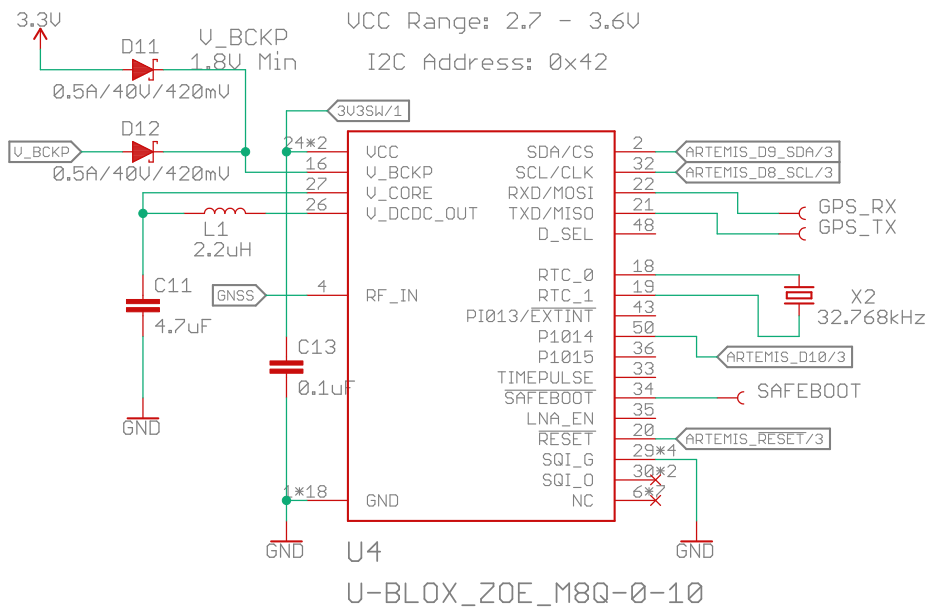
Design by: Paul Clark
 Based on the SparkFun Artemis and Quic ZOE-M8Q

REV:
 V2

Date: 4/7/2020 4:31 PM

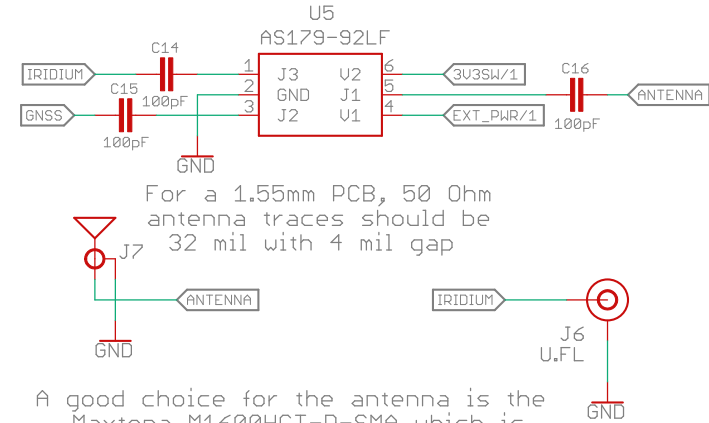
Sheet: 1/4

uBlox ZOE-M8Q-0-10



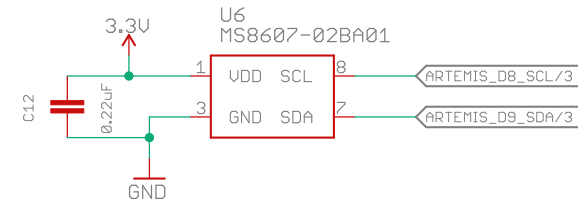
Antenna Switch

** !! Make sure 3V3SW and EXT_PWR are not enabled simultaneously !! **



A good choice for the antenna is the Maxtena M1600HCT-P-SMA which is tuned for Iridium, GPS and GLONASS

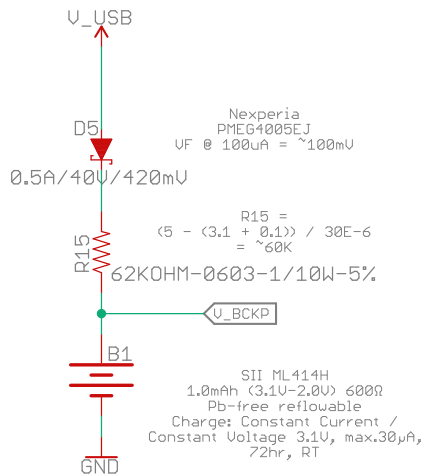
Pressure, Humidity & Temperature Sensor



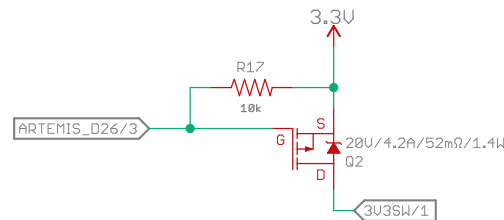
VDD Range: 1.5 - 3.6V

I2C Addresses:
Pressure & Temperature: 0x76
Relative Humidity: 0x40

Back-Up Battery



GPS Power Switch



Released under the Creative Commons Attribution Share-Alike 4.0 License
<https://creativecommons.org/licenses/by-sa/4.0/>

TITLE: Artemis_Global_Tracker

Design by: Paul Clark
Based on the SparkFun Artemis and Qwiic ZOE-M8Q

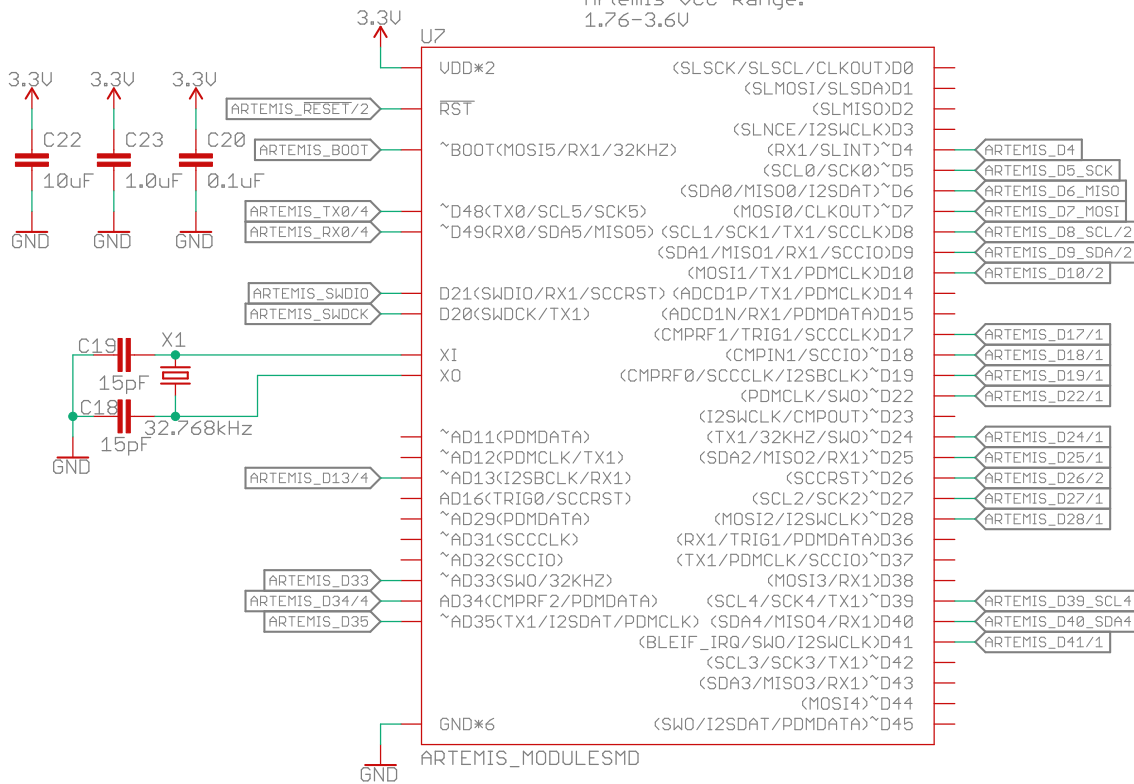
REV:
V2

Date: 4/7/2020 4:31 PM

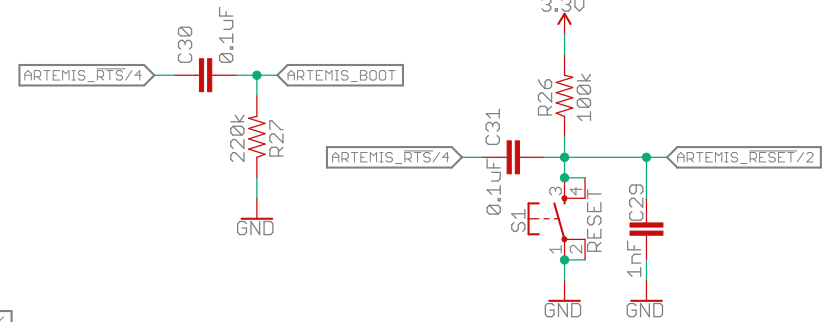
Sheet: 2/4

Artemis (Apollo3)

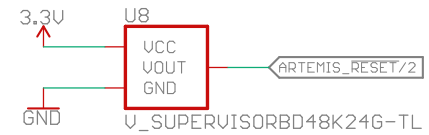
Artemis UCC Range:
1.76-3.6V



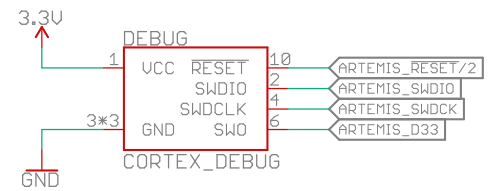
Bootloader Reset Circuit



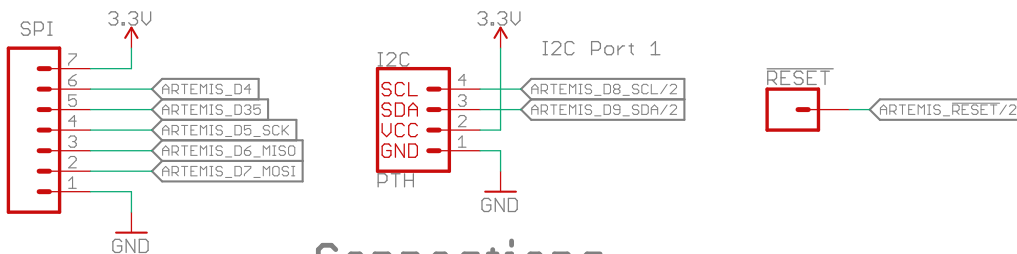
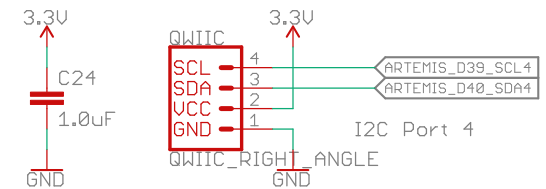
2.4V Reset Supervisor (Ensures a clean start on solar power)



SWD Program/Debug Interface



I2C/Qwiic



Connections

Released under the Creative Commons Attribution Share-Alike 4.0 License
<https://creativecommons.org/licenses/by-sa/4.0/>

TITLE: Artemis_Global_Tracker

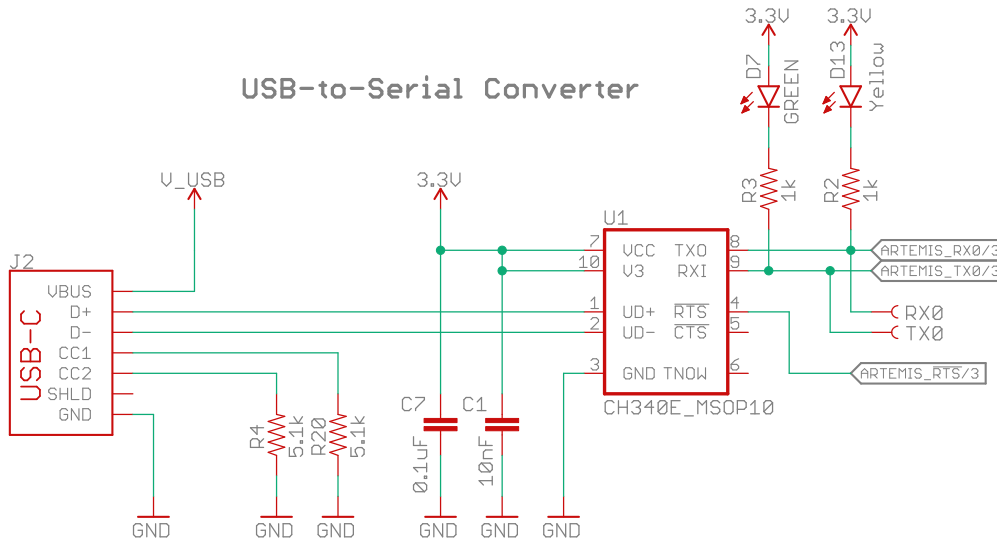
Design by: Paul Clark
 Based on the SparkFun Artemis and Qwiic ZOE-M8Q

REV:
V2

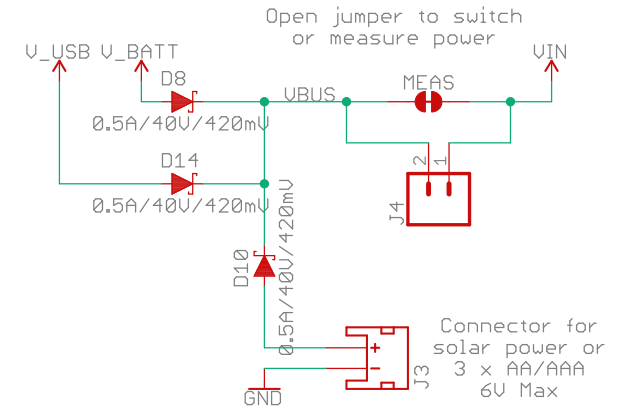
Date: 4/7/2020 4:31 PM

Sheet: 3/4

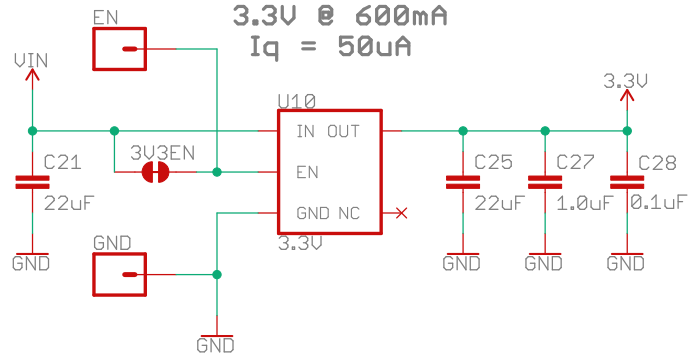
USB-to-Serial Converter



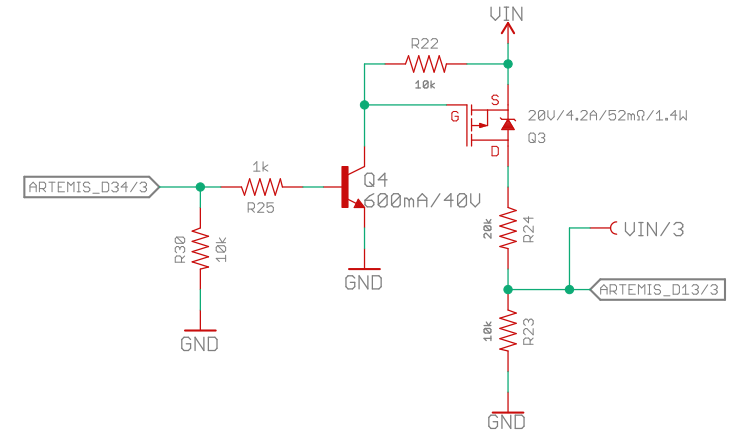
Power Source Select



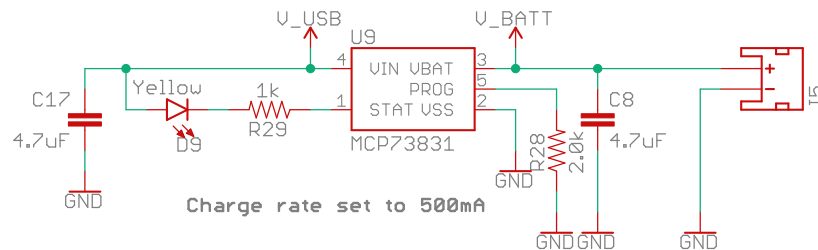
3.3V @ 600mA I_q = 50µA



Bus Voltage Measurement



USB/LiPo Charger



Released under the Creative Commons Attribution Share-Alike 4.0 License
<https://creativecommons.org/licenses/by-sa/4.0/>

TITLE: Artemis_Global_Tracker

Design by: Paul Clark
 Based on the SparkFun Artemis and Qiic ZOE-M8Q

REV:
 V2

Date: 4/7/2020 4:31 PM

Sheet: 4/4