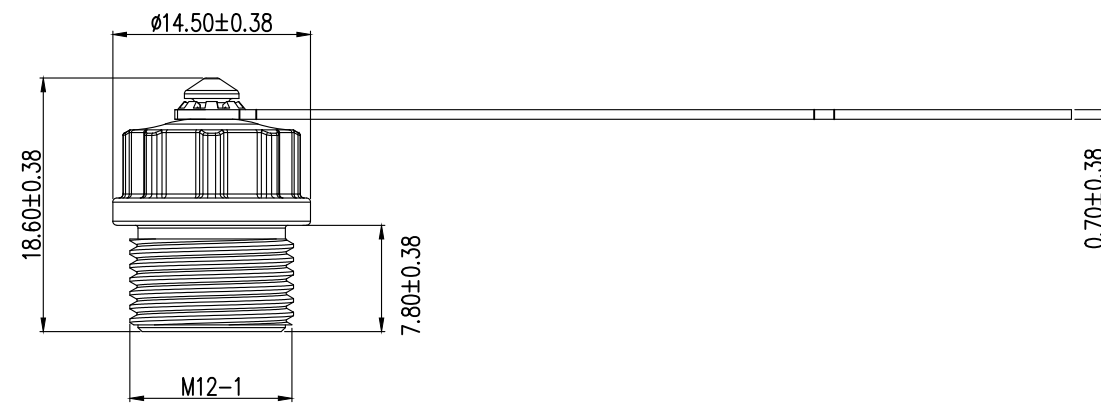
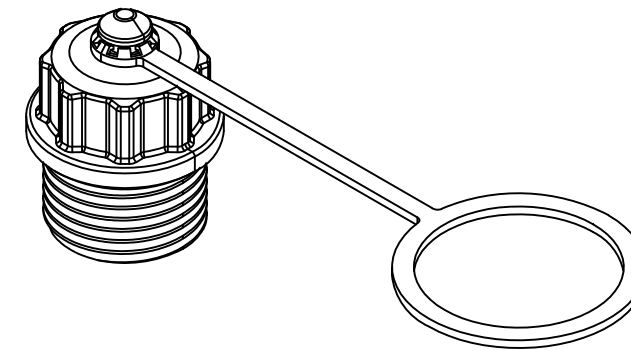
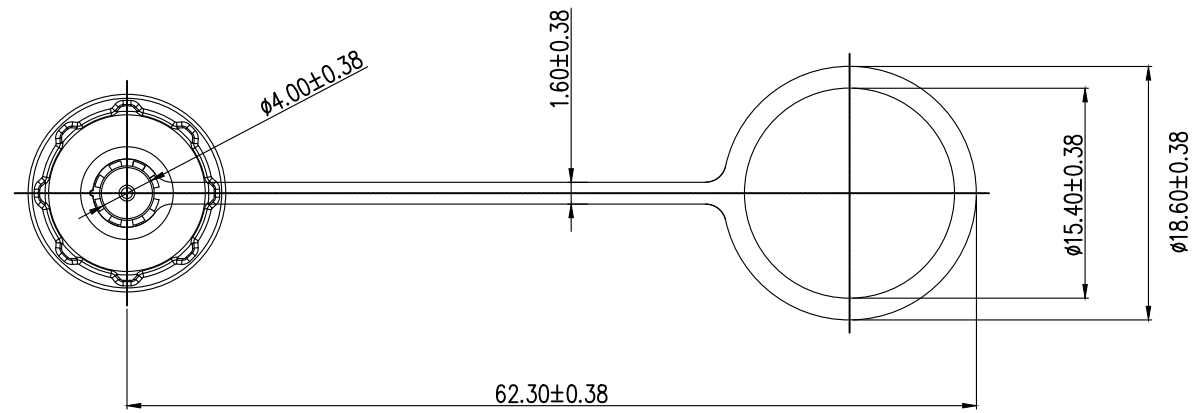


DATE	REV	REVISION CHANGES	EDN	APP'D. BY
12/29/21	X0	INITIAL DRAWING	-	JMM
1/3/22	X1	CHANGED FORMAT TO METRIC	-	J.E
5/24/22	X2	CORRECTED DRAWING NUMBER	-	JMM
6/14/22	A0	INITIAL RELEASE	12001	JMM



NOTES:

- CONNECTOR MATERIALS:
CAP: BLACK THERMOPLASTIC
CHAIN: BLACK THERMOPLASTIC
- DEGREE OF PROTECTION: IP68

SS-12400-006
PART NUMBER

		11118 Susquehanna Trail South Glen Rock, PA 17327-9199 (717) 235-7512 http://www.stewartconnector.com	
		FILE: M12 X-CODE IP 68 PLASTIC CAP	
DO NOT SCALE DRAWING DRAWING IS SUBJECT TO CHANGE WITHOUT NOTICE		THIS DRAWING AND THE SUBJECT MATTER SHOWN THEREON ARE CONFIDENTIAL AND THE PROPRIETARY PROPERTY OF STEWART CONNECTOR AND SHALL NOT BE REPRODUCED, COPIED, OR USED IN ANY MANNER WITHOUT PRIOR WRITTEN CONSENT OF STEWART CONNECTOR, ONE OR MORE U.S. PATENTS MAY APPLY TO THIS PRODUCT. FOR DETAILS, PLEASE VISIT: http://helpfuse.com/STEWART/PARTS/	
DIMENSIONS: METRIC UNLESS OTHERWISE SPECIFIED TOLERANCES ARE: 0.13 ANGLES ARE 3°		DRW BY: JMM DATE: 12/29/21	APP'D BY: J.E DATE: 6/14/22
SHEET NO. 1 OF 1		DWG NO. CT120019	REV. A0



AutoCAD A1 Metric