

1

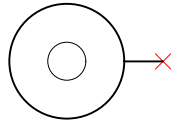
2

3

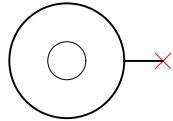
4

A

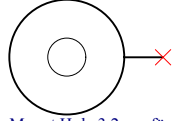
A



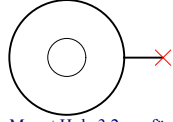
Mount.Hole 3.2mm für Unterlegscheibe



Mount.Hole 3.2mm für Unterlegscheibe



Mount.Hole 3.2mm für Unterlegscheibe



Mount.Hole 3.2mm für Unterlegscheibe

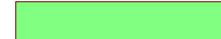
ZYNQ_MISC
ZYNQ_MISC.SchDoc



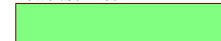
DDR-RAM
DDR-RAM.SchDoc



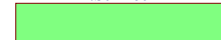
Interface
Interface.SchDoc



Power
Power.SchDoc



ETH-PHY
ETH-PHY.SchDoc



U_ETH-PHY2
ETH-PHY2.SchDoc



DDR
PS-DDR.SchDoc



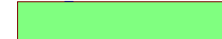
MIO_B501
MIO_B501.SchDoc



MIO_B500
MIO_B500.SchDoc



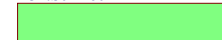
POWER
ZYNC_POWER.SchDoc



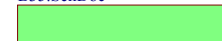
B13
B13.SchDoc



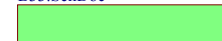
B34
B34.SchDoc



B34
B35.SchDoc



U_B33
B33.SchDoc

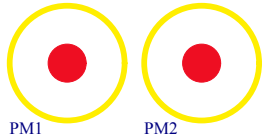


B

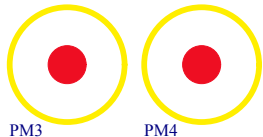
B

C

C



PM1 PM2



PM3 PM4



PM5 PM6

1

2

3

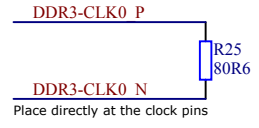
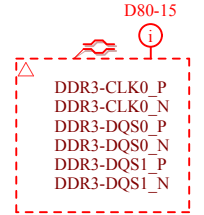
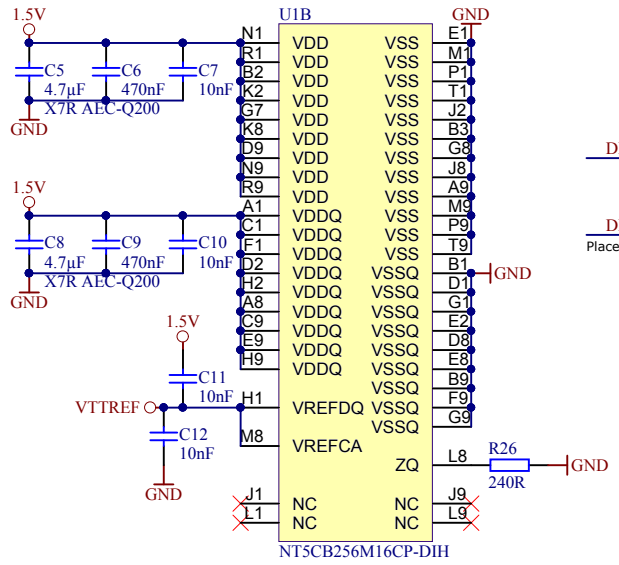
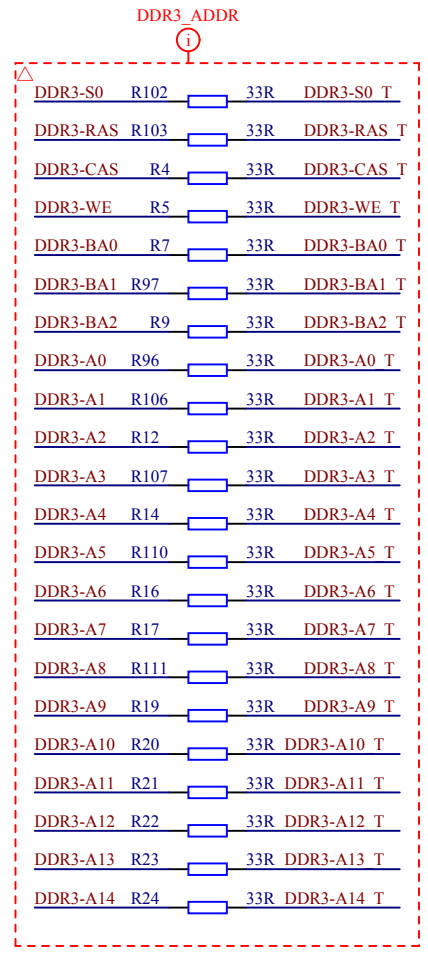
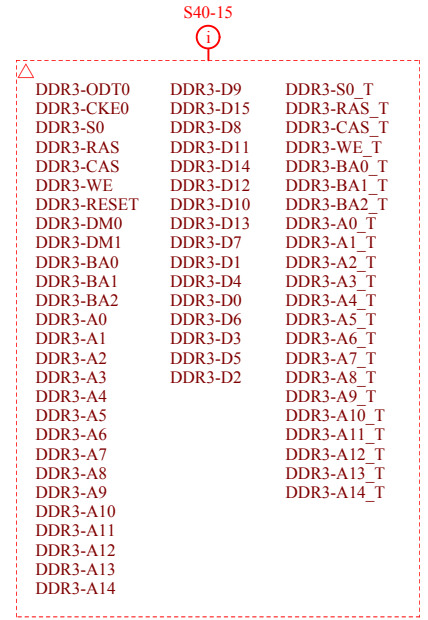
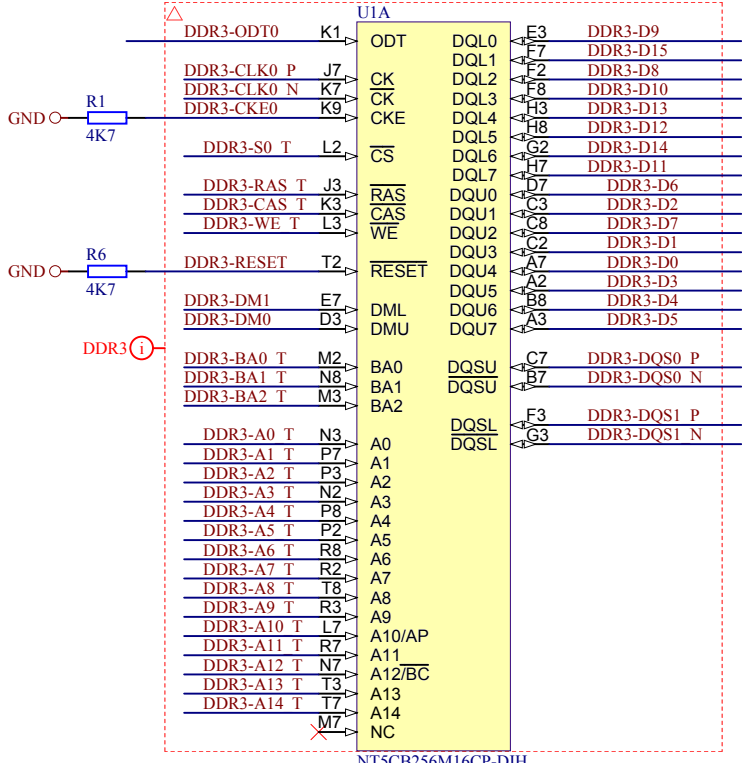
4

D

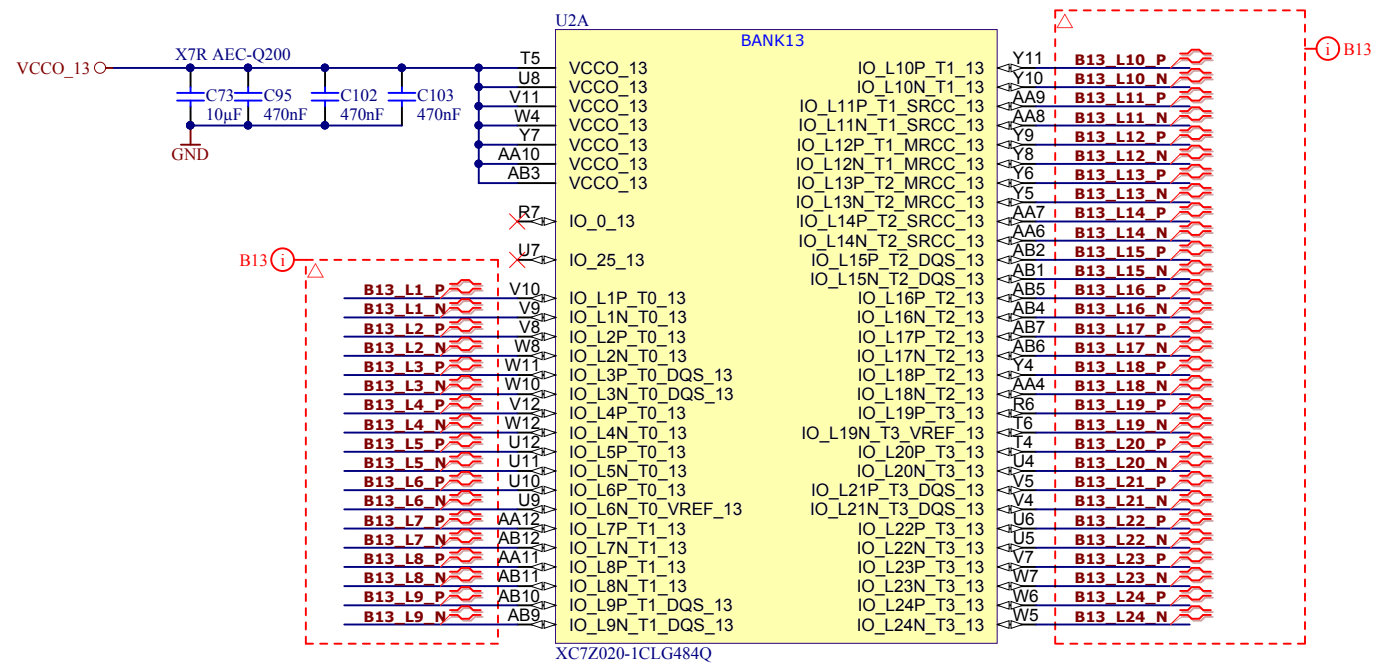
D

		Title: TE0728 - Overview	
		A4	Number: TE0728 Default
Date: 2015-10-14		Copyright: Trenz Electronic GmbH / TT	Rev. 03
Filename: TE0728.SchDoc		Page1 of 15	

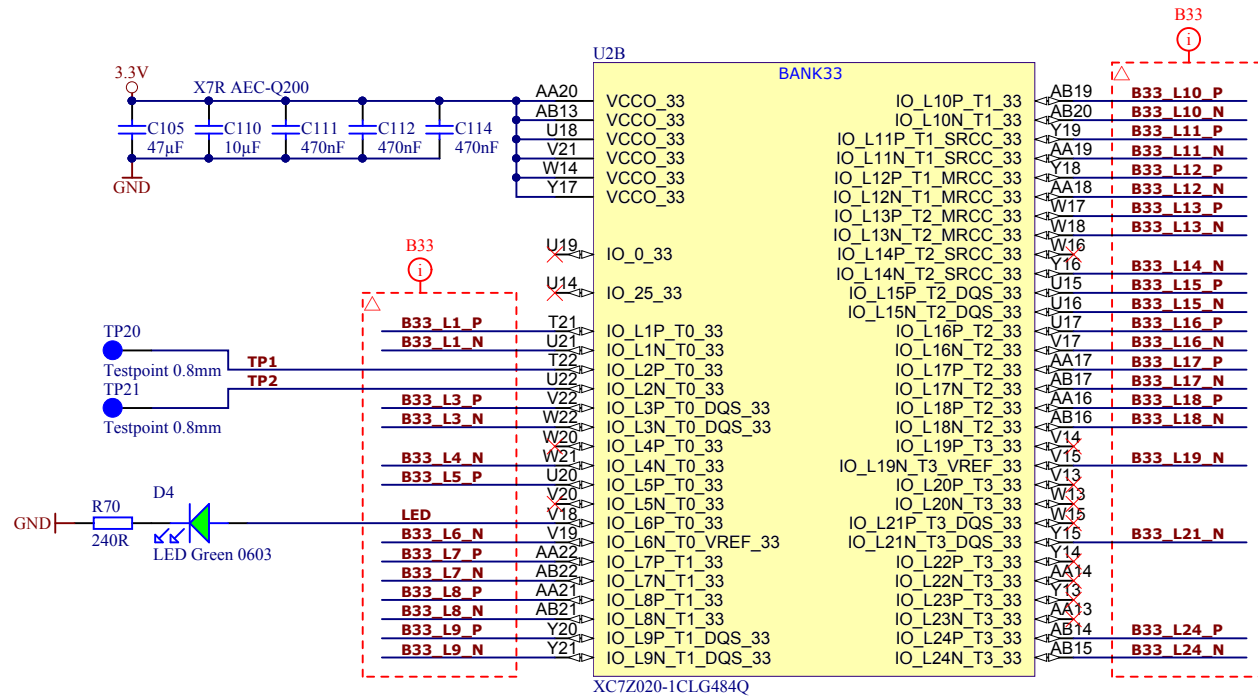
Xilinx recommends CKE be pulled up through 40R 1% to Vtt



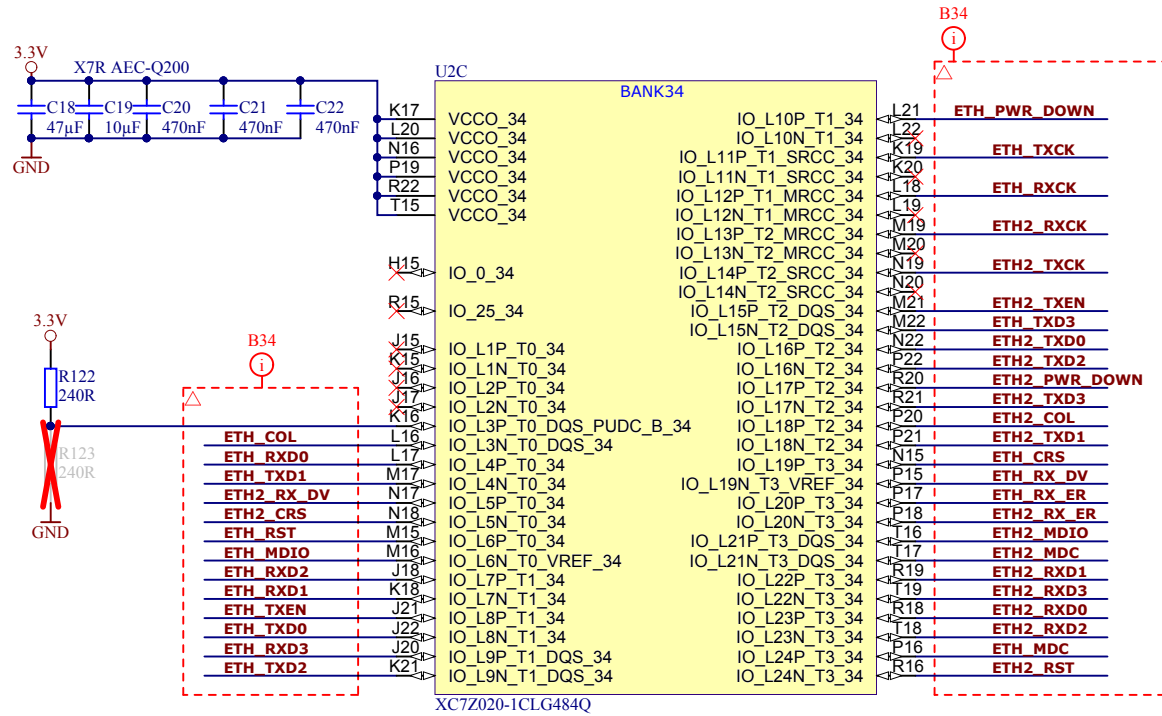
Title: TE0728 - DDR RAM			
A4	Number: TE0728 Default	Rev. 03	
Date: 2015-10-14	Copyright: Trenz Electronic GmbH / TT	Page2 of 15	
Filename: DDR-RAM.SchDoc			



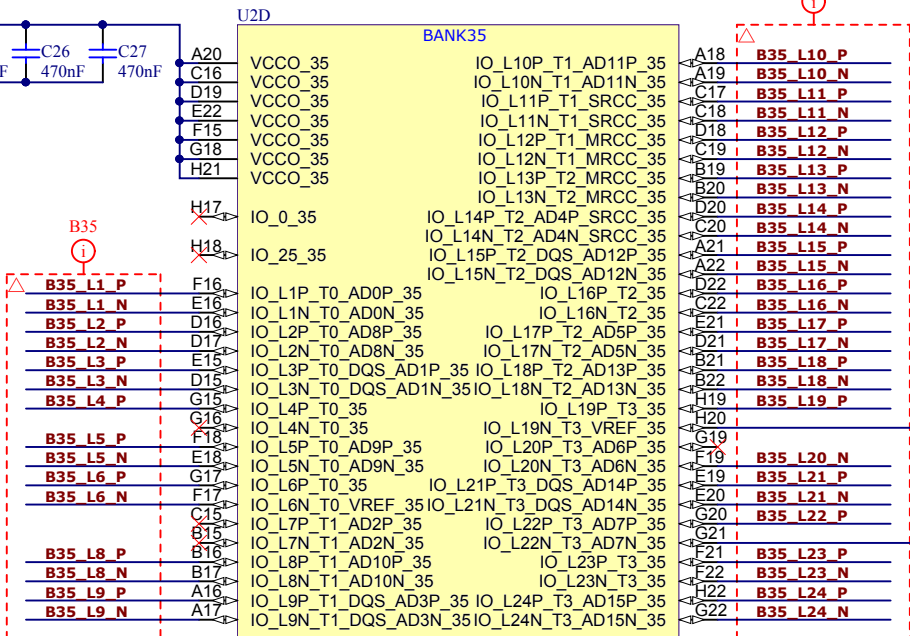
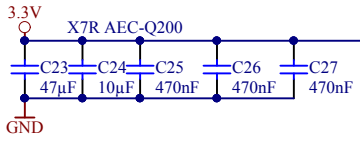
Title: TE0728 - B13		
A4	Number: TE0728 Default	Rev. 03
Date: 2015-10-14	Copyright: Trenz Electronic GmbH / TT	Page3 of 15
Filename: B13.SchDoc		



Title: TE0728 - B33		
A4	Number: TE0728 Default	Rev. 03
Date: 2015-10-14	Copyright: Trenz Electronic GmbH / TT	Page 4 of 15
Filename: B33.SchDoc		



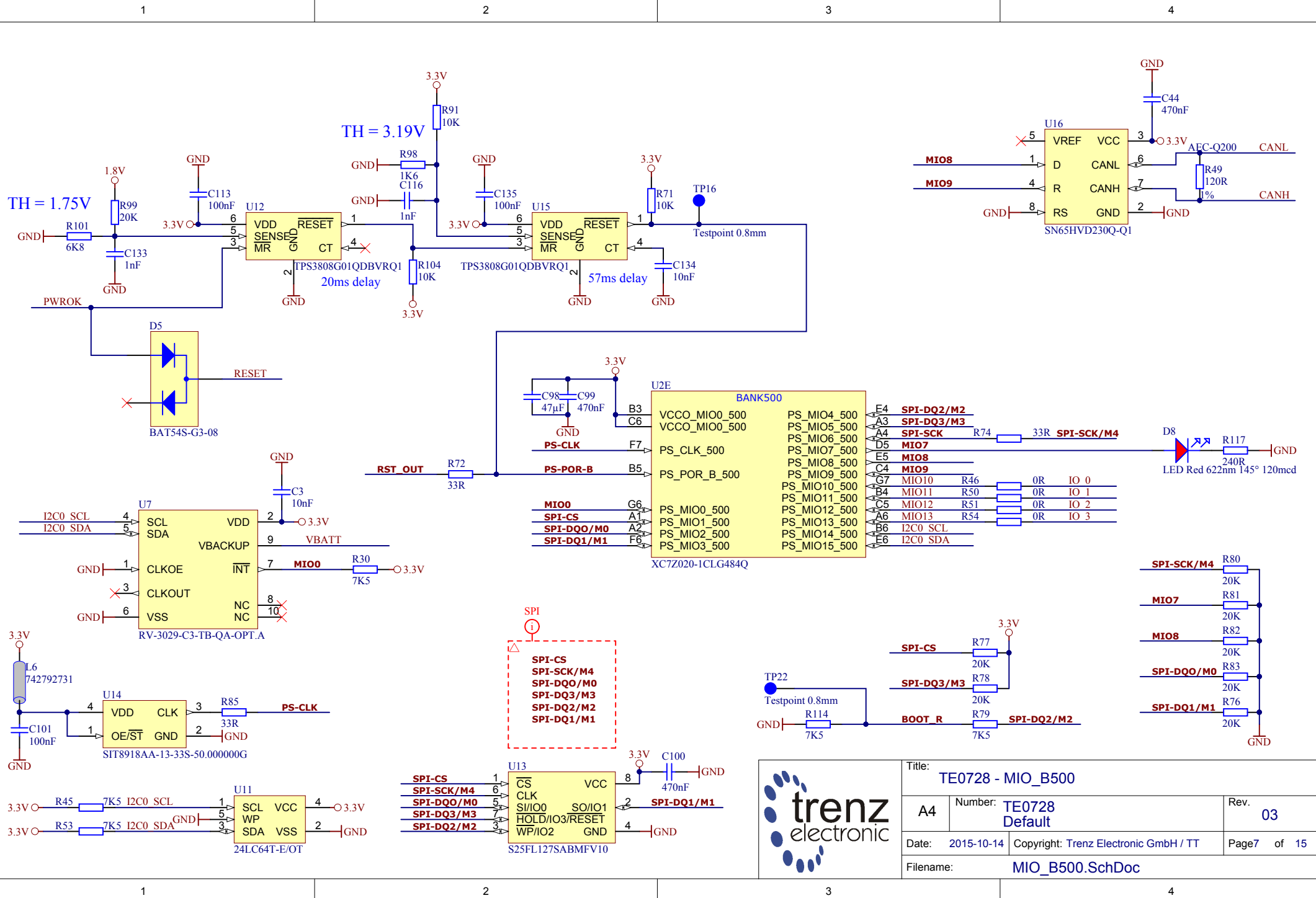
Title: TE0728 - B34		
A4	Number: TE0728 Default	Rev. 03
Date: 2015-10-14	Copyright: Trenz Electronic GmbH / TT	Page 5 of 15
Filename: B34.SchDoc		



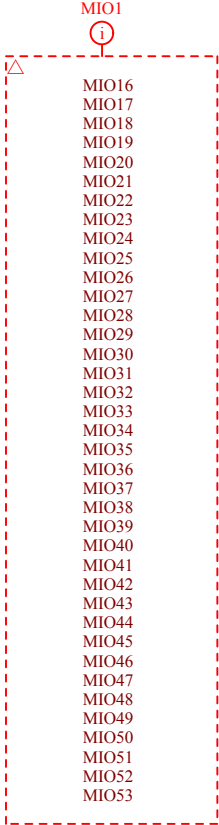
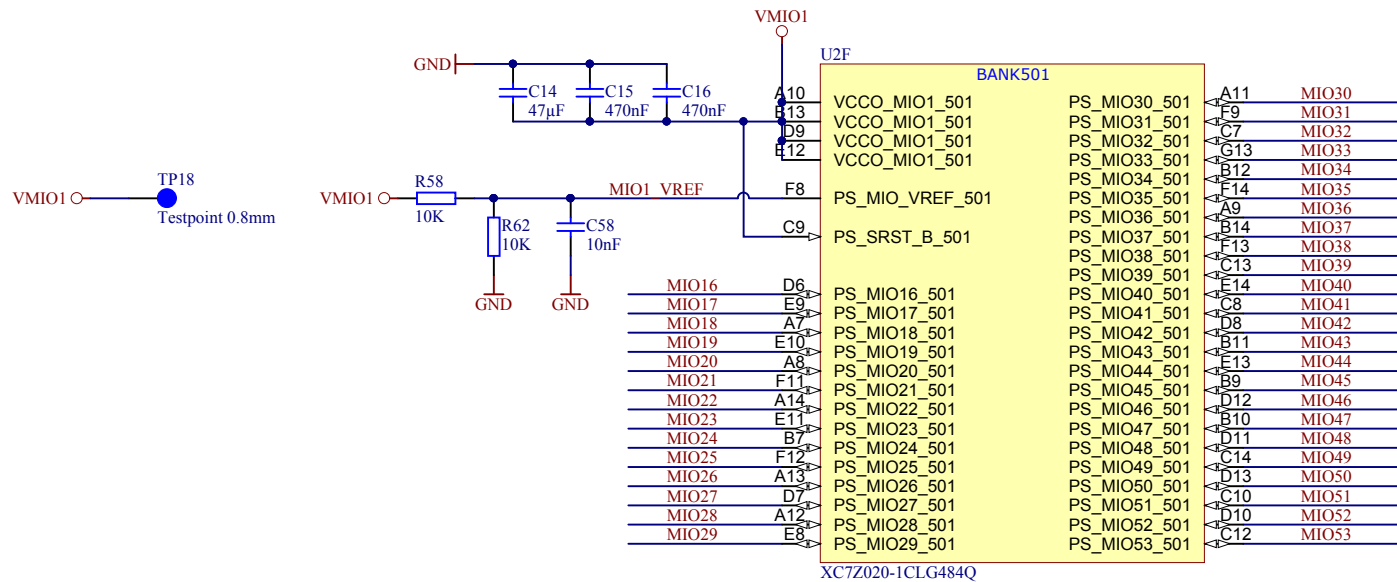
XC7Z020-1CLG484Q



Title: TE0728 - B35		
A4	Number: TE0728 Default	Rev. 03
Date: 2015-10-14	Copyright: Trenz Electronic GmbH / TT	Page 6 of 15
Filename: B35.SchDoc		



Title: TE0728 - MIO_B500		
A4	Number: TE0728 Default	Rev. 03
Date: 2015-10-14	Copyright: Trenz Electronic GmbH / TT	Page 7 of 15
Filename: MIO_B500.SchDoc		



	Title: TE0728 - MIO_B501		
	A4	Number: TE0728 Default	Rev. 03
	Date: 2015-10-14	Copyright: Trenz Electronic GmbH / TT	Page 8 of 15
	Filename: MIO_B501.SchDoc		

A

A

B

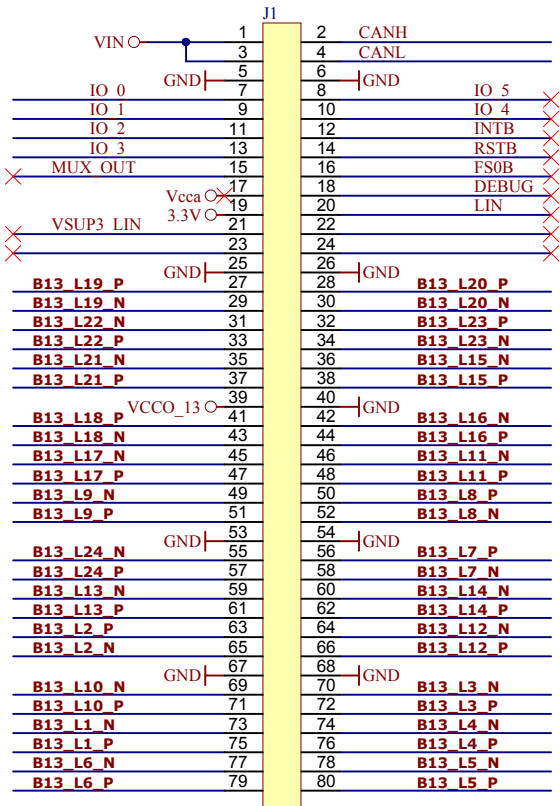
B

C

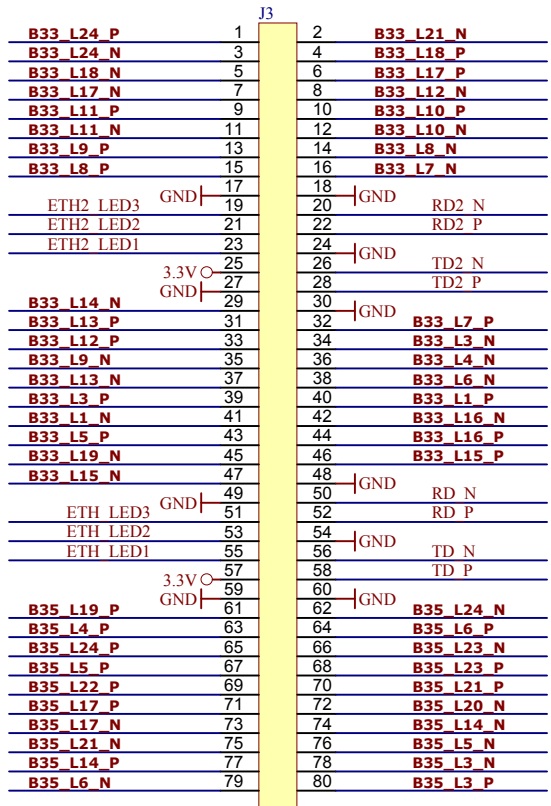
C

D

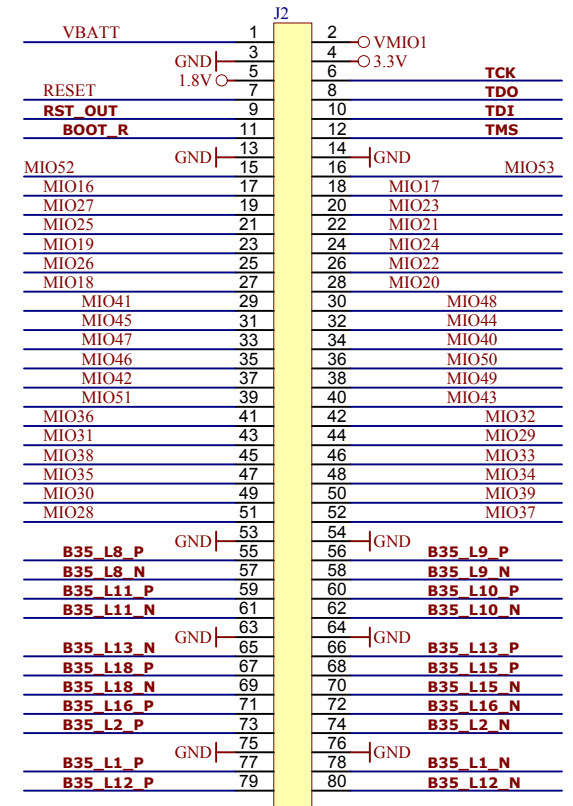
D



SEM-140-02-03.0-H-D-A



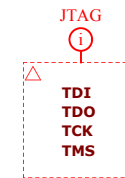
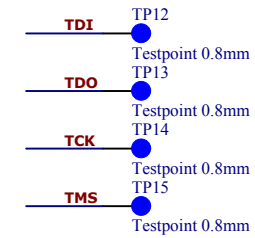
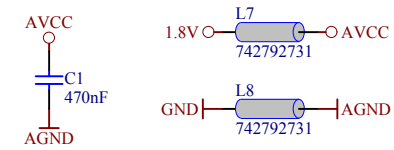
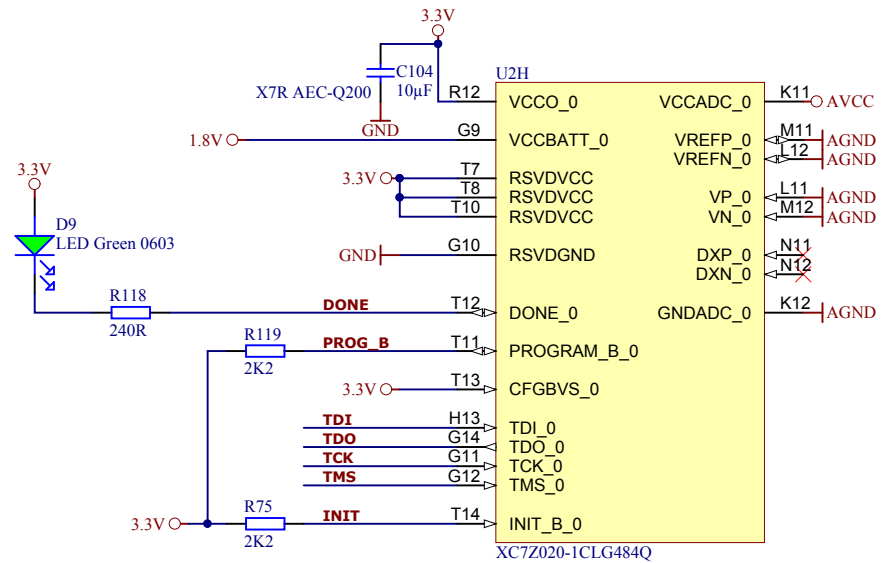
SEM-140-02-03.0-H-D-A




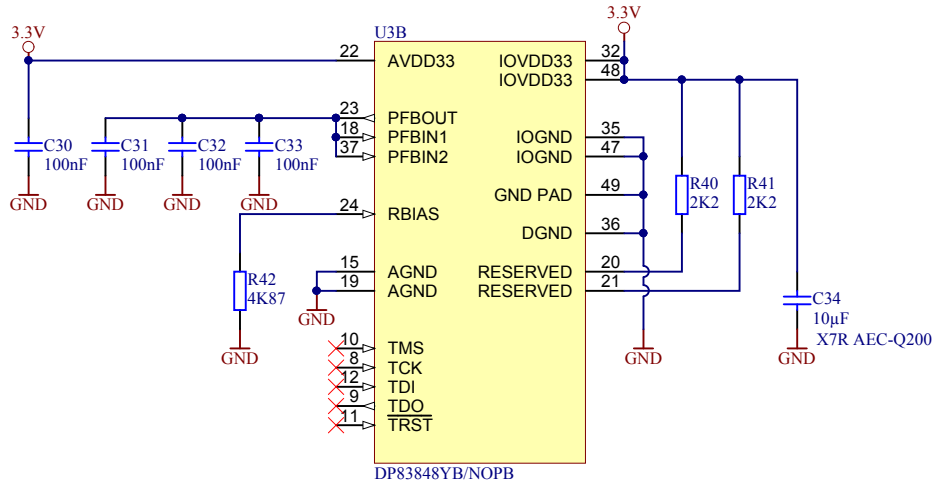
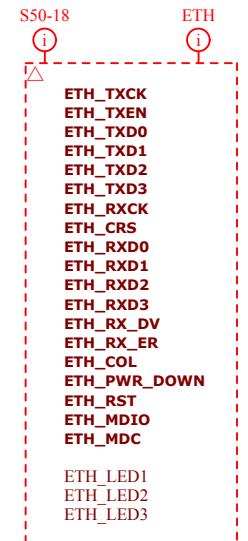
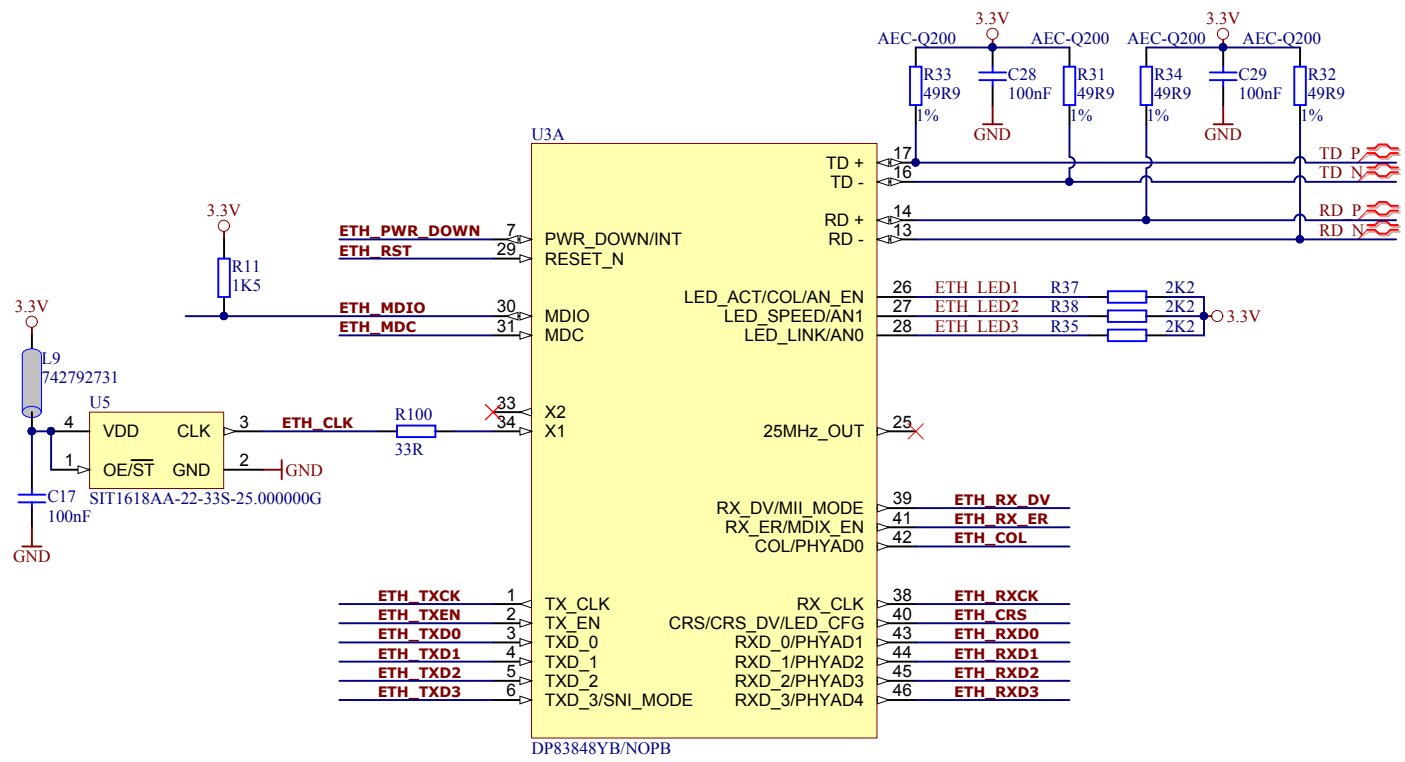
SEM-140-02-03.0-H-D-A



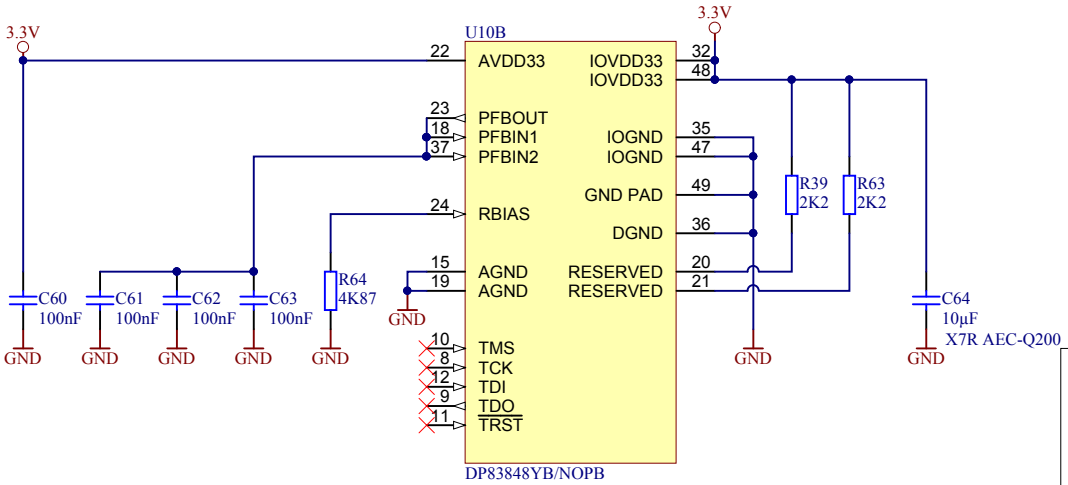
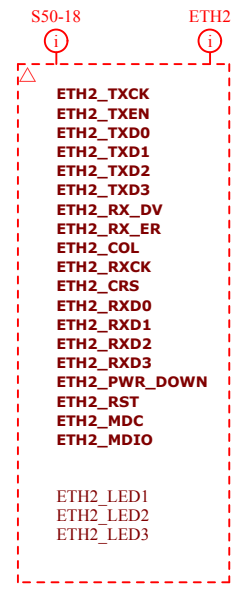
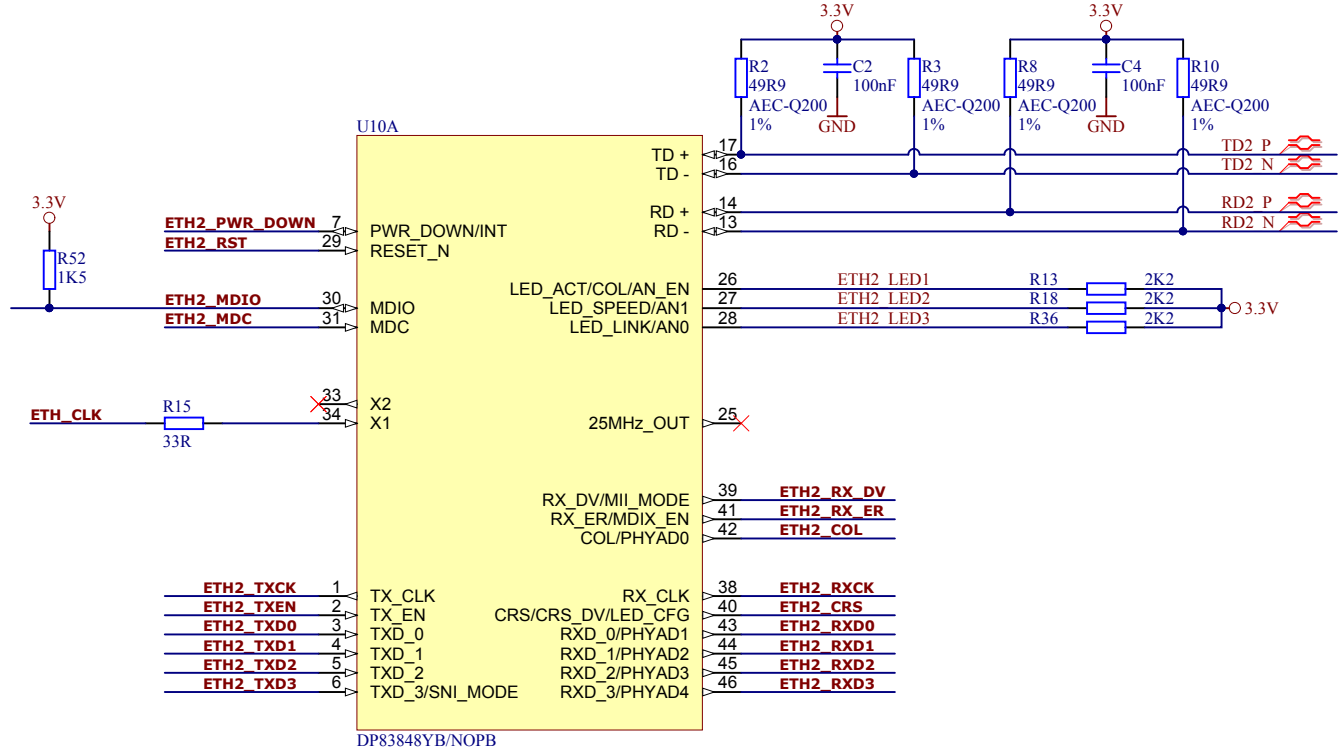
Title: TE0728 - Interface			
A4	Number: TE0728 Default	Rev. 03	
Date: 2015-10-14	Copyright: Trenz Electronic GmbH / TT	Page9 of 15	
Filename: Interface.SchDoc			



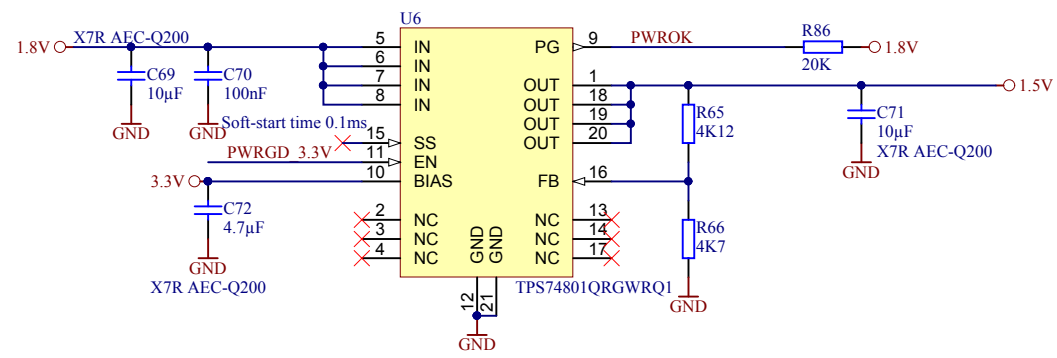
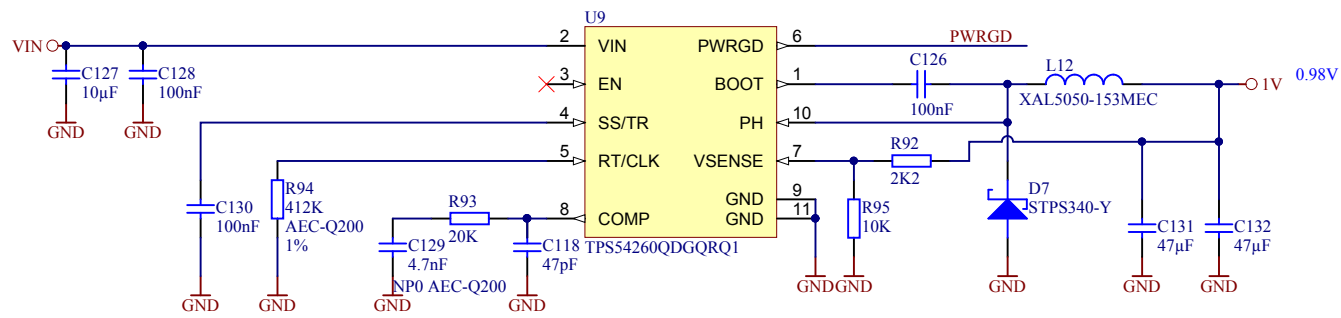
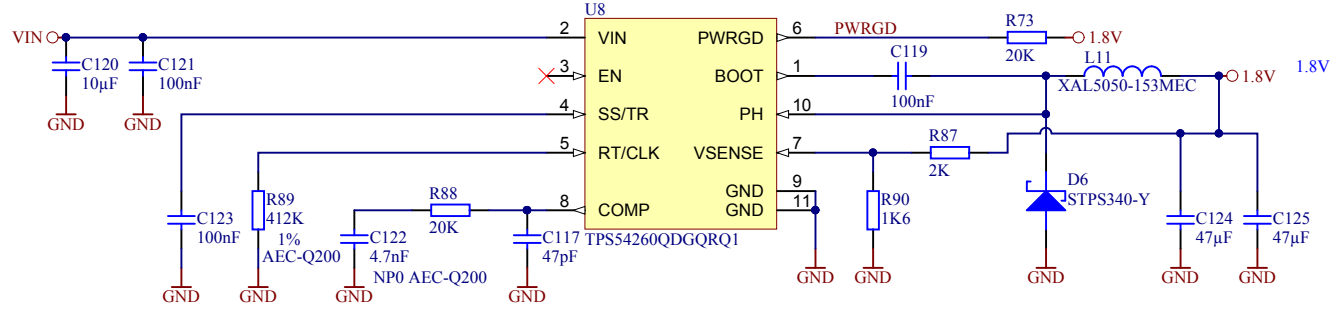
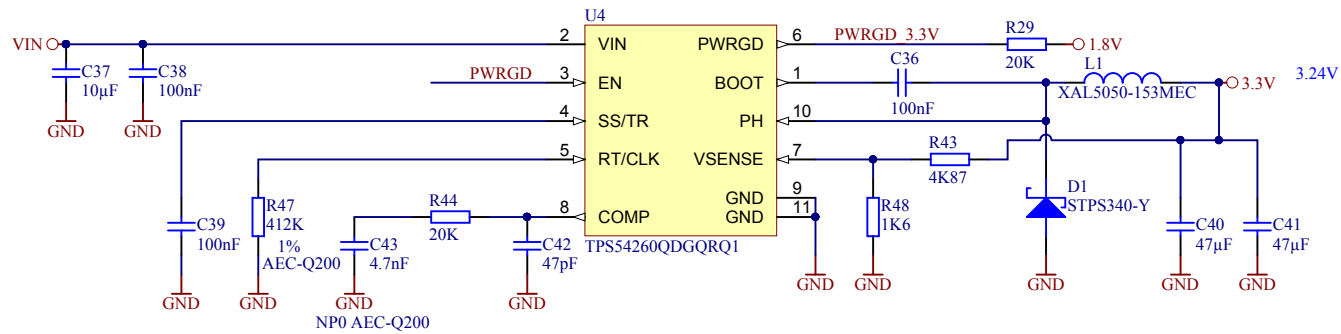
	Title: TE0728 - ZYNQ Misc		
	A4	Number: TE0728 Default	Rev. 03
	Date: 2015-10-14	Copyright: Trenz Electronic GmbH / TT	Page 12 of 15
	Filename: ZYNQ_MISC.SchDoc		



Title: TE0728 - ETH PHY		
A4	Number: TE0728 Default	Rev. 03
Date: 2015-10-14	Copyright: Trenz Electronic GmbH / TT	Page 13 of 15
Filename: ETH-PHY.SchDoc		



Title: TE0728 - ETH PHY2		
A4	Number: TE0728 Default	Rev. 03
Date: 2015-10-14	Copyright: Trenz Electronic GmbH / TT	Page 14 of 15
Filename: ETH-PHY2.SchDoc		



- GND TP1 Testpoint 0.8mm
- GND TP2 Testpoint 0.8mm
- VIN TP3 Testpoint 0.8mm
- VIN TP4 Testpoint 0.8mm
- 1.5V TP5 Testpoint 0.8mm
- 1.8V TP6 Testpoint 0.8mm
- 3.3V TP7 Testpoint 0.8mm
- 1V TP8 Testpoint 0.8mm
- PWROK TP9 Testpoint 0.8mm
- PWRGD TP10 Testpoint 0.8mm
- PWRGD 3.3V TP11 Testpoint 0.8mm

Title: TE0728 - Power		
A4	Number: TE0728 Default	Rev. 03
Date: 2015-10-14	Copyright: Trenz Electronic GmbH / TT	Page 15 of 15
Filename: Power.SchDoc		