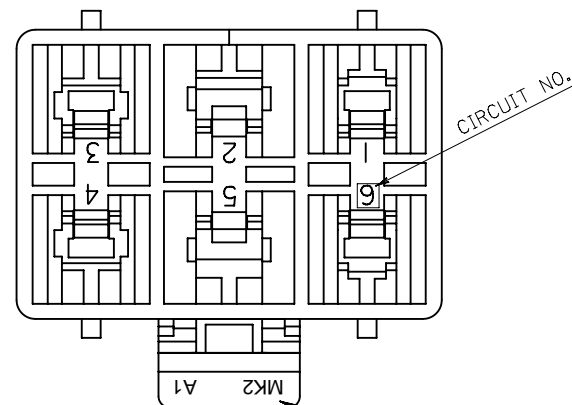
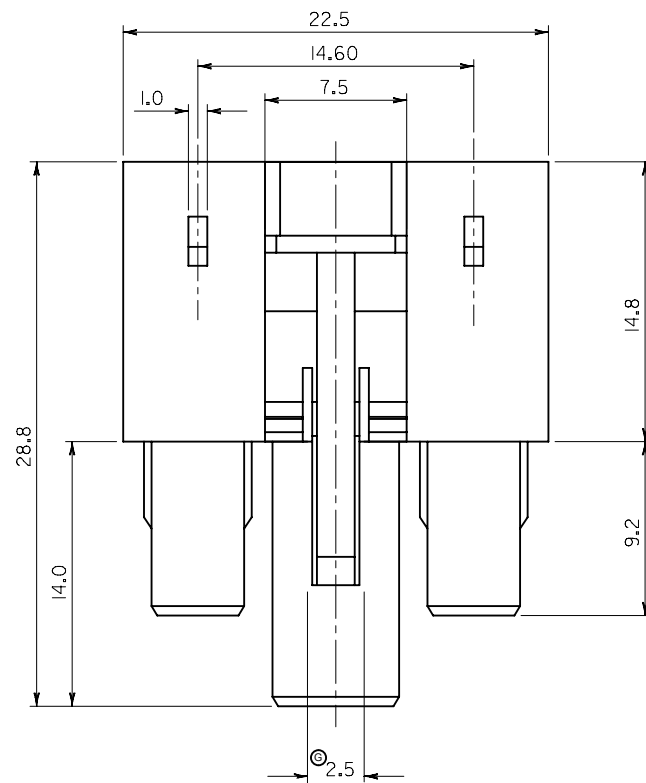
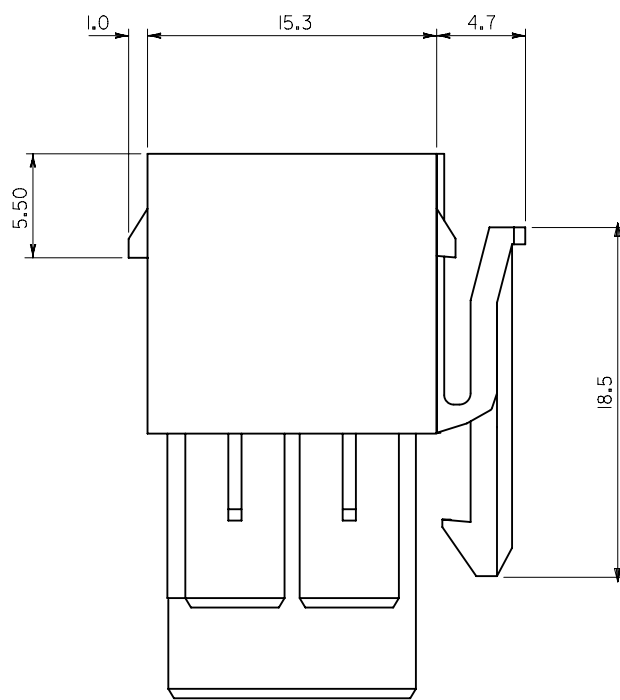
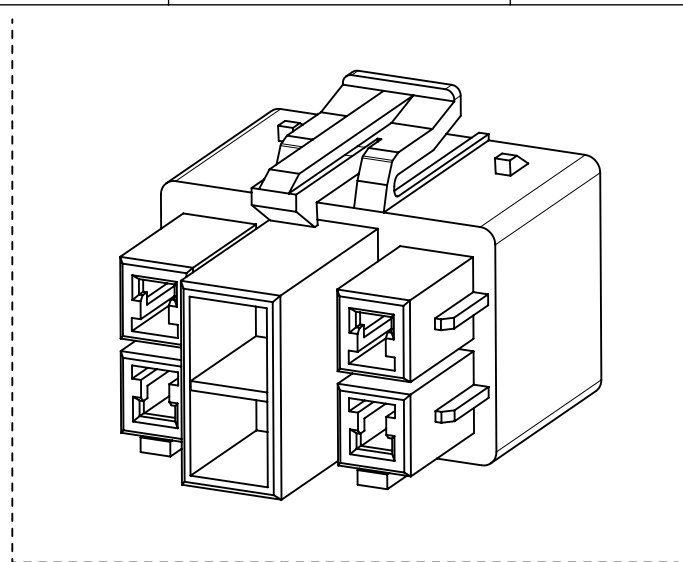


VIEW "A"



Ⓔ TOOL & CAVITY NO
(TOOL:A,B.. CAV:1,2..)

TRADE MARK
(MK2)



NOTES

- MATERIAL AND COLOR : SEE "[TABLE]"
- MATED HOUSING : 35150-*60*/35150-*61*
35150-039* (TPA)
- APPLICABLE TERMINAL : 35745-**** (2,5 CIRCUIT)
35746-**** (3,4 CIRCUIT)
Ⓔ 35748-**** (1,6 CIRCUIT)

No.	PRODUCT	MATERIAL
1	35151-0610 NATURAL	POLYESTER PBT (UL94V-0)
2	35151-0614 BLUE	
3	35151-0619 NATURAL	PC/PET (UL94V-0)
4	35151-3619 YELLOW	
5	35151-4619 BLUE	

THIS DRAWING CONTAINS INFORMATION THAT IS PROPRIETARY TO MOLEX ELECTRONIC TECHNOLOGIES, LLC AND SHOULD NOT BE USED WITHOUT WRITTEN PERMISSION		CURRENT REV DESC: OBSOLETE PART NUMBER		molex	
DIMENSION UNITS	SCALE	EC NO: 644856			
mm	1:1	DRWN: RPRABHUM 2020/06/25		PRODUCT CUSTOMER DRAWING	
GENERAL TOLERANCES (UNLESS SPECIFIED)		CHK'D: GGA 2020/10/07		DOCUMENT NUMBER	
		APPR: GGA 2020/10/07		SD-35151-061X	
		INITIAL REVISION:		DOC TYPE	
		DRWN: WY.YANG 1992/09/14		PSD	
		APPR:		DOC PART	
				001	
				REVISION	
				H	
DRAFT WHERE APPLICABLE MUST REMAIN WITHIN DIMENSIONS		THIRD ANGLE PROJECTION	DRAWING	SERIES	MATERIAL NUMBER
			A3-SIZE	35151	SEE TABLE
					CUSTOMER
					GENERAL MARKET
					SHEET NUMBER
					1 OF 1