

注記 NOTES:

- 使用材料 MATERIAL
 ハウジング: 液晶ポリマー (LCP)
 ガラス充填 UL94V-0 (黒)
 HOUSING: LIQUID CRYSTAL POLYMER (GLASS FILLED)
 UL94V-0 (COLOR: BLACK)
 ターミナル: リン青銅 (t=0.15)
 TERMINAL: PHOSPHOR BRONZE (t=0.15)
 金具: リン青銅 (t=0.15)
 FITTING NAIL: PHOSPHOR BRONZE (t=0.15)
- メッキ仕様 PLATING
 ターミナル TERMINAL
 金メッキ 0.2マイクロメートル以上 (コンタクト部)
 GOLD 0.2MICROMETER MINIMUM (CONTACT AREA)

- 金メッキ 0.4マイクロメートル以下 (テール部)
 GOLD 0.4MICROMETER MAXIMUM (TAIL AREA)
 下地メッキ: ニッケルメッキ 1.5マイクロメートル以上
 UNDER PLATING: NICKEL 1.5MICROMETER MINIMUM
 *コンタクト部とテール部はニッケルメッキによって分断されている金メッキです。
 DIVIDE INTO PARTS THE GOLD PLATING OF THE CONTACT AND THE TAIL PART BY THE NICKEL PLATING.

- 金具 FITTING NAIL
 錫メッキ 1.0 マイクロメートル以上
 TIN PLATING 1.0 MICROMETER MINIMUM
 下地メッキ: ニッケルメッキ 1.0 マイクロメートル以上
 UNDER PLATING: NICKEL 1.0 MICROMETER MINIMUM

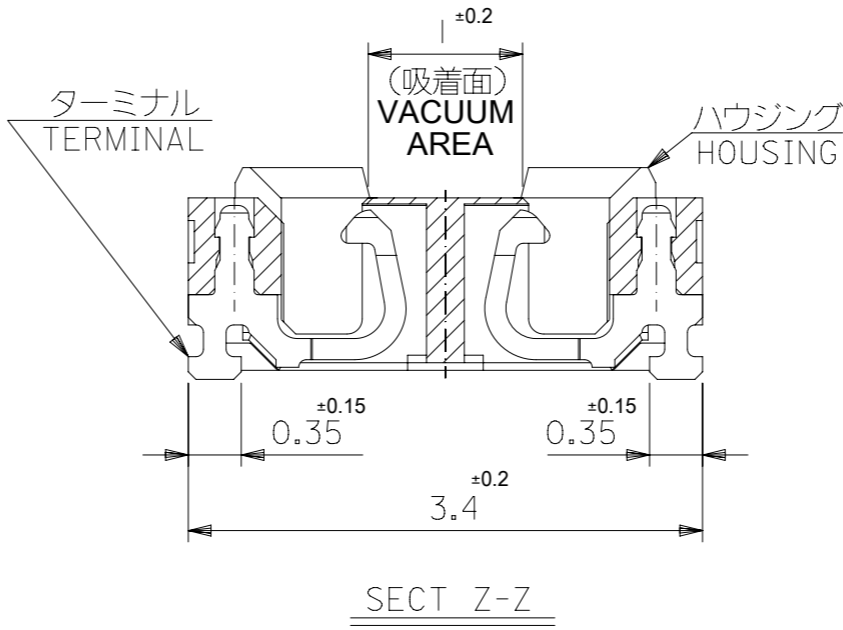
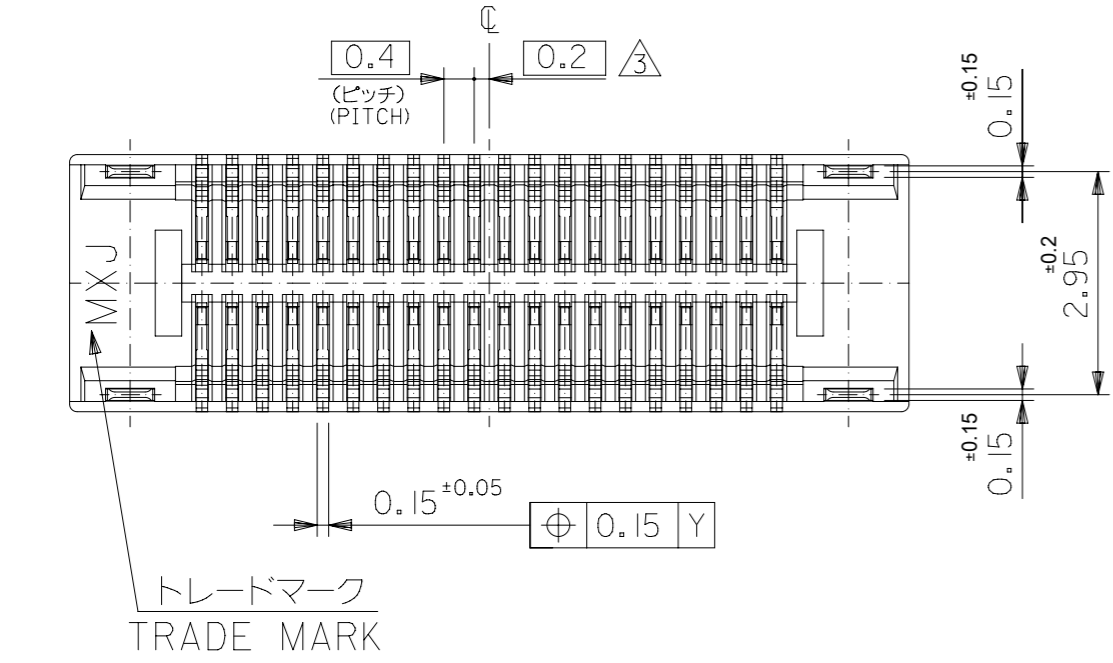
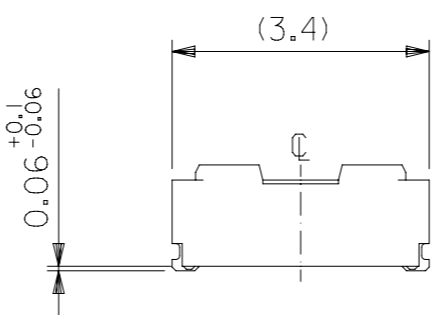
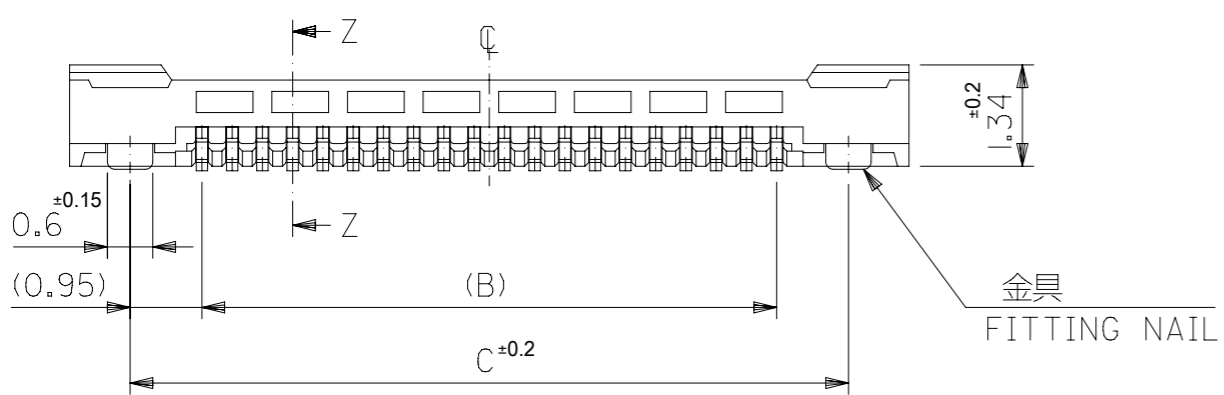
③ (全極数/2) = 偶数の場合に適用。
 APPLY FOR (CIRCUIT/2)=EVEN.

- 嵌合相手: 55909シリーズ (嵌合高さ = 1.5mm) 及び 501745シリーズ (嵌合高さ = 2.0mm)
 MATE WITH : 55909 SERIES (HEIGHT = 1.5mm) AND 501745 SERIES (HEIGHT = 2.0mm)

- テール平坦度は、0.08以下
 テール及び金具の平坦度は、0.1以下
 TAIL COPLANARITY TO BE 0.08MAXIMUM
 TAIL AND FITTING NAIL COPLANARITY TO BE 0.1MAXIMUM

④ 同一回路以外のパターン書込み禁止範囲を示す。
 NO PRINT CIRCUIT AREA OTHER THAN THE SAME CIRCUIT.

- 本製品は 51338-***3 の鉛フリー品である。
 THIS PRODUCT IS LEAD FREE OF 51338-***3.



21.5	19.6	23.1	51338-1074	100
19.5	17.6	21.1	51338-0974	90
17.5	15.6	19.1	51338-0874	80
15.5	13.6	17.1	51338-0774	70
14.3	12.4	15.9	51338-6473	64
13.5	11.6	15.1	51338-0674	60
12.3	10.4	13.9	51338-5473	54
11.5	9.6	13.1	51338-0574	50
10.3	8.4	11.9	51338-4473	44
9.5	7.6	11.1	51338-0474	40
8.3	6.4	9.9	51338-3474	34
7.5	5.6	9.1	51338-0374	30
6.7	4.8	8.3	51338-2674	26
6.3	4.4	7.9	51338-2474	24
5.9	4.0	7.5	51338-2274	22
5.5	3.6	7.1	51338-0274	20
4.7	2.8	6.3	51338-1674	16
3.9	2.0	5.5	51338-9974	12
3.5	1.6	5.1	51338-9873	10
C	B	A	EMBOSSED PACKAGE	CKT.
			ORDER NO. オーダー番号	

CONNECTOR SERIES No. 51338-***9

THIS DRAWING CONTAINS INFORMATION THAT IS PROPRIETARY TO MOLEX ELECTRONIC TECHNOLOGIES, LLC AND SHOULD NOT BE USED WITHOUT WRITTEN PERMISSION

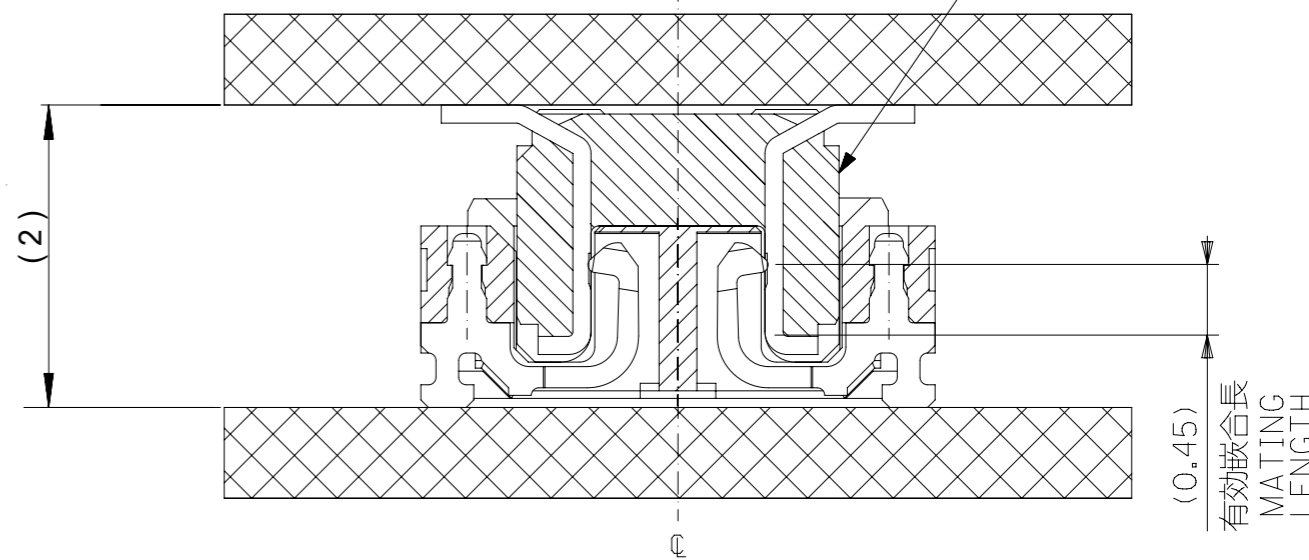
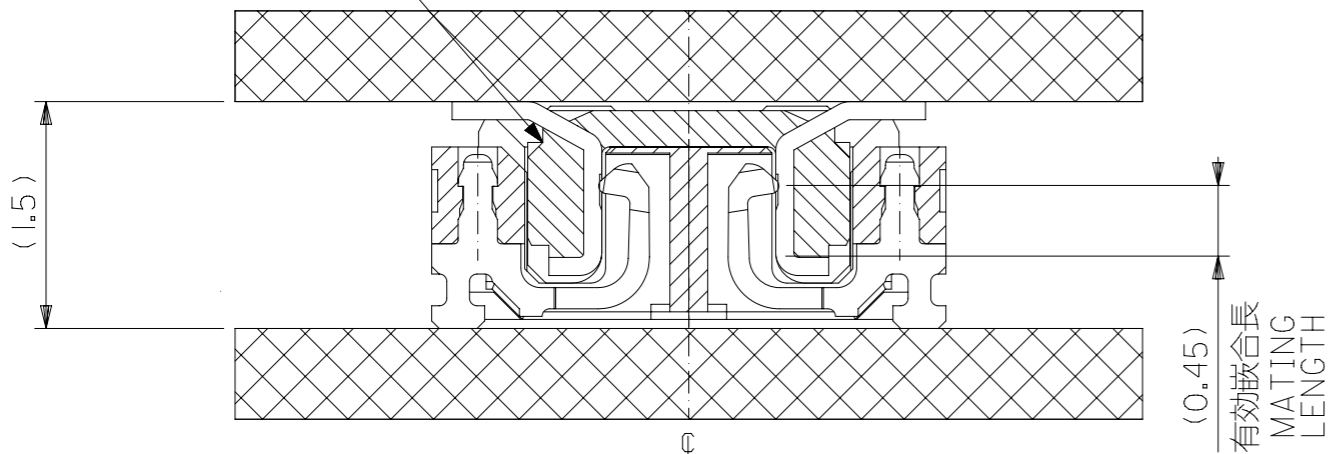
DIMENSION UNITS mm	SCALE NTS	CURRENT REV DESC:	molex		
GENERAL TOLERANCES (UNLESS SPECIFIED)					
ANGULAR TOL ± °	4 PLACES ±	EC NO: 739909	PRODUCT CUSTOMER DRAWING		
3 PLACES ±	2 PLACES ±	DRWN: RAJMOK 2023/02/21	DOCUMENT NUMBER	DOC TYPE	DOC PART
1 PLACE ±	0 PLACES ±	CHK'D: HSHIMOYAMA 2023/02/23	SD-51338-003	PSD	001
INITIAL REVISION:			REVISION	K	
DRWN: MNINOMIYA 2004/03/31			SHEET NUMBER		
APPR: MSASAO 2004/04/02			SEE TABLE	GENERAL MARKET	1 OF 2
DRAFT WHERE APPLICABLE MUST REMAIN WITHIN DIMENSIONS		THIRD ANGLE PROJECTION	DRAWING	SERIES	MATERIAL NUMBER
			A3-SIZE	51338	CUSTOMER

MATE : 51338 WITH 55909

MATE : 51338 WITH 501745

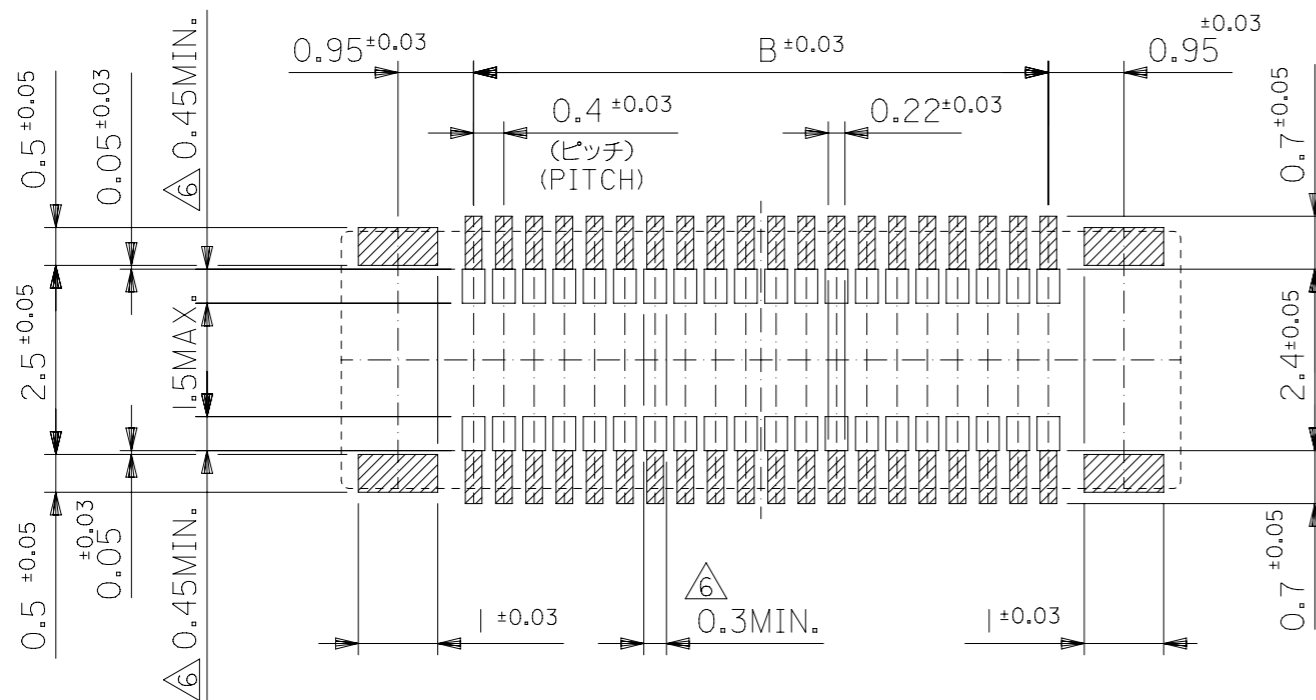
嵌合相手
MATE WITH
55909-****

嵌合相手
MATE WITH
501745-0**1



嵌合断面図 (参考)
MATED DRAWING (REFERENCE)

嵌合断面図 (参考)
MATED DRAWING (REFERENCE)

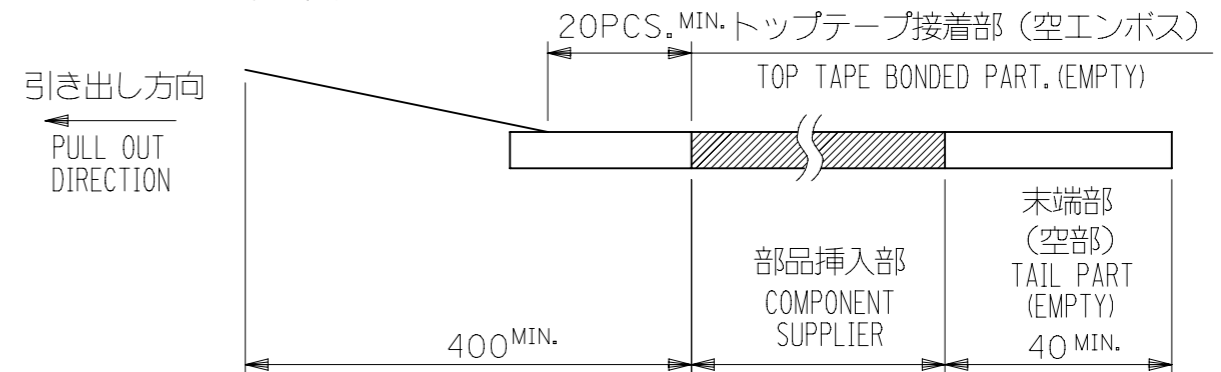


参考基板レイアウト (マウント面)
P.C. BOARD PATTERN DIMENSION. (REFERENCE)
(MOUNTING AREA)

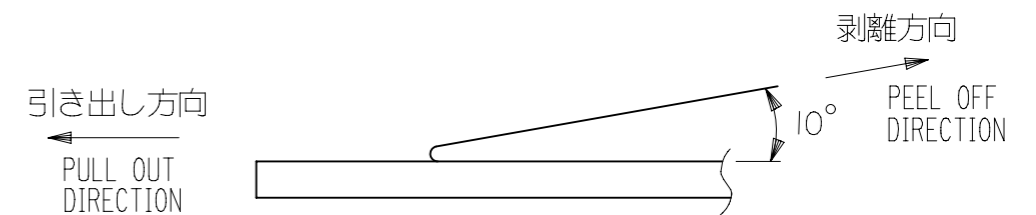
THIS DRAWING CONTAINS INFORMATION THAT IS PROPRIETARY TO MOLEX ELECTRONIC TECHNOLOGIES, LLC AND SHOULD NOT BE USED WITHOUT WRITTEN PERMISSION		CURRENT REV DESC:			
DIMENSION UNITS	SCALE				
mm	NTS			0.4 B-TO-B CONN. H = 1.5 / 2.0 J-BEND REC.	
GENERAL TOLERANCES (UNLESS SPECIFIED)		EC NO: 739909		PRODUCT CUSTOMER DRAWING	
ANGULAR TOL	± °	DRWN: RAJMOK 2023/02/21		DOCUMENT NUMBER	
4 PLACES	±	CHK'D: HSHIMOMIYAMA 2023/02/23		SD-51338-003	
3 PLACES	±	APPR: YNAITO 2023/02/23		DOC TYPE DOC PART REVISION	
2 PLACES	±	INITIAL REVISION:		PSD 001 K	
1 PLACE	±	DRWN: MNINOMIYA 2004/03/31		MATERIAL NUMBER	
0 PLACES	±	APPR: MSASAO 2004/04/02		CUSTOMER	
DRAFT WHERE APPLICABLE MUST REMAIN WITHIN DIMENSIONS		THIRD ANGLE PROJECTION	DRAWING	SERIES	SHEET NUMBER
			A3-SIZE	51338	2 OF 2

NOTES

- 製品詳細寸法については製品単体図面を参照下さい。
DETAIL DIMENSIONS, SEE PRODUCT DRAWING.
- 梱包数量：2500個/リール
NUMBER OF CONNECTORS : 2500PCS/REEL
- リードテープ長さ LEAD TAPE LENGTH



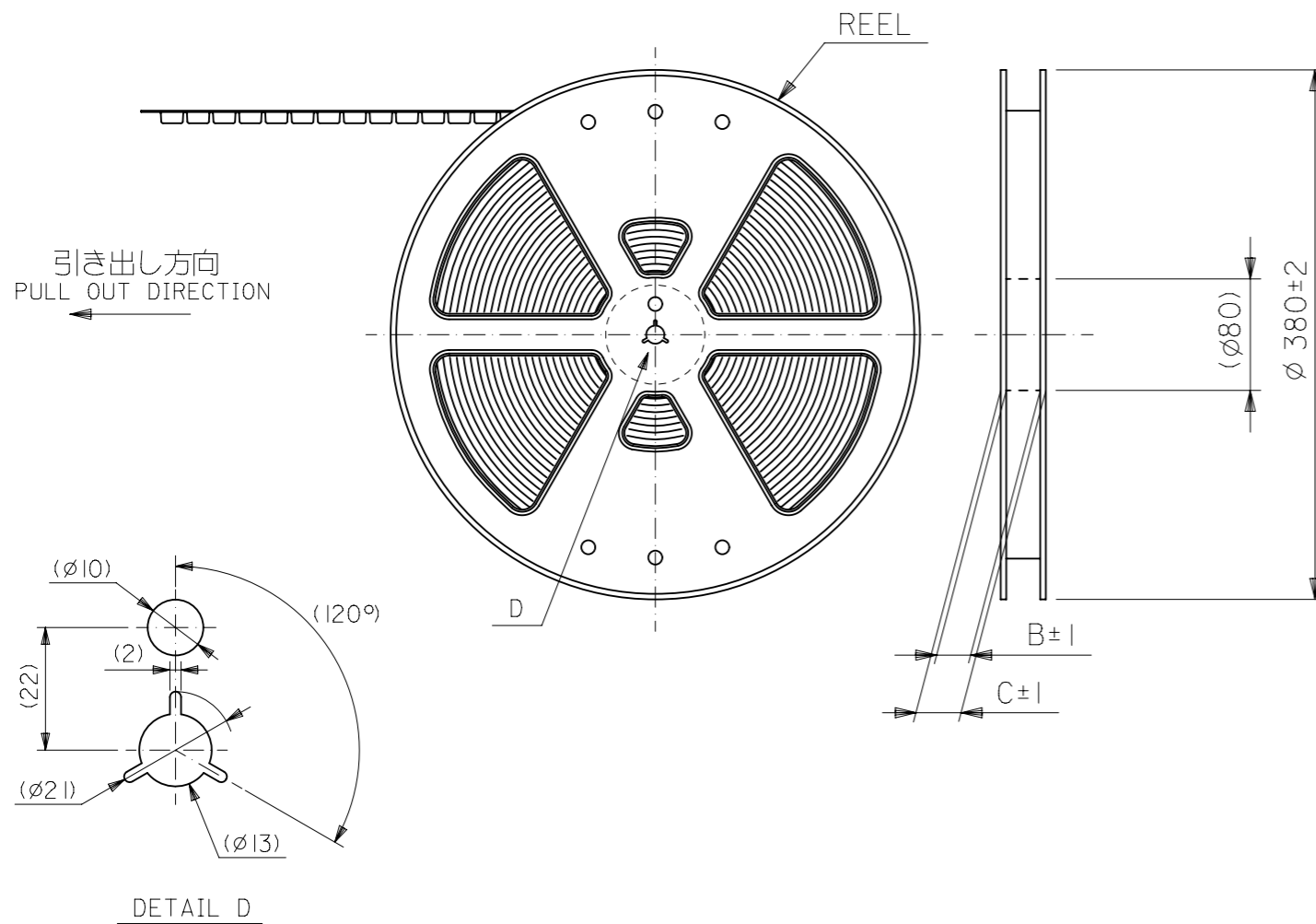
- トップテープの剥離強度：0.1N ~ 1.3N (10gf ~ 130gf)
(剥離方向は下図参照)
尚、本規格値は出荷時に適用。(但し、輸送時に剥離が発生しないこと。)
PEELING OFF FORCE OF TOP TAPE : 0.1N ~ 1.3N (10gf ~ 130gf)
(PEELING DIRECTION AS SHOWN IN FOLLOWING FIG.)
THIS REQUIREMENT SHOULD BE APPLIED AT SHIPMENT.
PEEL OFF SHOULD NOT BE ALLOWED, DURING TRANSPORTATION.



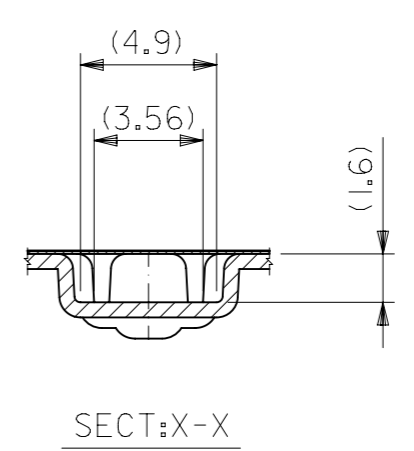
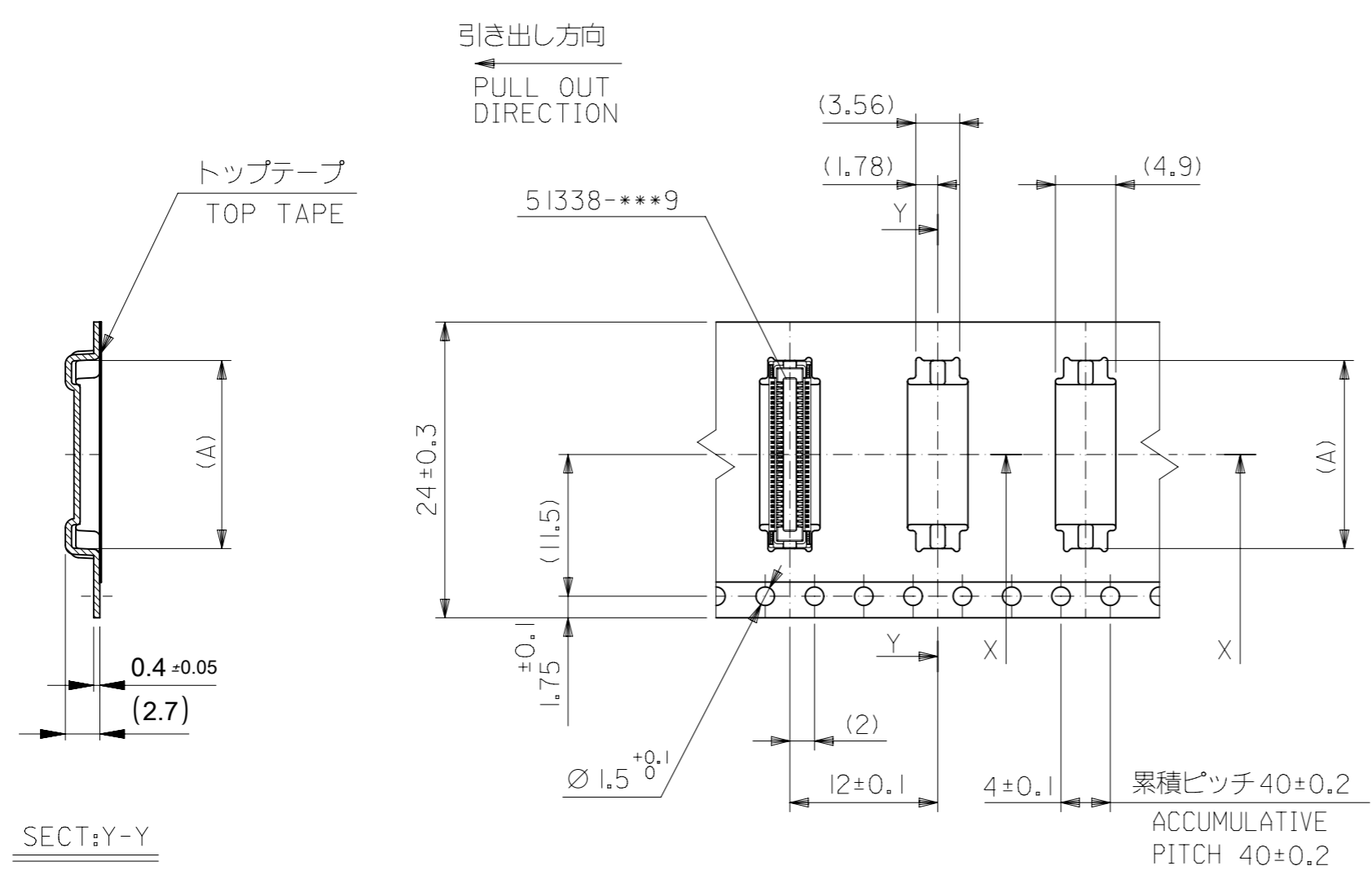
- 材料
キャリアテープ (CARRIER TAPE) : ポリスチレン (PS)
トップテープ (TOPTAPE) : PET
リール (REEL) : ポリスチレン (PS) <リサイクル材を含む>
POLYSTYRENE (PS) <RECYCLE MATERIAL CONTAINED>

- 本製品は 51338-***4 の鉛フリー品である。
THIS PRODUCT IS LEAD FREE OF 51338-***4.

- ELV 及び RoHS 適合品。
ELV AND RoHS COMPLIANT.



THIS DRAWING CONTAINS INFORMATION THAT IS PROPRIETARY TO MOLEX ELECTRONIC TECHNOLOGIES, LLC AND SHOULD NOT BE USED WITHOUT WRITTEN PERMISSION		CURRENT REV DESC:		molex	
DIMENSION UNITS	SCALE				
mm	NTS			0.4 B-TO-B CONN. H = 1.5 / 2.0 J-BEND REC.	
GENERAL TOLERANCES (UNLESS SPECIFIED)		EC NO: 638555		PRODUCT CUSTOMER DRAWING	
ANGULAR TOL	± °	DRWN: BKBAE 2020/05/15		DOCUMENT NUMBER	
4 PLACES	±	CHK'D: SHCHU 2020/05/29		SD-51338-004	
3 PLACES	±	APPR: SHCHU 2020/06/01		DOC TYPE	
2 PLACES	±	INITIAL REVISION:		DOC PART	
1 PLACE	±	DRWN: MNINOMIYA 2004/03/31		REVISION	
0 PLACES	±	APPR: MSASAO 2004/04/02		H	
DRAFT WHERE APPLICABLE MUST REMAIN WITHIN DIMENSIONS		THIRD ANGLE PROJECTION	DRAWING	SERIES	MATERIAL NUMBER
			A3-SIZE	51338	SEE CHART
					CUSTOMER
					GENERAL MARKET
					SHEET NUMBER
					1 OF 4

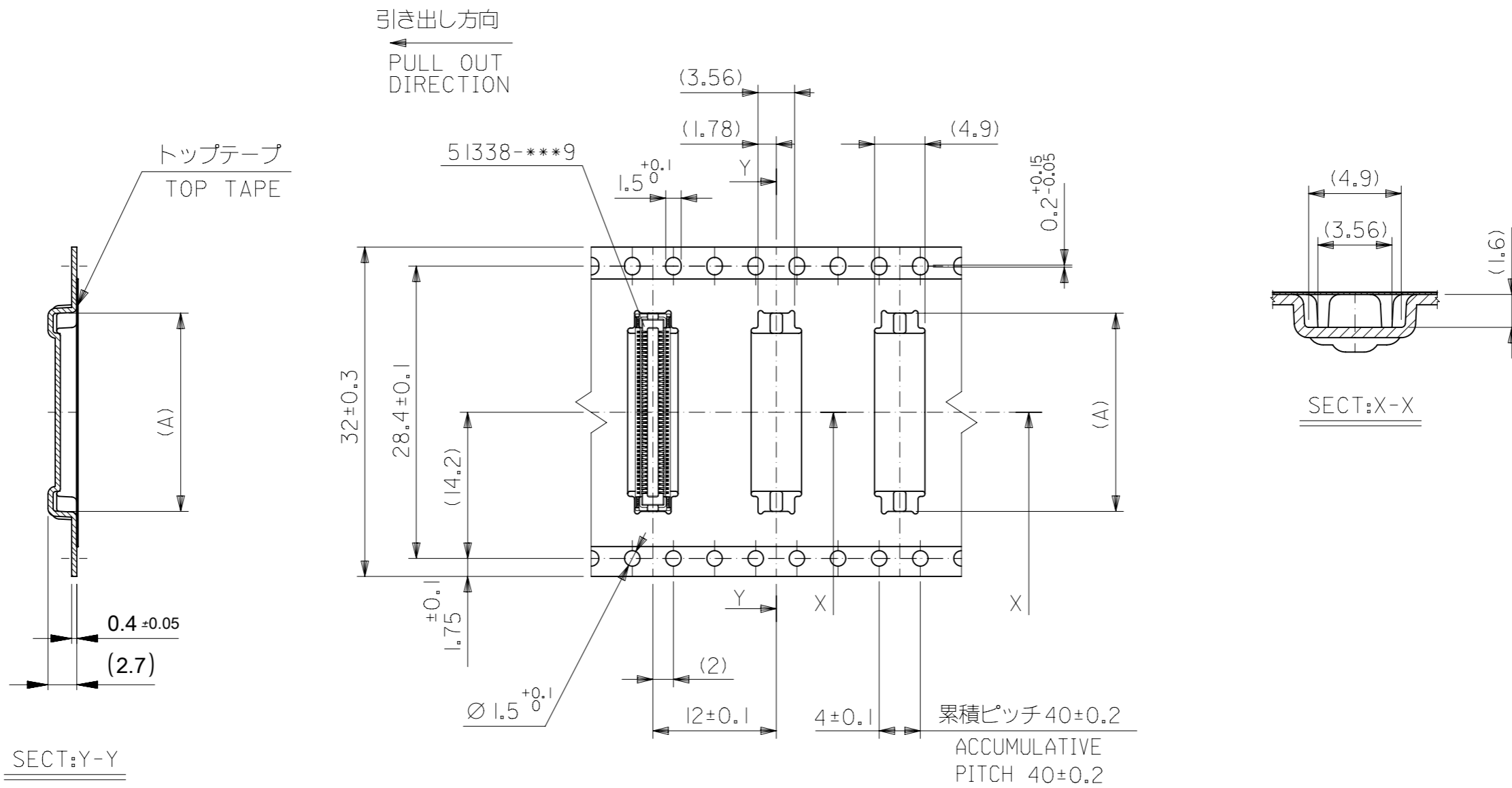


24mm幅キャリアテープ
24mm WIDTH CARRIER TAPE

24	29.4	25.4	16.06	51338-6473	64
			15.26	51338-0674	60
			14.06	51338-5473	54
			13.26	51338-0574	50
			12.06	51338-4473	44
			11.26	51338-0474	40
			10.06	51338-3474	34
			9.26	51338-0374	30
			8.46	51338-2674	26
			8.06	51338-2474	24
			7.66	51338-2274	22
			7.26	51338-0274	20
6.46	51338-1674	16			
5.66	51338-9974	12			
5.26	51338-9873	10			
キャリアテープ幅 CARRIER TAPE WIDTH	C	B	(A)	EMBOSSED PACKAGE ORDER NO. オーダー番号	CKT.

CONNECTOR SERIES No. 51338-***9

THIS DRAWING CONTAINS INFORMATION THAT IS PROPRIETARY TO MOLEX ELECTRONIC TECHNOLOGIES, LLC AND SHOULD NOT BE USED WITHOUT WRITTEN PERMISSION		CURRENT REV DESC:		molex	
DIMENSION UNITS	SCALE				
mm	NTS			0.4 B-TO-B CONN. H = 1.5 / 2.0 J-BEND REC.	
GENERAL TOLERANCES (UNLESS SPECIFIED)		EC NO: 638555		PRODUCT CUSTOMER DRAWING	
ANGULAR TOL	± °	DRWN: BKBAE 2020/05/15		DOCUMENT NUMBER	
4 PLACES	±	CHK'D: SHCHU 2020/05/29		SD-51338-004	
3 PLACES	±	APPR: SHCHU 2020/06/01		DOC TYPE	
2 PLACES	±	INITIAL REVISION:		DOC PART	
1 PLACE	±	DRWN: MNINOMIYA 2004/03/31		001	
0 PLACES	±	APPR: MSASAO 2004/04/02		REVISION	
DRAFT WHERE APPLICABLE MUST REMAIN WITHIN DIMENSIONS		THIRD ANGLE PROJECTION	DRAWING	SERIES	MATERIAL NUMBER
			A3-SIZE	51338	SEE CHART
					CUSTOMER
					GENERAL MARKET
					SHEET NUMBER
					2 OF 4

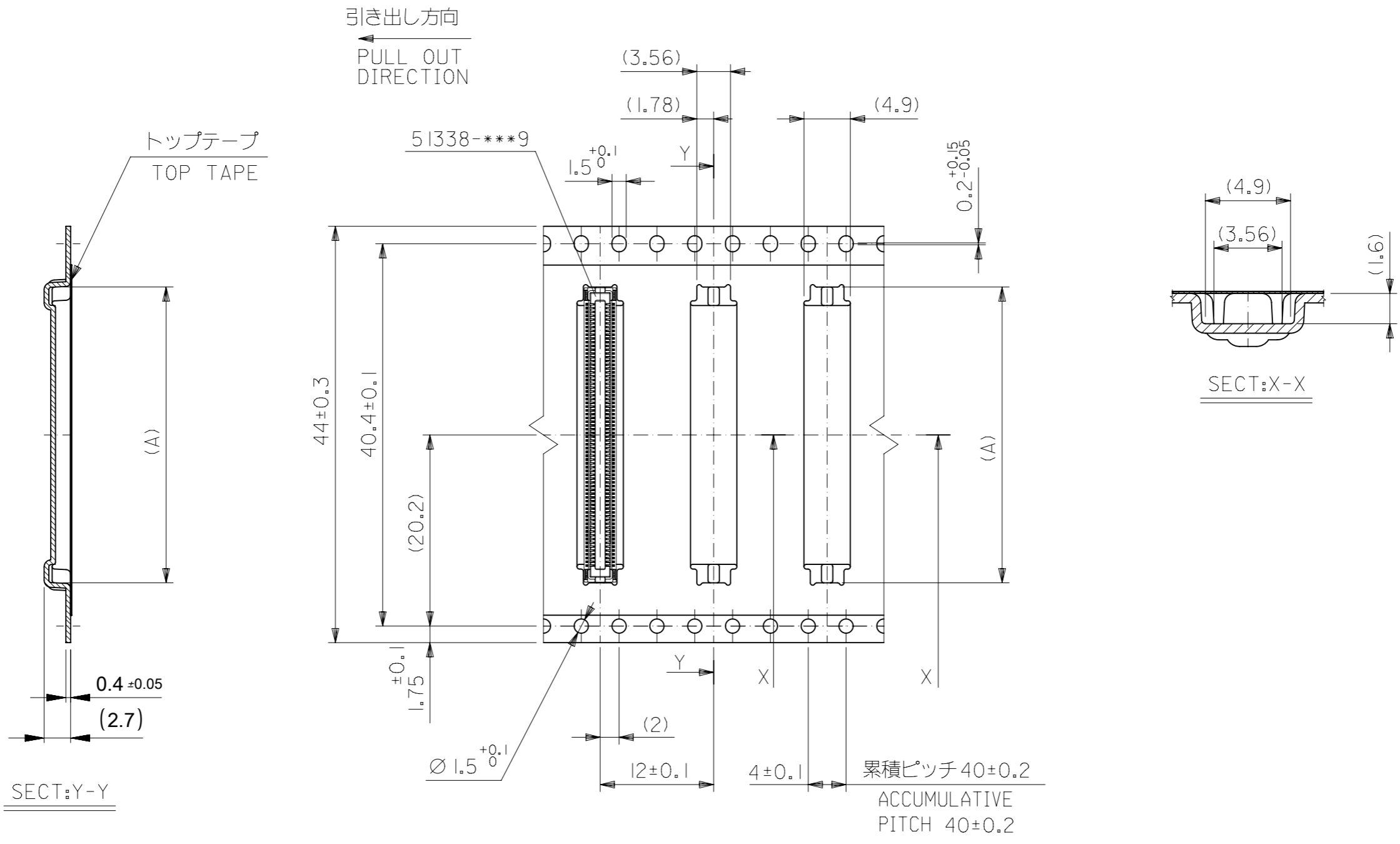


32mm幅キャリアテープ
32mm WIDTH CARRIER TAPE

32	37.4	33.4	21.26	51338-0974	90
			19.26	51338-0874	80
			17.26	51338-0774	70
キャリアテープ幅 CARRIER TAPE WIDTH	C	B	(A)	EMBOSSED PACKAGE ORDER NO. オーダー番号	CKT.

CONNECTOR SERIES No. 51338-***9

THIS DRAWING CONTAINS INFORMATION THAT IS PROPRIETARY TO MOLEX ELECTRONIC TECHNOLOGIES, LLC AND SHOULD NOT BE USED WITHOUT WRITTEN PERMISSION		CURRENT REV DESC:		molex	
DIMENSION UNITS	SCALE				
mm	NTS			PRODUCT CUSTOMER DRAWING	
GENERAL TOLERANCES (UNLESS SPECIFIED)		EC NO: 638555		DOCUMENT NUMBER	
ANGULAR TOL ± °		DRWN: BKBAE 2020/05/15		SD-51338-004	
4 PLACES ±		CHK'D: SHCHU 2020/05/29		DOC TYPE DOC PART REVISION	
3 PLACES ±		APPR: SHCHU 2020/06/01		PSD 001 H	
2 PLACES ±		INITIAL REVISION:		MATERIAL NUMBER	
1 PLACE ±		DRWN: MNINOMIYA 2004/03/31		CUSTOMER	
0 PLACES ±		APPR: MSASAO 2004/04/02		GENERAL MARKET	
DRAFT WHERE APPLICABLE MUST REMAIN WITHIN DIMENSIONS		THIRD ANGLE PROJECTION	DRAWING	SERIES	SHEET NUMBER
			A3-SIZE	51338	3 OF 4



44mm幅キャリアテープ
44mm WIDTH CARRIER TAPE

44	49.4	45.4	23.26	51338-1074	100
キャリアテープ幅 CARRIER TAPE WIDTH			C	B	(A)
				EMBOSSED PACKAGE	CKT.
				ORDER NO. オーダー番号	

CONNECTOR SERIES No. 51338-***9

THIS DRAWING CONTAINS INFORMATION THAT IS PROPRIETARY TO MOLEX ELECTRONIC TECHNOLOGIES, LLC AND SHOULD NOT BE USED WITHOUT WRITTEN PERMISSION		CURRENT REV DESC:		molex	
DIMENSION UNITS	SCALE				
mm	NTS			PRODUCT CUSTOMER DRAWING	
GENERAL TOLERANCES (UNLESS SPECIFIED)		EC NO: 638555		DOCUMENT NUMBER	
ANGULAR TOL ± °		DRWN: BKBAE 2020/05/15		SD-51338-004	
4 PLACES ±		CHK'D: SHCHU 2020/05/29		DOC TYPE	
3 PLACES ±		APPR: SHCHU 2020/06/01		PSD	
2 PLACES ±		INITIAL REVISION:		DOC PART	
1 PLACE ±		DRWN: MNINOMIYA 2004/03/31		001	
0 PLACES ±		APPR: MSASAO 2004/04/02		H	
DRAFT WHERE APPLICABLE MUST REMAIN WITHIN DIMENSIONS		THIRD ANGLE PROJECTION	DRAWING	SERIES	MATERIAL NUMBER
			A3-SIZE	51338	SEE CHART
					CUSTOMER
					GENERAL MARKET
					SHEET NUMBER
					4 OF 4