

注記 NOTES

1. 使用材料 MATERIAL
- ハウジング : 46ナイロン, UL94V-0
HOUSING : 46NYLON
- アクチュエータ : PPS, UL94V-0
ACTUATOR
- ターミナル : リン青銅, 金メッキ (t=0.2)
TERMINAL : PHOS-BRO, GOLD PLATED
- 金具 : リン青銅, 錫メッキ (t=0.2)
FITTING NAIL : PHOS-BRO, Sn PLATED
- △ パターンはくり止め用金具
FITTING NAIL FOR PREVENTION OF PEELING OF P.C.B. PATTERN.
- △ ソルダータール半田付け面のズレ量、及び金具半田付け面のズレ量は、基準面 Y に対し上方向 0.05 MAX.、下方向 0.2 MAX. とし、相互のバラツキ量は 0.15 MAX. とする。
MISALIGNMENT OF SOLDER TAILS AND FITTING NAILS FROM Y
UPPER DIRECTION: 0.05 MAX., LOWER DIRECTION: 0.2 MAX.
OFFSET BETWEEN UPPER AND LOWER: 0.15 MAX.
- △ 偶数極に適用。
APPLY FOR EVEN CIRCUIT.
- △ 18種以上は2ヶ所、10~16種はハウジングセンター上に1ヶ所とする。
18 CKTS & MORE THAN 18 CKTS PLACED 2 POINT.
10~16 CKTS PLACED 1 POINT ON HOUSING CENTER.
6. 本製品は 52893シリーズの金メッキ品である。
THIS PRODUCT IS Au PLATING OF 52893 SERIES.

15.3	15.5	14.5	19.6	52893-3058	30
13.3	13.5	12.5	17.6	-2658	26
12.3	12.5	11.5	16.6	-2458	24
11.3	11.5	10.5	15.6	-2258	22
10.3	10.5	9.5	14.6	-2058	20
9.3	9.5	8.5	13.6	-1858	18
8.8	9.0	8.0	13.1	-1758	17
8.3	8.5	7.5	12.6	-1658	16
7.8	8.0	7.0	12.1	-1558	15
6.3	6.5	5.5	10.6	-1258	12
5.3	5.5	4.5	9.6	-1058	10
4.3	4.5	3.5	8.6	52893-0858	8
D	C	(B)	A	MATERIAL NO.	極数 CIRCUIT

REVISED EC NO: J2006-1389 DRWN: NABE1 2005/10/31 CHKDK: TOYODA 2005/11/01 APPR: NUKITA 2005/11/04	DESCRIPTION	GENERAL TOLERANCES (UNLESS SPECIFIED)		DIMENSION STYLE MM ONLY		SCALE ---	DESIGN UNITS METRIC	THIRD ANGLE PROJECTION	
		10 UNDER	±0.2	DRAWN BY M. NABE1	DATE '05/06/07	TITLE 0.5 FPC CONN ZIF EO HSG ASSY BTM CONT -LEAD FREE-			
		10 OVER 30 UNDER	±0.25	CHECKED BY K. TOYODA	DATE '05/06/07	MOLEX MOLEX INCORPORATED			
		30 OVER	±0.3	APPROVED BY N. UKITA	DATE '05/06/07				
		ANGULAR	±3 °	MATERIAL NO.		DOCUMENT NO. SD-52893-044	SHEET NO. 1 OF 2		
DRAFT WHERE APPLICABLE MUST REMAIN WITHIN DIMENSIONS		SIZE A3	THIS DRAWING CONTAINS INFORMATION THAT IS PROPRIETARY TO MOLEX INCORPORATED AND SHOULD NOT BE USED WITHOUT WRITTEN PERMISSION						

10 9 8 7 6 5 4 3 2 1

F

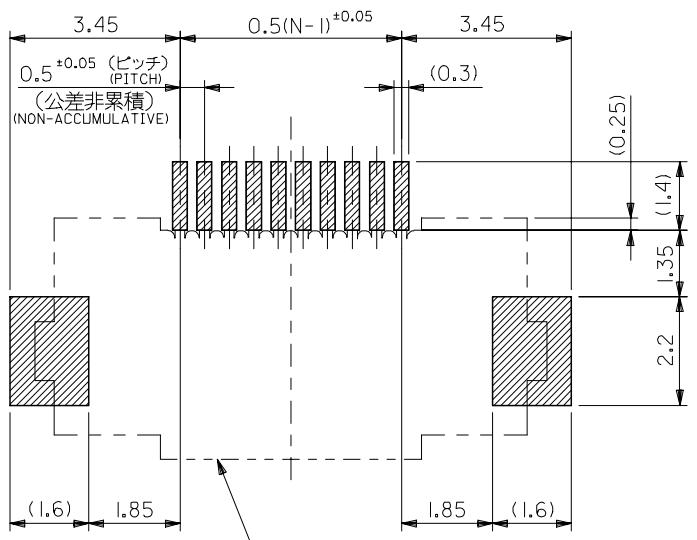
E

D

C

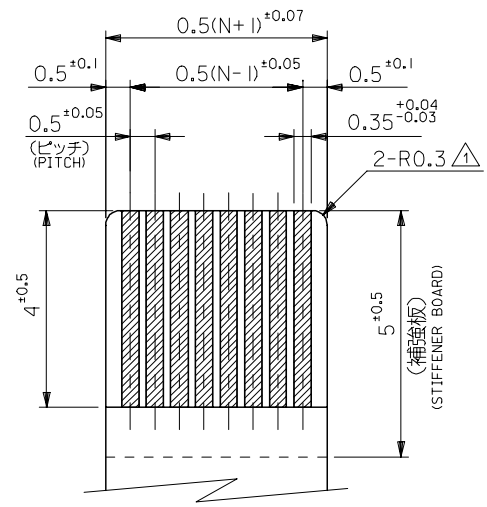
B

A

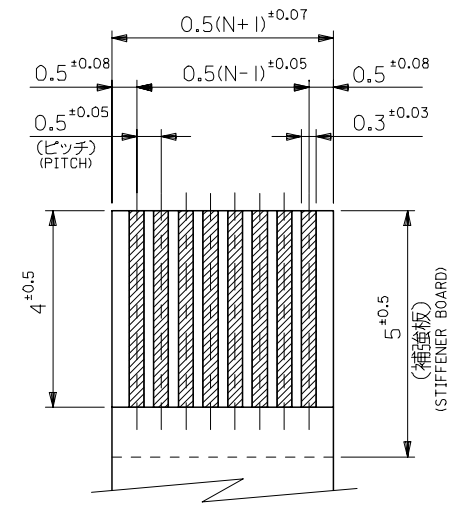


コネクタ位置
CONNECTOR POSITION

参考基板レイアウト
P.C. BOARD PATTERN
DIMENSION (REF.)
(マウント面)
(MOUNTING SIDE)



適合FPC推奨寸法
APPLICABLE FPC
RECOMMENDED DIMENSION
(仕上がり厚さ: 0.3 ± 0.03)
(THICKNESS: 0.3 ± 0.03)



適合FPC推奨寸法
APPLICABLE FPC
RECOMMENDED DIMENSION
(仕上がり厚さ: 0.3 ± 0.03)
(THICKNESS: 0.3 ± 0.03)

FPCについて:

打抜き方向は、導体側から補強板側を推奨いたします。
補強フィルム材質は、ポリイミドを推奨いたします。
接着剤は、熱硬化接着剤を推奨いたします。

ABOUT FPC:

RECOMMENDED PUNCHER DIRECTION: FROM CONDUCTOR SIDE TO STIFFENER BOARD SIDE.

RECOMMENDED MATERIAL:

STIFFENER FILM: POLYIMIDE
BONDING AGENT: THERMOSETTING BONDING AGENT

注記 NOTES

△ R.O. 3は、FPCの導体部にかからないこと。
R.O.3 MUST NOT BE OVERLAPPED TO PATTERN OF FPC.

REVISED EC NO: J2006-1389 DRWN: MABEI 2005/10/31 CHKD: KTOYODA 2005/11/01 APPR: NUKITA 2005/11/04	GENERAL TOLERANCES (UNLESS SPECIFIED)		DIMENSION STYLE MM ONLY		SCALE ---	DESIGN UNITS METRIC	MODEL NO. 52893-**x58	THIRD ANGLE PROJECTION
	10 UNDER	± 0.2	DRAWN BY M. NABEI	DATE '05/06/07	TITLE 0.5 FPC CONN ZIF EO HSG ASSY BTM CONT -LEAD FREE-			
	10 OVER 30 UNDER	± 0.25	CHECKED BY K. TOYODA	DATE '05/06/07	MOLEX INCORPORATED			
	30 OVER	± 0.3	APPROVED BY N. UKITA	DATE '05/06/07	DOCUMENT NO. SD-52893-044			
	ANGULAR ± 3 °	DRAFT WHERE APPLICABLE MUST REMAIN WITHIN DIMENSIONS		MATERIAL NO. SEE CHART		SHEET NO. 2 OF 2		
	THIS DRAWING CONTAINS INFORMATION THAT IS PROPRIETARY TO MOLEX INCORPORATED AND SHOULD NOT BE USED WITHOUT WRITTEN PERMISSION							