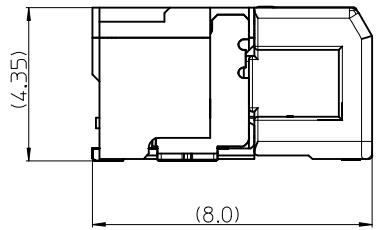
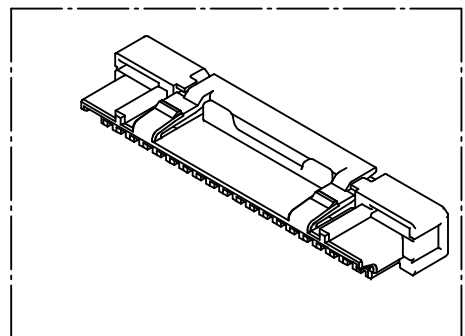
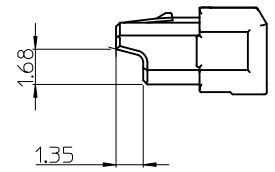
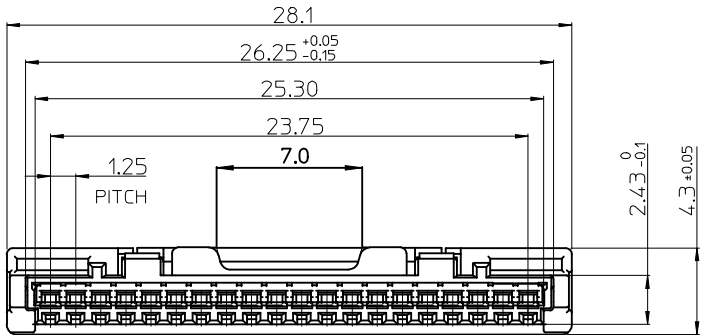


TERMINAL ASSEMBLY DRAWING
[REFERENCE]

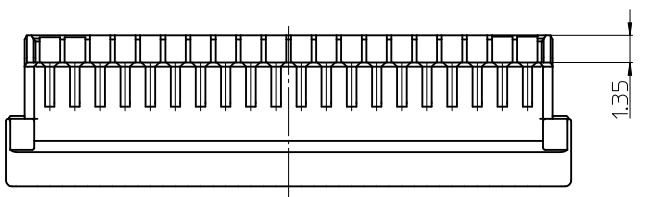
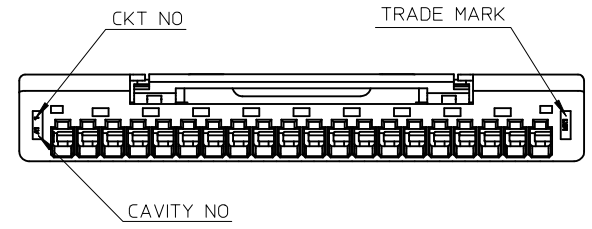


MATED WITH HEADER ASSEMBLY
[REFERENCE]



NOTES.

1. MATED WITH : 104091-2020
2. MATERIAL : LCP, VECTRA E471i
GLASS FILLED, UL94V-0
HALOGEN FREE, NATURAL COLOR
3. APPLICABLE TERMINAL : 104521-6001
4. PRODUCT SPECIFICATION : PS-104091-001



RELEASED
EC NO: KOR2012-0022
DRWN: JHPARK01 2011/09/23
CHKD:
APPR: YUNSIKKIM 2011/09/30

REV	DESCRIPTION
A	

QUALITY SYMBOLS	GENERAL TOLERANCES (UNLESS SPECIFIED)	
	mm	INCH
▽=0	4 PLACES ± ---	± ---
▽=0	3 PLACES ± ---	± ---
	2 PLACES ± 0.15	± ---
	1 PLACE ± 0.2	± ---
	ANGULAR ± 1 °	
	DRAFT WHERE APPLICABLE MUST REMAIN WITHIN DIMENSIONS	

DIMENSION STYLE	
MM ONLY	
DRAWN BY	DATE
JHPARK01	2011/09/23
CHECKED BY	DATE
SHCHU	2011/09/23
APPROVED BY	DATE
YUNSIKKIM	2011/09/30
MATERIAL NO.	
1040922010	

SCALE	DESIGN UNITS	THIRD ANGLE PROJECTION
4:1	METRIC	THIRD ANGLE PROJECTION
TITLE		
1.25 W-T-B CONN. PLUG HOUSING-20P		
MOLEX INCORPORATED		SHEET NO.
DOCUMENT NO.		1 OF 01
THIS DRAWING CONTAINS INFORMATION THAT IS PROPRIETARY TO MOLEX INCORPORATED AND SHOULD NOT BE USED WITHOUT WRITTEN PERMISSION		

ORDER NO 104092-2010